

Dell™ Latitude™ C/Port II APR

System Information Guide

Příručka k zařízení

Systeminformation

Systeeminformatiegids

Järjestelmätiedot

Guide d'information sur le système

Systeminformationshandbuch

Informazioni di sistema

Veiledning for systeminformasjon

Przewodnik – informacje o systemie

Информационное руководство по системе

Guía de información del sistema

Systeminformationsguide

מדריך מידע מערכת

Model PRX



www.dell.com | support.dell.com

Dell™ Latitude™ C/Port II APR

System Information Guide

Notes, Notices, and Cautions



NOTE: A NOTE indicates important information that helps you make better use of your computer.



NOTICE: A NOTICE indicates either potential damage to hardware or loss of data and tells you how to avoid the problem.



CAUTION: A CAUTION indicates a potential for property damage, personal injury, or death.

Information in this document is subject to change without notice.

© 2001 Dell Computer Corporation. All rights reserved.

Reproduction in any manner whatsoever without the written permission of Dell Computer Corporation is strictly forbidden.

Trademarks used in this text: *Dell*, the *DELL* logo, *Latitude*, and *DellWare* are trademarks of Dell Computer Corporation; *3Com* is a trademark of 3Com Corporation; *Microsoft*, *Windows*, and *Windows NT* are registered trademarks of Microsoft Corporation.

Other trademarks and trade names may be used in this document to refer to either the entities claiming the marks and names or their products. Dell Computer Corporation disclaims any proprietary interest in trademarks and trade names other than its own.

This product incorporates copyright protection technology that is protected by method claims of certain U.S. patents and other intellectual property rights owned by Macrovision Corporation and other rights owners. Use of this copyright protection technology must be authorized by Macrovision Corporation, and is intended for home and other limited viewing uses only unless otherwise authorized by Macrovision Corporation. Reverse engineering or disassembly is prohibited.

October 2001

P/N 4G281

Rev. A01

System Information Guide

This document contains getting started, safety, regulatory, and warranty information about your Dell Latitude C/Port II Advanced Port Replicator (APR) as well as information about other Dell documents that are available and how to obtain them.

Other Documents Available

- Documentation updates, which are sometimes included with your docking device to describe changes to your docking device or software. Always read these updates *before* consulting any other documentation because the updates often contain the latest information.
- Documentation included with any options you purchase separately from your docking device. This documentation includes information that you need to configure and install these options in your docking device.

Getting Help

Dell provides a number of tools to help you if your docking device does not perform as expected. For information on these help tools, see the “Getting Help” section in the computer’s *User’s Guide*.

Docking Device Overview

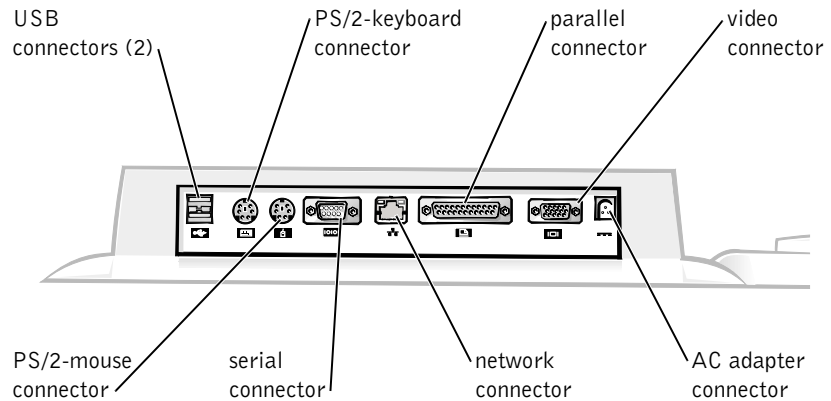


NOTE: Alert your network administrator before you connect the docking device to a network.

You must attach an AC adapter to the docking device before you dock the computer to the docking device and turn on the computer. The AC adapter powers the docking device and the computer at the same time. Any battery installed in the computer charges while you use the docking device.




NOTICE: Always use the Dell PA-6 AC adapter that came with the docking device. If you use any other commercially available AC adapter—or the AC adapter from older models of Dell computers—you may damage the docking device or the computer.

I/O Panel of the Docking Device








The “External I/O Connectors” table shows the icons for each of the connectors on the back of the APR and indicates the type of external device(s) that you can attach to each connector.

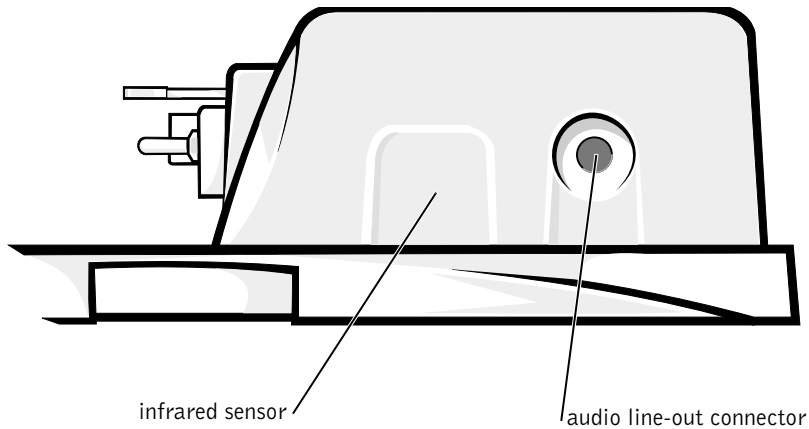
External I/O Connectors

Connector Icon	Connector Description
	One or two USB devices, such as a USB mouse, connect to the dual USB connector.
	An external PS/2-style keyboard or external numeric keypad connects to the PS/2 keyboard connector.
	An external PS/2-compatible mouse connects to the PS/2 mouse connector.

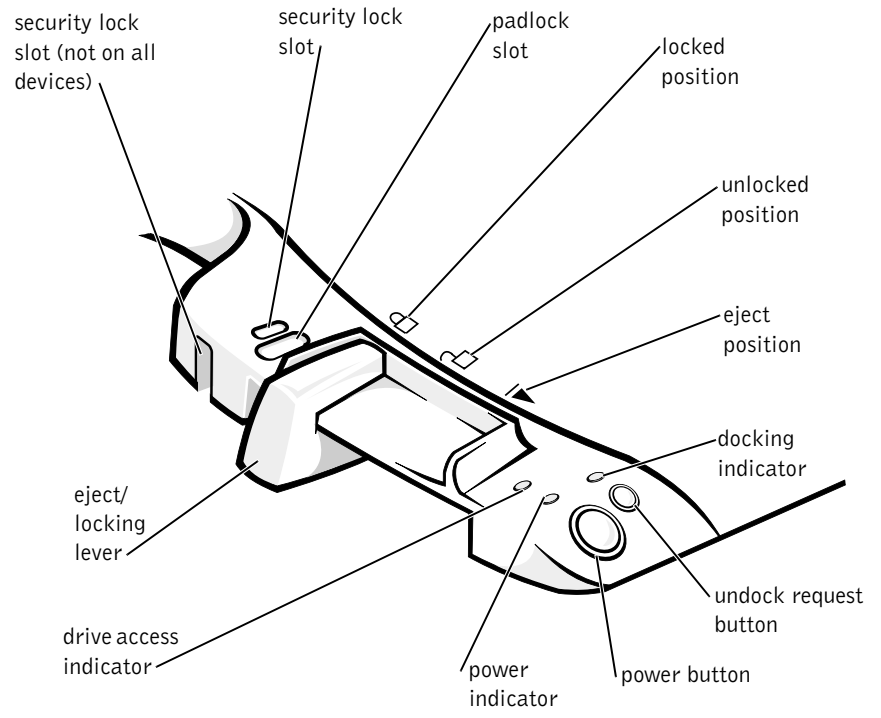
External I/O Connectors

	A serial device, such as a serial mouse or external modem, connects to the serial port connector.
	A network interface cable connects to the NIC connector.
	A parallel device, such as a printer, connects to the parallel port connector.
	An external monitor connects to the video connector.
	The AC adapter that came with the APR connects to the AC adapter connector.

Audio Connectors and Infrared Sensor



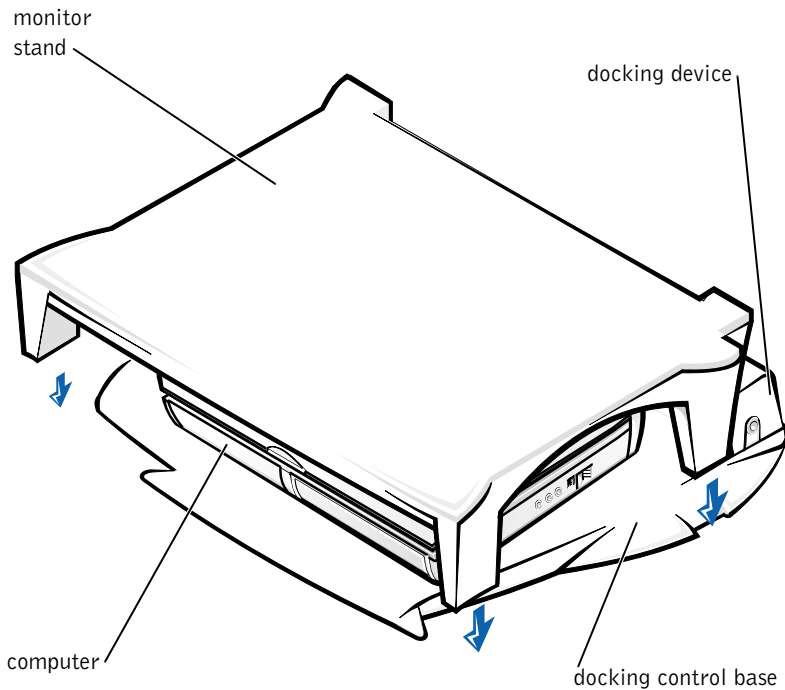
Docking Control Base Controls and Indicators



Monitor Stand

➡ NOTICE: The stand supports monitors that weigh up to 45.3 kilograms (kg) (100 pounds [lb]). Heavier monitors may damage the stand, computer, and docking device.

Docking Device With the Monitor Stand



NOTE: Be sure that the back legs on the monitor stand engage the slots on either side of the docking control base.

Before Docking the Computer

If your computer is running the Microsoft® Windows® 9x, Windows NT®, or Windows Millennium (Me) operating system, you must first check your computer for existing docking drivers. If your computer does not have the docking drivers, install them before you dock the computer for the first time. To install the docking drivers, perform the steps in “Installing the Docking Drivers.”



NOTE: If your computer is running the Windows XP or Windows 2000 operating system, the drivers are installed automatically and you do not need to perform the steps in “Installing the Docking Drivers.” Go to “Docking Your Computer.”

Check Your Computer for Existing Docking Drivers

- 1 Double-click **My Computer**.
- 2 Double-click **Control Panel**.
- 3 Double-click **Add/Remove Programs**.
- 4 Locate the correct docking drivers from the list of programs.

For *Windows 9x and Windows Me*, check for the driver with **Quick Install** in the name. For example: Dell Dock Quick Install for Windows.

For *Windows NT*, check for **NT Softex Docking Services**.

If your computer does not have the docking drivers, go to the next section, “Installing the Docking Drivers.” If your computer has the docking drivers, go to “Docking Your Computer.”

Installing the Docking Drivers

You can install your docking drivers in one of the following ways:

- Install the drivers from the *ResourceCD* or *Drivers and Utilities CD* that came with your computer or docking device.
- Download the drivers from the Dell support website.

Installing the Docking Drivers From the *ResourceCD* or *Drivers and Utilities CD*

- 1 Insert the *ResourceCD* or *Drivers and Utilities CD* into the CD drive.

In most cases, the CD should start running automatically. If it does not, start Windows Explorer, click your CD drive directory to display the CD contents, and then double-click the **autorcd** application file. If a welcome screen appears, click **Next**. The first time that you run the CD, it might prompt you to install some setup files. Click **OK** and follow the instructions on the screen to continue.

- 2 From the **Language** pull-down menu on the toolbar, select your preferred language for the driver (if available).

A welcome screen appears.

- 3 Click **Next**.

- 4 Under **Search Criteria**, select the appropriate categories from the **System Model** and **Operating System** pull-down menus.

*If your system is running Windows 9x or Windows Me, select System Utilities from the **Device Type** pull-down menu, and then select **Drivers** from the **Topic** pull-down menu.*

*If your system is running Windows NT, select System Utilities from the **Device Type** pull-down menu, and then select **Utilities** from the **Topic** pull-down menu.*

A link or links appear(s) for the specific drivers or utilities used by your computer.

- 5 *If your system is running Windows 9x or Windows Me, click the link for the **Dell Dock QuickInstall** utility.*

The **Dell Dock QuickInstall** file is a utility that installs the required docking drivers on your computer.

*If your computer is running Windows NT, click the link for **Softex Docking Services**.*

- 6 Click the **Install** button to start the automatic installation. At the welcome screen, follow the screen prompts to complete the installation.



NOTE: Some ResourceCDs may require users to navigate through folders to obtain the correct driver. For complete instructions on reinstalling drivers, see your *User's Guide*.

Installing the Docking Drivers From the Dell Support Website

- 1 Go to the Dell support website at <http://support.dell.com>. If you are visiting the website for the first time, specify your country by clicking the map that appears.

The **Welcome to support.dell.com** page opens.

- 2 Enter your docking device information, and then click **Go!**

Click **Downloads For Your Dell**.

The **Downloads For Your Dell** window appears, including a short form for you to fill out.

- 3 Enter your system service tag number, or select your Dell system.
- 4 Select your operating system and operating system language.
- 5 Select **System and Configuration Utilities** as your download category.
- 6 Click **Go!**
- 7 *If your computer is running Windows 9x or Windows Me*, locate and click the link for the **Dell Dock QuickInstall** utility.


If your computer is running Windows NT, locate and click the link for **Softex Docking Services**.

- 8 Follow the instructions on the screen to download and install the required drivers.
- 9 After you download the files and before you install the drivers, make sure to view the **readme.txt** file that is included in the downloaded files for important information about the installation.


Docking Your Computer

If you attach a monitor to the docking device and turn the monitor on, the screen image appears on the monitor. To switch the image to the computer display, or to both the monitor and the computer display, press <Fn><F8>.

When you dock the computer to the docking device and turn the computer on, the green power light on the docking control base lights up (see “Docking Control Base Controls and Indicators”).

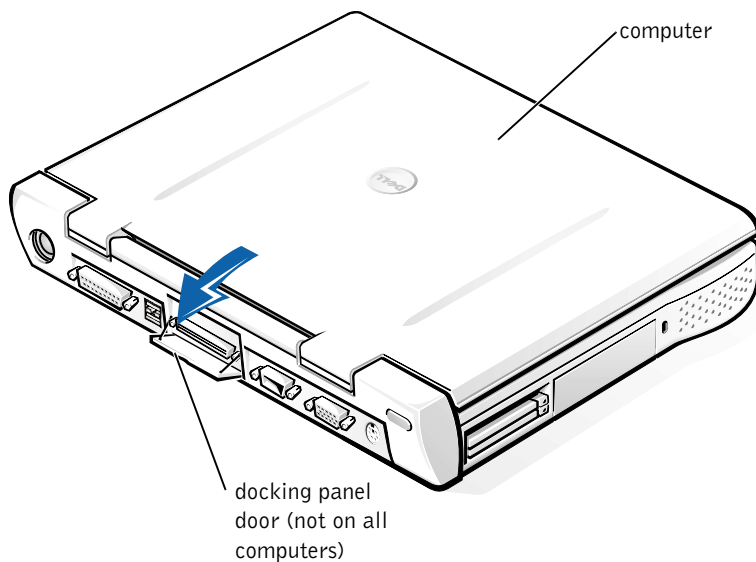
 **NOTICE:** To avoid losing data, save any open files before you dock the computer.

- 1 Save all files, close and exit all application programs, exit the operating system, and turn off the computer.

 **NOTICE:** To avoid damaging the docking connector, open the docking panel door before you attempt to dock the computer to the docking device.

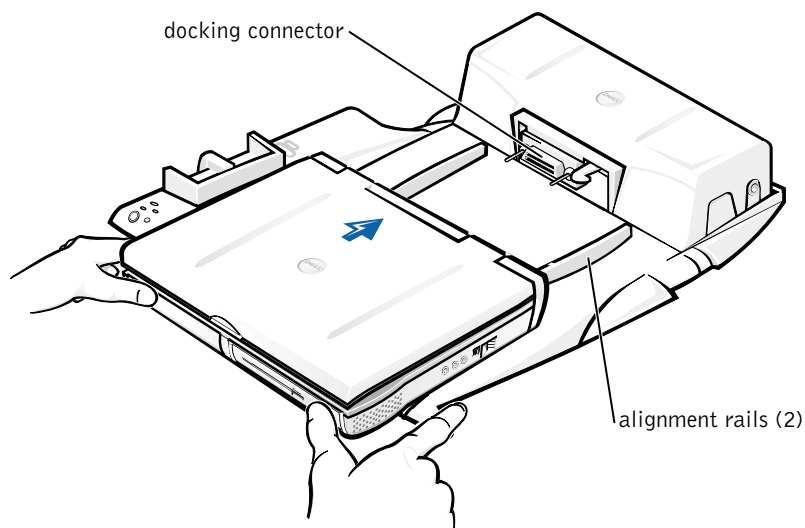
- 2 If the computer has a docking panel door, open the docking panel door on the back of the computer.

Docking Panel Door on the Computer



- 3 If you are using the docking device with a monitor stand, close the computer display.
- 4 Ensure that the eject/locking lever is in the unlocked position.
- 5 Dock the computer to the docking device as follows:

Docking the Computer



- a Horizontally center the computer on the APR platform, with the back of the computer facing the docking device docking connector, as shown in “Docking the Computer.”
- b Slide the computer toward the connector until you feel the grooves on the bottom of the computer engage with the alignment rails.

➔ **NOTICE:** If you attempt to push the computer all the way into the APR without engaging the alignment rails, you may irreparably damage the docking connector on the computer.

➔ **NOTICE:** Do not pick up the computer or the docking device separately when they are connected because you may damage the connectors on the computer and the docking device.

➔ **NOTICE:** If you are using a monitor with the monitor stand, remove the monitor from the stand before moving the docking control base into place.

- c Gently push the computer forward until the docking connector is fully engaged.

Docking for the First Time With Windows XP and Windows 2000

- 1 Dock and turn on your computer.
- 2 Press <F2> during the system boot routine to view the system setup program.
- 3 Set **Docking IRQ** to **Optimized**.
- 4 Set **Universal Connect** to **Enabled**.
- 5 Exit the system setup program.

Your system will continue the boot process.

In Windows 2000, the **Add New Hardware Wizard** appears.



NOTE: *If your computer is running Windows XP, the operating system automatically installs the drivers. If your computer is running Windows 2000, the Add New Hardware Wizard automatically installs your drivers.*

Docking for the First Time With Windows Me

- 1 Dock and turn on your computer.
- 2 Press <F2> during the system boot routine to view the system setup program.
- 3 Set **Docking IRQ** to **Optimized**.
- 4 Set **Universal Connect** to **Enabled**.
- 5 Exit the system setup program.

Your system will continue the boot process.

The **Add New Hardware Wizard** appears.

- 6 Select **Search for the Best Driver for Your Device (Recommended)** and click **Next**.
- 7 Click **Next**.
- 8 Follow the prompts on the **Add New Hardware Wizard**.
- 9 Whenever prompted, select **Search for the Best Driver for Your Device (Recommended)** and click **Next**.
- 10 Continue to follow the prompts to complete the installation.

The Windows desktop appears and the installation is complete.

Docking for the First Time With Windows NT 4.0

- 1 Dock and turn on your computer.
- 2 Either press <F2> during the system boot routine, or press <Fn><F1> after your computer boots to view the system setup program.
- 3 Set **Docking IRQ** to **Optimized**.
- 4 Set **Universal Connect** to **Enabled**.
- 5 Exit the system setup program.
- 6 Press <Ctrl><Alt> to log on.

The **Docking Station Setup** window appears and indicates that the computer must be undocked to continue.
- 7 Click **OK** and wait for the computer to turn off.
- 8 Undock the computer (see “Undocking the Computer”).

The computer restarts automatically. If it does not, turn on the computer.
- 9 Click **Start** and select **Shut Down**.
- 10 Wait for the computer to turn off completely and redock the computer to the docking device.

The computer restarts automatically. If it does not, turn on the computer.
- 11 Press <Ctrl><Alt> to log on.

The computer automatically detects new devices.
- 12 When prompted, select **Install System Provided Driver for the Selected Device (Recommended)** and click **OK**.
- 13 Click **Continue** at the **Windows NT Setup** window.
- 14 Select **Install System Provided Driver for the Selected Device (Recommended)** and click **OK**.
- 15 Select the name of your network interface controller (NIC) from the drop down menu.

- 16 Select whether the network adapter should obtain an IP address from a server, or whether an IP address is specified.

If you do not know what to select, see your system administrator.

- 17 Follow the prompts to complete the installation.

The Windows desktop appears and the installation is complete.

The computer cannot enter suspend-to-disk mode while docked.

Docking for the First Time With Windows 98

- 1 Dock and turn on your computer.
- 2 Either press <F2> during the system boot routine, or press <Fn><F1> after your computer boots to view the system setup program.

- 3 Set **Docking IRQ** to **Optimized**.

- 4 Set **Universal Connect** to **Enabled**.

- 5 Exit the system setup program.

The computer detects new hardware.

- 6 Click **OK** at the **Configuration Setup** window.

The **Add New Hardware Wizard** appears.

- 7 Click **Next**.

- 8 Select **Search for the Best Driver for Your Device (Recommended)** and click **Next**.

- 9 Remove the check-mark next to each option and click **Next**.

A window appears, indicating that Windows is ready to install the best driver for your device.

- 10 Follow the prompts on the **Add New Hardware Wizard**.

- 11 Whenever prompted, select **Search for the Best Driver for Your Device (Recommended)** and click **Next**.

- 12 Continue to follow the prompts to complete the installation.

The Windows desktop appears and the installation is complete.

Docking for the First Time With Windows 95

- 1 Dock and turn on your computer.
- 2 Either press <F2> during the system boot routine, or press <Fn><F1> after your computer boots to view the system setup program.
- 3 Set **Docking IRQ** to **Optimized**.
- 4 Set **Universal Connect** to **Enabled**.
- 5 Exit the system setup program.
The computer automatically detects new hardware.
- 6 Click **Yes** at the **System Settings Change** window.
The computer restarts and automatically detects new hardware.
- 7 Click **OK** at the **Network** window.
- 8 Select the **Identification** tab at the next **Network** window.
- 9 Enter a **Computer Name** and **Workgroup** that will identify your computer on the network, and click **Close**.

If you are unsure what **Computer Name** and **Workgroup** to enter, check with your System Administrator.



NOTE: You must enter a **Computer Name** and **Workgroup** to proceed with the driver installation.

The computer automatically copies files and builds a driver information database.

- 10 Click **OK** at the **Configuration Setup** window.
- 11 Follow the prompts to complete the installation.
The Windows desktop appears and the installation is complete.



NOTE: To use the USB connectors, you must install the USB supplement from your *ResourceCD* in the **Win95\OSUpdate** directory. If you install the USB supplement, your computer cannot enter suspend mode. Dell recommends that you do not install the USB supplement unless you intend to use USB devices.

Updating Drivers in Windows XP and Windows 2000

To update drivers in Windows XP and Windows 2000:

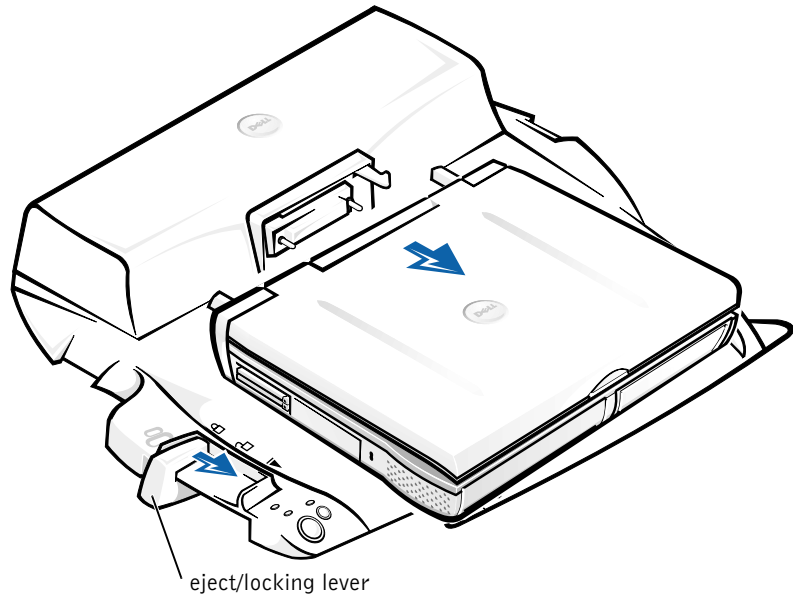
- 1 Right-click **My Computer** and click **Manage**. (*In Windows XP, click the **Start** button to access **My Computer**. In Windows 2000, **My Computer** is located on the Windows desktop.*)
- 2 In the **Computer Management** window, click **Device Manager**, and double-click **Network adapters**.
- 3 Double-click **3Com 3C920 Integrated Fast Ethernet Controller**.
- 4 Click the **Driver** tab.
- 5 Click **Update Driver...** and follow the prompts.

Updating Drivers in Windows Me

To update drivers in Windows Me:

- 1 Right-click **My Computer** on the desktop and click **Properties**.
- 2 In the **System Properties** window, click the **Device Manager** tab, and double-click **Network adapters**.
- 3 Double-click **3Com 3C920 Integrated Fast Ethernet Controller**.
- 4 Click the **Driver** tab.
- 5 Click **Update Driver...** and follow the prompts.

Undocking the Computer



- ➔ **NOTICE:** If the computer does not have power from a battery, the computer turns off when you undock it, and you will lose all unsaved data.
- ➔ **NOTICE:** Never undock the computer without first preparing the computer. If you undock before preparing the computer, you will lose data and the computer may not recover normal operation for several minutes, if at all.

To prepare the computer for undocking, perform one of these methods:

- Press <Fn><Esc> on the computer's keyboard (or <Scroll Lock><Esc> on an external keyboard).

Wait a few seconds for the power light on the computer to turn off.

- *In Windows XP*, click the **Start** button, and then click **Undock Computer**.

In Windows 95, Windows 98, Windows Me, or Windows 2000, click the **Start** button, and then click **Eject PC**.

In Windows NT, click the docking icon on the taskbar, and then click **Undock** to place the computer in suspend mode.

Wait a few seconds for the power light on the computer to turn off.

- Press the undock request button on the docking control base (see the figure “Docking Control Base Controls and Indicators”). Wait for the green docking light to turn off.

Securing the C/Port II APR

Security Features

The docking device has the following security features:

- An eject/locking lever that allows you to secure and eject your computer. The back position secures the computer to the C/Port II APR. The middle position allows you to use the docking device without securing it. The front position ejects the computer from the docking device. Push the eject/locking lever to the back position to use the padlock security lock and the security lock slot.
- A spring-loaded latch on the front of the base that fits into a security slot on the bottom of the computer secures the computer to the docking control base. Not all Dell computers have the security slot.
- A secured media-bay eject button that blocks removal of media bay devices.
- An immobilized catch latch to deter unauthorized computer removal.

Securing the C/Port II APR

Use one of the following methods to secure the docking device:

- Use a padlock alone or a padlock and looped security cable with the padlock slot (see “Docking Control Base Controls and Indicators”) on the docking device.

A padlock alone blocks the eject lever and makes it difficult to detach the computer from the docking device.

A security cable looped around a stationary object and used in conjunction with the padlock can help prevent the unauthorized movement of the computer and the C/Port II APR.

- Attach a commercially available antitheft device to the security lock slot (see “Docking Control Base Controls and Indicators”) on the docking device.

Antitheft devices usually include a segment of metal-stranded cable with an attached locking device and associated key. Dell recommends that you use a Kensington lock. For instructions on installing this kind of antitheft device, see the documentation that accompanied the device.

Dell Diagnostics

The Dell Diagnostics that came with your Dell Latitude computer includes tests that help you troubleshoot the controllers in your docking device.

The subtests in the **Network Interface** test group of the Dell Diagnostics verify the basic operation of the network controller in the docking device. They test the controller's internal functions, including read and write access to its registers and internal transmit and receive (loopback) capability.

The subtests in the **Serial/Infrared Ports** test group check the docking device's interface with external devices (such as a serial mouse or a printer). The subtests in this test group are not intended as a diagnostic test for the external device itself.

The subtests in the **USB** test group check the docking device's interface with external devices (such as a mouse). The subtests in this test group are not intended as a diagnostic test for the external device itself.

For complete instructions on using the Dell Diagnostics, see your computer's *User's Guide*.

Technical Specifications

Technical Specifications

Physical

Height:

With monitor stand	10.2 cm (4.0 inches)
Standalone	5.8 cm (2.3 inches)

Depth:

With monitor stand	39.0 cm (15.4 inches)
Standalone	35.8 cm (14.1 inches)

Width:

With monitor stand	40.9 cm (16.1 inches)
Standalone	37.5 cm (14.8 inches)

Weight:

With monitor stand	3.0 kg (6.5 lb)
Standalone	1.6 kg (3.5 lb)

Power

AC Adapter Input:

Voltage	100–200VAC, 50–60 Hz
Amperage	1.5 A

APR II Input:

Voltage	requires 20 VDC from AC Adapter
Amperage	3.5 A

Technical Specifications

I/O

Serial (DTE)	16550-compatible, 16-byte buffer connector
Parallel	unidirectional, bidirectional, or ECP connector
PS/2	two mini-DIN connectors
USB	two USB-compliant connectors
Infrared	infrared sensor compatible with IrDA Standards 1.1 (Fast IR) and 1.0
Audio line out	audio jack (for optional headphones)
Video	one connector
Network	one RJ45 connector
Docking (to connect to computer)	one connector

Ethernet Network Controller

Chip set	3Com [®] 3C920; 10/100 BASE-TX (PC99-compliant)
Data bus width	32-bit PCI host bus interface
IRQ	IRQ10

Safety and EMC Instructions: Portable Computers

The following information defines the meaning of *additional* symbols used *only* in the Safety and Electromagnetic Compatibility (EMC) Instructions.



Risk of explosion



Aircraft



Risk of fire



Use of this feature may be prohibited on aircraft



Risk of electric shock



Safety Instructions

General

- When setting up the APR for work, place it on a level surface.
- Do not attempt to service the APR yourself unless you are an authorized service technician. Always follow installation instructions closely.
- If you use an extension power cable with your AC adapter, ensure that the total ampere rating of the products plugged in to the extension power cable does not exceed the ampere rating of the extension cable.



- Do not push objects into air vents or openings of your computer. Doing so can cause fire or electric shock by shorting out interior components.



- Place the AC adapter in a ventilated area, such as a desk top or on the floor, when you use it to run the computer or to charge the battery. Do not cover the AC adapter with papers or other items that will reduce cooling; also, do not use the AC adapter inside a carrying case.



- Do not use your computer in a wet environment, for example, near a bath tub, sink, or swimming pool or in a wet basement.



- To help avoid the potential hazard of electric shock, do not connect or disconnect any cables or perform maintenance or reconfiguration of this product during an electrical storm. Do not use your computer during an electrical storm unless all cables have been disconnected and the computer is operating on battery power.
- Use only the AC adapter and batteries that are approved for use with this APR as indicated in this document. Use of another type of battery pack or AC adapter may risk fire or explosion.
- Before you clean your docking station, turn it off and disconnect the AC adapter from the electrical outlet. Clean your docking station with a soft cloth dampened with water. Do not use liquid or aerosol cleaners, which may contain flammable substances.



Power (Safety Instructions)



- Use only the Dell-provided AC adapter approved for use with this APR. Use of another AC adapter may cause a fire or explosion.
- Before you connect the APR to an electrical outlet, check the AC adapter voltage rating to ensure that the required voltage and frequency match the available power source.
- To remove power from the computer, turn it off and disconnect the AC adapter from the electrical outlet.



- To help prevent electric shock, plug the AC adapter and peripheral power cables into properly grounded power sources. These power cables may be equipped with three-prong plugs to provide an earth grounding connection. Do not use adapter plugs or remove the grounding prong from the power cable plug. If you use a power extension cable, use the appropriate type, two-prong or three-prong, to mate with the AC adapter power cable.
- Be sure that nothing rests on your AC adapter's power cable and that the cable is not located where it can be tripped over or stepped on.



- If you are using a multiple-outlet power strip, use caution when plugging the AC adapter's power cable into the power strip. Some power strips may allow you to insert the plug incorrectly. Incorrect insertion of the power plug could result in permanent damage to your computer, as well as risk of electric shock and/or fire. Ensure that the ground prong of the power plug is inserted into the mating ground contact of the power strip.

Regulatory Notices

Electromagnetic Interference (EMI) is any signal or emission, radiated in free space or conducted along power or signal leads, that endangers the functioning of a radio navigation or other safety service or seriously degrades, obstructs, or repeatedly interrupts a licensed radio communications service. Radio communications services include but are not limited to AM/FM commercial broadcast, television, cellular services, radar, air-traffic control, pager, and Personal Communication Services (PCS). These licensed services, along with unintentional radiators such as digital devices, including computers, contribute to the electromagnetic environment.

Electromagnetic Compatibility (EMC) is the ability of items of electronic equipment to function properly together in the electronic environment. While this computer has been designed and determined to be compliant with regulatory agency limits for EMI, there is no guarantee that interference will not occur in a particular installation. If this equipment does cause interference with radio communications services, which can be determined by turning the equipment off and on, you are encouraged to try to correct the interference by one or more of the following measures:

- Reorient the receiving antenna.
- Relocate the computer with respect to the receiver.
- Move the computer away from the receiver.
- Plug the computer into a different outlet so that the computer and the receiver are on different branch circuits.

If necessary, consult a Dell Technical Support representative or an experienced radio/television technician for additional suggestions.

Dell computers are designed, tested, and classified for their intended electromagnetic environment. These electromagnetic environment classifications generally refer to the following harmonized definitions:

- Class A is typically for business or industrial environments.
- Class B is typically for residential environments.

Information Technology Equipment (ITE), including devices, expansion cards, printers, input/output (I/O) devices, monitors, and so on, that are integrated into or connected to the computer should match the electromagnetic environment classification of the computer.


A Notice About Shielded Signal Cables: Use only shielded cables for connecting devices to any Dell device to reduce the possibility of interference with radio communications services. Using shielded cables ensures that you maintain the appropriate EMC classification for the intended environment. For parallel printers, a cable is available from Dell. If you prefer, you can order a cable from Dell on the World Wide Web at <http://accessories.us.dell.com/>.

Most Dell computers are classified for Class B environments. However, the inclusion of certain options can change the rating of some configurations to Class A. To determine the electromagnetic classification for your computer or device, refer to the following sections specific for each regulatory agency. Each section provides country-specific EMC/EMI or product safety information.

CE Notice (European Union)

Marking by the symbol **CE** indicates compliance of this Dell computer to the EMC Directive and the Low Voltage Directive of the European Union. Such marking is indicative that this Dell system meets the following technical standards:

- EN 55022 — “Limits and Methods of Measurement of Radio Interference Characteristics of Information Technology Equipment.”
- EN 55024 — “Information technology equipment - Immunity characteristics - Limits and methods of measurement.”
- EN 61000-3-2 — “Electromagnetic compatibility (EMC) - Part 3: Limits - Section 2: Limits for harmonic current emissions (Equipment input current up to and including 16 A per phase).”
- EN 61000-3-3 — “Electromagnetic compatibility (EMC) - Part 3: Limits - Section 3: Limitation of voltage fluctuations and flicker in low-voltage supply systems for equipment with rated current up to and including 16 A.”
- EN 60950 — “Safety of Information Technology Equipment.”

 **NOTE:** EN 55022 emissions requirements provide for two classifications:

- Class A is for typical commercial areas.
- Class B is for typical domestic areas.

This Dell device is classified for use in a typical Class B domestic environment.

A "Declaration of Conformity" in accordance with the preceding directives and standards has been made and is on file at Dell Computer Corporation Products Europe BV, Limerick, Ireland.

EN 55022 Compliance (Czech Republic Only)

This device belongs to Class B devices as described in EN 55022, unless it is specifically stated that it is a Class A device on the specification label. The following applies to devices in Class A of EN 55022 (radius of protection up to 30 meters). The user of the device is obliged to take all steps necessary to remove sources of interference to telecommunication or other devices.

Pokud není na typovém štítku počítače uvedeno, že spadá do třídy A podle EN 55022, spadá automaticky do třídy B podle EN 55022. Pro zařízení zařazená do třídy A (ochranné pásmo 30m) podle EN 55022 platí následující. Dojde-li k rušení telekomunikačních nebo jiných zařízení, je uživatel povinen provést taková opatření, aby rušení odstranil.

Polish Center for Testing and Certification Notice

The equipment should draw power from a socket with an attached protection circuit (a three-prong socket). All equipment that works together (computer, monitor, printer, and so on) should have the same power supply source.

The phasing conductor of the room's electrical installation should have a reserve short-circuit protection device in the form of a fuse with a nominal value no larger than 16 amperes (A).

To completely switch off the equipment, the power supply cable must be removed from the power supply socket, which should be located near the equipment and easily accessible.

A protection mark "B" confirms that the equipment is in compliance with the protection usage requirements of standards PN-93/T-42107 and PN-EN 55022: 1996.

Wymagania Polskiego Centrum Badań i Certyfikacji

Urządzenie powinno być zasilane z gniazda z przyłączonym obwodem ochronnym (gniazdo z kołkiem). Współpracujące ze sobą urządzenia (komputer, monitor, drukarka) powinny być zasilane z tego samego źródła.

Instalacja elektryczna pomieszczenia powinna zawierać w przewodzie fazowym rezerwową ochronę przed zwarciami, w postaci bezpiecznika o wartości znamionowej nie większej niż 16A (amperów).

W celu całkowitego wyłączenia urządzenia z sieci zasilania, należy wyjąć wtyczkę kabla zasilającego z gniazdka, które powinno znajdować się w pobliżu urządzenia i być łatwo dostępne.

Znak bezpieczeństwa "B" potwierdza zgodność urządzenia z wymaganiami bezpieczeństwa użytkownika zawartymi w PN-93/T-42107 i PN-EN 55022:1996.

Jeżeli na tabliczce znamionowej umieszczono informację, że urządzenie jest klasy A, to oznacza to, że urządzenie w środowisku mieszkalnym może powodować zakłócenia radioelektryczne. W takich przypadkach można żądać od jego użytkownika zastosowania odpowiednich środków zaradczych.

Pozostałe instrukcje bezpieczeństwa

- Nie należy używać wtyczek adapterowych lub usuwać kołka obwodu ochronnego z wtyczki. Jeżeli konieczne jest użycie przedłużacza to należy użyć przedłużacza 3-żyłowego z prawidłowo połączonym przewodem ochronnym.
- System komputerowy należy zabezpieczyć przed nagłymi, chwilowymi wzrostami lub spadkami napięcia, używając eliminatora przepięć, urządzenia dopasowującego lub bezzakłócenowego źródła zasilania.
- Należy upewnić się, aby nic nie leżało na kablach systemu komputerowego, oraz aby kable nie były umieszczone w miejscu, gdzie można byłoby na nie nadeptywać lub potykać się o nie.
- Nie należy rozlewać napojów ani innych płynów na system komputerowy.
- Nie należy wpychać żadnych przedmiotów do otworów systemu komputerowego, gdyż może to spowodować pożar lub porażenie prądem, poprzez zwarcie elementów wewnętrznych.
- System komputerowy powinien znajdować się z dala od grzejników i źródeł ciepła. Ponadto, nie należy blokować otworów wentylacyjnych. Należy unikać kładzenia luźnych papierów pod komputer oraz umieszczania komputera w ciasnym miejscu bez możliwości cyrkulacji powietrza wokół niego.




CE Mark Notice

This device complies with the requirements of the European Directive 1999/5/EC.

Pokročilý replikátor portů Dell™ Latitude™ C/Port II

Příručka k zařízení

Poznámky, upozornění a výstrahy

-  **POZNÁMKA:** POZNÁMKA obsahuje důležité informace, které vám pomohou počítač lépe využívat.
-  **UPOZORNĚNÍ:** UPOZORNĚNÍ ukazuje na možnost poškození hardwaru nebo ztráty dat a sděluje vám, jak se problému vyhnout.
-  **POZOR:** Odstavec uvozený slovem **POZOR** označuje možnost poškození majetku, zranění či smrtelného úrazu.

Informace v tomto dokumentu se mohou měnit bez předchozího upozornění.

© 2001 Dell Computer Corporation. Všechna práva vyhrazena.

Jakákoli reprodukce bez písemného svolení společnosti Dell Computer Corporation je přísně zakázána.

Ochranné známky použité v textu: *Dell*, logo *DELL*, *Latitude* a *DellWare* jsou ochranné známky společnosti Dell Computer Corporation; *3Com* je ochranná známka společnosti 3Com Corporation; *Microsoft*, *Windows* a *Windows NT* jsou registrované ochranné známky společnosti Microsoft Corporation.

Jiné ochranné známky a obchodní názvy případně použité v tomto dokumentu mohou odkazovat na subjekty držící práva k těmto známkám a názvy jejich výrobků. Společnost Dell Computer Corporation odmítá vlastnické zájmy k ochranným známkám a obchodním názvům mimo své vlastní.

Tento produkt obsahuje technologie chráněné autorským právem a americkými patenty k metodám a jinými právy k intelektuálnímu vlastnictví náležejícími společnosti Macrovision Corporation a jiným vlastníkům. Používání této technologie musí být schváleno společností Macrovision Corporation a není-li touto společností stanoveno jinak, je povoleno pouze pro účely domácího nebo jiného omezeného zobrazování. Dekódování ani rozbor kódu nejsou povoleny.

Pokročilý replikátor portů Dell™ Latitude™ C/Port II

Příručka k zařízení

Tento dokument obsahuje základní informace, informace k bezpečnosti a zárukám a právní informace k pokročilému replikátoru portů Dell Latitude C/Port II (Advanced Port Replicator, APR) a dále informace o ostatních dokumentech společnosti Dell, které jsou k dispozici, a způsob jejich získání.

Ostatní dostupné dokumenty

- Aktualizace dokumentace, které mohou být dodány se základnovou stanicí, popisují změny základnové stanice nebo programového vybavení. Tyto aktualizace je třeba si přečíst *dříve* než jakoukoli jinou dokumentaci, protože aktualizace obsahují nejnovější informace.
- Dokumentace dodávaná s ostatními volitelnými doplňky zakoupenými samostatně mimo základnovou stanicí. Tato dokumentace obsahuje informace, které jsou třeba pro konfiguraci a instalaci těchto doplňků k základnové stanici.

Jak získat pomoc

Společnost Dell poskytuje celou řadu nástrojů, které mohou pomoci v případě, že základnová stanice nepracuje podle očekávání. Podrobnější informace o těchto pomocných nástrojích jsou uvedeny v oddílu „Jak získat pomoc“ v *uživatelské příručce* k počítači.

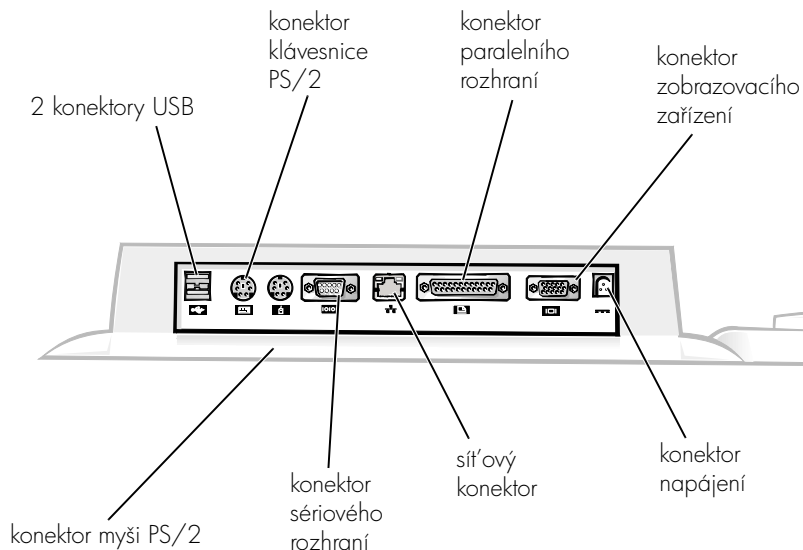
Přehled základnové stanice

 **POZNÁMKA:** Před připojením základny k síti se poraďte se správcem sítě.

Před připojením počítače k základnové stanici a jeho zapnutím musí být základna připojena k napájecímu adaptéru. Napájecí adaptér napájí současně základnovou stanicí i počítač. Během práce v základnové stanici se nabíjí baterie instalovaná v počítači.




- UPOZORNĚNÍ:** K napájení používejte výhradně napájecí adaptér Dell PA-6 dodávaný se základnovou stanicí. Použijete-li jiný komerčně prodávaný adaptér nebo adaptér od starších modelů počítačů DELL, může dojít k poškození základnové stanice nebo počítače.

Panel vstupů a výstupů základnové stanice


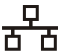





V tabulce „Externí V/V konektory“ jsou zobrazeny ikony všech konektorů umístěných na zadní straně replikátoru portů s popisem typů externích zařízení, která k nim můžete připojovat.

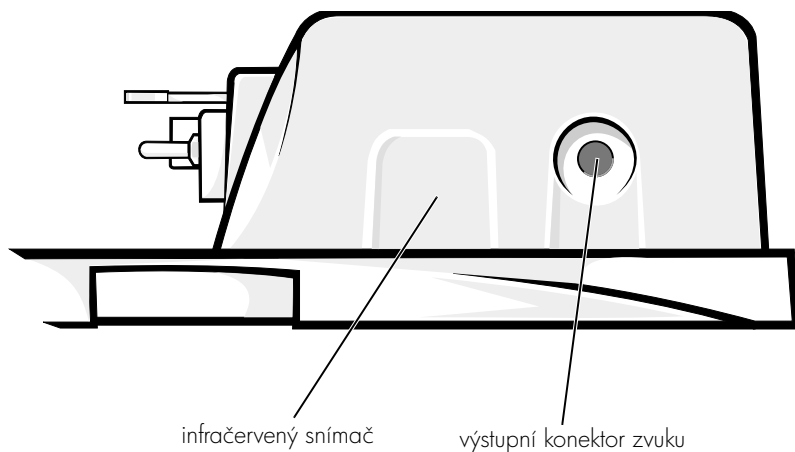
Externí V/V konektory

Ikona konektoru	Popis konektoru
	Ke dvojitému konektoru USB lze připojit jedno nebo dvě zařízení USB, například myš USB.
	Ke konektoru klávesnice PS/2 lze připojit externí klávesnici PS/2 nebo externí číselnou klávesnici.
	Ke konektoru myši PS/2 lze připojit externí myš PS/2 nebo kompatibilní myš.

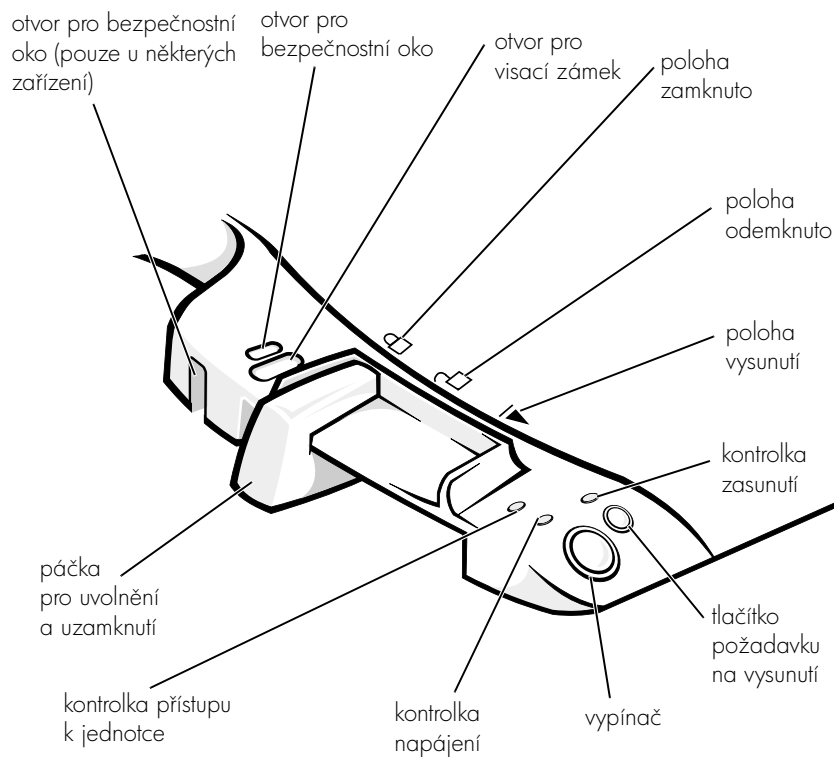
Externí V/V konektory

	Ke konektoru sériového portu lze připojit sériové zařízení, například sériovou myš nebo externí modem.
	K síťovému konektoru lze připojit síťový kabel.
	Ke konektoru paralelního portu lze připojit paralelní zařízení, například tiskárnu.
	Ke konektoru zobrazovacího zařízení lze připojit externí monitor.
	Ke konektoru napájení lze připojit napájecí adaptér dodaný s replikátorem portů.

Konektory pro zvuk a infračervený snímač



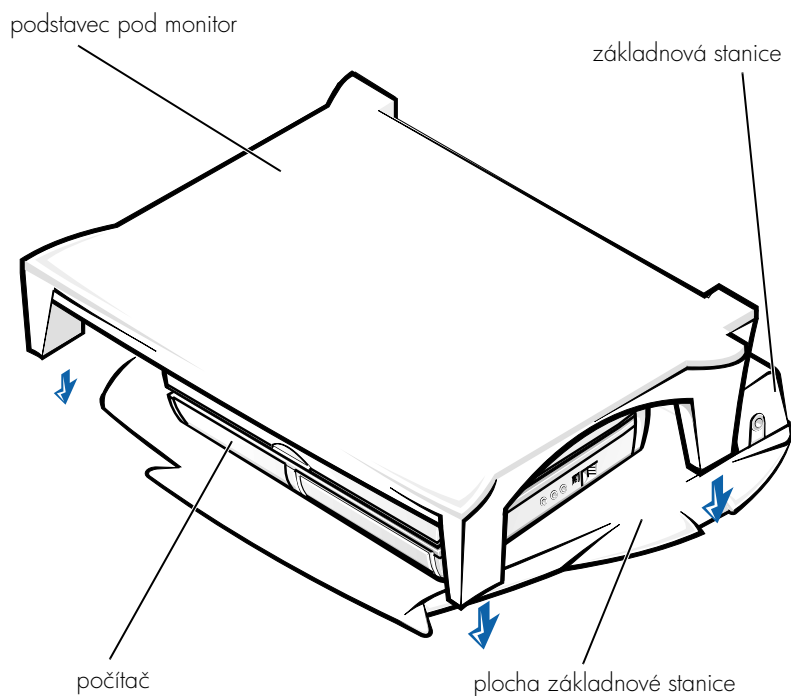
Ovládací prvky a kontrolky základny



Podstavec pod monitor

- ➔ **UPOZORNĚNÍ:** Podstavec může nést monitor o hmotnosti až 45,3 kilogramu (kg). Těžší monitory by mohly poškodit podstavec, počítač a základnovou stanici.

Základnová stanice s podstavcem pod monitor



POZNÁMKA: Zkontrolujte, zda zadní nožky podstavce pod monitor zapadají do prohlubní na obou stranách základny.

Před připojením počítače

Pokud počítač pracuje s operačním systémem Microsoft® Windows® 9x, Windows NT® nebo Windows Millennium (Me) je třeba nejprve zkontrolovat, zda počítač obsahuje potřebné ovladače. Pokud počítač neobsahuje potřebné ovladače pro připojení, musíte je nainstalovat před prvním připojením počítače k základně. Ovladače pro připojení se instalují podle postupu v kapitole „Instalace ovladačů pro připojení“.



POZNÁMKA: Pokud počítač pracuje s operačním systémem Windows XP nebo Windows 2000, ovladače se instalují automaticky a není třeba provádět kroky popsané v kapitole „Instalace ovladačů pro připojení“. Přejděte k části „Připojování počítače“.

Kontrola existujících ovladačů pro připojení v počítači

- 1 Poklepejte na ikonu **Tento počítač** (My Computer).
- 2 Poklepejte na ikonu **Ovládací panely** (Control Panel).
- 3 Poklepejte na ikonu **Přidat nebo odebrat programy** (Add/Remove Programs).
- 4 V seznamu programů vyhledejte správné ovladače pro připojení.

U systémů Windows 9x a Windows Me hledejte ovladač se slovy **Quick Install** v názvu. Například: Dell Dock Quick Install for Windows.

U systému Windows NT hledejte název **NT Softex Docking Services**.

Pokud počítač neobsahuje potřebné ovladače pro připojení, přejděte k další kapitole, „Instalace ovladačů pro připojení“. Pokud počítač potřebné ovladače pro připojení obsahuje, přejděte k části „Připojení počítače“.

Instalace ovladačů pro připojení

Ovladače pro připojení můžete nainstalovat následujícími způsoby:

- Nainstalujte ovladače z disku *ResourceCD* nebo z disku *Drivers and Utilities* (Ovladače a pomocné programy), který jste obdrželi s počítačem nebo základnovou stanicí.
- Načtěte ovladače z webového serveru technické podpory společnosti Dell.

Instalace ovladačů z disku *ResourceCD* nebo z disku *Drivers and Utilities* (Ovladače a pomocné programy)

- 1 Vložte disk *ResourceCD* nebo disk *Drivers and Utilities* do jednotky CD.

Disk CD se většinou spustí automaticky. Pokud se tak nestane, spusťte Průzkumník Windows, klepnutím na jednotku CD zobrazíte obsah disku CD a poklepejte na soubor **autorcd**. Na úvodní obrazovce klepněte na tlačítko **Next** (Další). Při prvním spuštění disku CD vás systém může požádat o nainstalování několika instalačních souborů. Klepněte na tlačítko **OK** a postupujte podle pokynů na obrazovce.

- 2 V rozevírací nabídce **Language** (Jazyk) na panelu nástrojů vyberte některý z dostupných jazyků ovladače.

Program zobrazí uvítací obrazovku.

- 3 Klepněte na tlačítko **Další** (Next).

- 4 V rozevíracích nabídkách **System Model** (Model) a **Operating System** (Operační systém) v oblasti **Search Criteria** (Kritéria hledání) vyberte odpovídající kategorie.

*Pokud počítač pracuje s operačním systémem Windows 9x nebo Windows Me, vyberte v rozevírací nabídce **Device Type** (Typ zařízení) položku System Utilities (Pomocné programy systému) a v rozevírací nabídce **Topic** (Oblast) položku **Drivers** (Ovladače).*

*Pokud počítač pracuje s operačním systémem Windows NT, vyberte v rozevírací nabídce **Device Type** (Typ zařízení) položku System Utilities (Pomocné programy systému) a v rozevírací nabídce **Topic** (Oblast) položku **Utilities** (Pomocné programy).*

Program zobrazí odkaz nebo odkazy na konkrétní ovladače a pomocné programy pro váš počítač.

- 5 *Pokud počítač pracuje s operačním systémem Windows 9x nebo Windows Me, klepněte na odkaz na pomocný program **Dell Dock QuickInstall**.*

Soubor **Dell Dock QuickInstall** je pomocný program, který do počítače instaluje ovladače potřebné pro připojení k zařízení.

*Pokud počítač pracuje s operačním systémem Windows NT, naleznete a klepněte na odkaz ke službám **Softex Docking Services**.*

- 6 Tlačítkem **Install** (Nainstalovat) spusťte automatickou instalaci. Pokračujte podle pokynů úvodní obrazovky a instalace bude dokončena.



POZNÁMKA: U některých disků ResourceCD musí uživatel hledat správný ovladač ve složkách. Podrobné pokyny k přeinstalování ovladačů naleznete v *uživatelské příručce*.

Instalace ovladačů pro připojení z webového serveru technické podpory společnosti Dell

- 1 Přejděte na webový server technické podpory společnosti Dell na adrese <http://support.dell.com>. Pokud tento server navštívíte poprvé, vyberte klepnutím na zobrazenou mapu svoji zemi.
Otevře se stránka **Welcome to support.dell.com** (Vítejte na serveru support.dell.com).
- 2 Zadejte informace o svém zařízení a klepněte na příkaz **Go!** (Přejít).
Klepněte na položku **Downloads For Your System** (Stahování souborů pro váš systém).
Počítač zobrazí okno **Downloads For Your Dell** s krátkým formulářem, který musíte vyplnit.
- 3 Zadejte servisní číslo svého zařízení nebo vyberte zařízení Dell.
- 4 Vyberte operační systém a jeho jazyk.
- 5 Vyberte kategorii **System and Configuration Utilities** (Systémové a konfigurační nástroje).
- 6 Klepněte na ikonu **Go!** (Přejít).
- 7 *Pokud počítač pracuje s operačním systémem Windows 9x nebo Windows Me, nalezněte a klepněte na odkaz na pomocný program **Dell Dock QuickInstall**.*
*Pokud počítač pracuje s operačním systémem Windows NT, nalezněte a klepněte na odkaz ke službám **Softex Docking Services**.*
- 8 Při načítání a instalaci požadovaných ovladačů se řiďte pokyny na obrazovce.
- 9 Po načtení souborů a před instalací ovladačů si přečtěte soubor **readme.txt** načtený s ostatními soubory. Jsou v něm uvedeny důležité informace o instalaci.

Připojování počítače

Pokud k základnové stanici připojíte monitor a zapnete ho, zobrazují se informace na monitoru. Chcete-li obraz přepnout na displej počítače, nebo chcete-li obraz zobrazit na monitoru i na displeji počítače, stiskněte kombinaci kláves <Fn><F8>.

Po připojení počítače k základnové stanici a jeho zapnutí se na základně rozsvítí zelená kontrolka (viz „Ovládací prvky a kontrolky“).

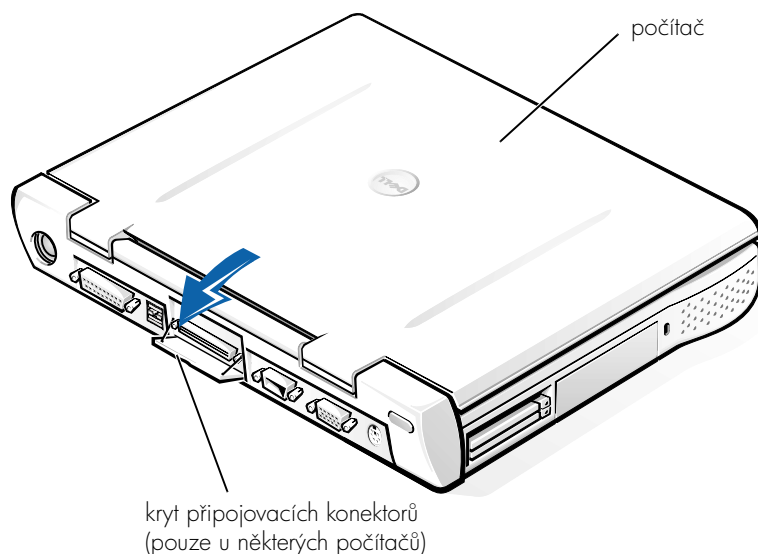
➔ **UPOZORNĚNÍ:** Aby nedošlo ke ztrátě dat, uložte před připojováním počítače k základně všechny otevřené soubory.

1 Uložte všechny soubory, uzavřete a ukončete všechny aplikace, ukončete činnost operačního systému a počítač vypněte.

➔ **UPOZORNĚNÍ:** Aby nedošlo k poškození konektorů určených pro připojení počítače k zařízení, před pokusem o připojení počítače k základně otevřete kryt připojovacích konektorů na zadním panelu počítače.

2 Pokud je počítač vybaven krytem konektorů pro připojení, otevřete kryt konektorů na zadní straně počítače.

Kryt připojovacích konektorů na počítači

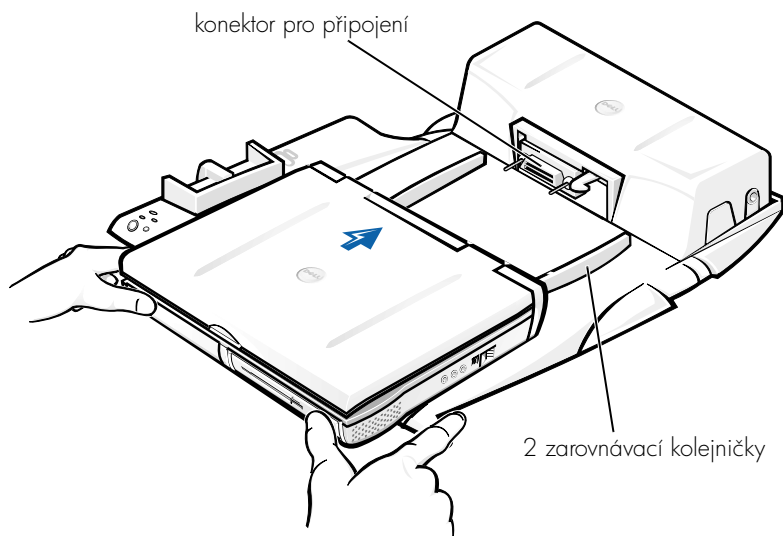


3 Používáte-li základnovou stanici s podstavcem pro monitor, zavřete displej počítače.

4 Páčku pro uvolnění a uzamknutí nastavte do polohy odemknuto.

5 Následujícím postupem připojte počítač k základnové stanici:

Připojování počítače



- a Podle obrázku umístěte počítač do středu replikátoru portů zadní stranou ke konektoru základnové stanice.
- b Posunujte počítač směrem ke konektoru, až ucítíte, že drážky na spodní straně počítače zapadají do vodicích kolejniček.

➔ **UPOZORNĚNÍ:** Pokud byste počítač tlačili až na konektor replikátoru portů, aniž by zapadl do vodicích kolejniček, mohli byste neopravitelně poškodit konektor pro připojení na počítači.

➔ **UPOZORNĚNÍ:** Je-li počítač spojen se základnovou stanicí, zvedejte ho vždy pouze současně se stanicí, jinak by mohlo dojít k poškození připojovacích konektorů.

➔ **UPOZORNĚNÍ:** Používáte-li monitor a podstavec pro monitor, odstraňte před zasunutím základny stanice monitor z podstavce.

- c Opatrně zatlačte počítač do stanice, až se konektory zcela propojí.

První připojování počítače se systémem Windows XP nebo Windows 2000

- 1 Počítač připojte k základnové stanici a zapněte ho.
- 2 Během zavádění systému stiskněte klávesu <F2>. Počítač zobrazí program pro nastavení systému.
- 3 Položku **Docking IRQ** (IRQ připojení) nastavte na hodnotu **Optimized** (Optimální).
- 4 Položku **Universal Connect** (Univerzální připojení) nastavte na hodnotu **Enabled** (Zapnuto).
- 5 Ukončete program pro nastavení systému.
Počítač bude pokračovat v zavádění systému.

Ve Windows 2000 se objeví **průvodce přidáním nového hardwaru**.



POZNÁMKA: *Pokud počítač pracuje s operačním systémem Windows XP, nainstaluje ovladače automaticky operační systém. Pokud počítač pracuje s operačním systémem Windows 2000, nainstaluje ovladače automaticky průvodce přidáním nového hardwaru.*

První připojování počítače se systémem Windows Me

- 1 Počítač připojte k základnové stanici a zapněte ho.
- 2 Během zavádění systému stiskněte klávesu <F2>. Počítač zobrazí program pro nastavení systému.
- 3 Položku **Docking IRQ** (IRQ připojení) nastavte na hodnotu **Optimized** (Optimální).
- 4 Položku **Universal Connect** (Univerzální připojení) nastavte na hodnotu **Enabled** (Zapnuto).
- 5 Ukončete program pro nastavení systému.
Počítač bude pokračovat v zavádění systému.
Objeví se **průvodce přidáním nového hardwaru**.
- 6 Vyberte možnost **Vyhledat nejvhodnější ovladač pro zařízení (Doporučeno)** (Search for the Best Driver for Your Device [Recommended]) a klepněte na tlačítko **Další** (Next).
- 7 Klepněte na tlačítko **Další** (Next).

- 8 Dále postupujte podle pokynů **průvodce přidáváním hardwaru**.
- 9 Při každém dotazu vyberte možnost **Vyhledat nejvhodnější ovladač pro zařízení (Doporučeno)** (Search for the Best Driver for Your Device [Recommended]) a klepněte na tlačítko **Další** (Next).
- 10 Pokračujte podle pokynů průvodce; instalace bude dokončena.
Zobrazí se pracovní plocha systému Windows a instalace je hotova.

První připojení počítače se systémem Windows NT 4.0

- 1 Počítač připojte k základnové stanici a zapněte ho.
- 2 Během zavádění systému stiskněte klávesu <F2> nebo po dokončení zavádění stiskněte kombinaci kláves <Fn><F1>. Počítač zobrazí program pro nastavení systému.
- 3 Položku **Docking IRQ** (IRQ připojení) nastavte na hodnotu **Optimized** (Optimální).
- 4 Položku **Universal Connect** (Univerzální připojení) nastavte na hodnotu **Enabled** (Zapnuto).
- 5 Ukončete program pro nastavení systému.
- 6 Stisknutím kombinace kláves <Ctrl><Alt> se přihlaste.
Počítač zobrazí okno **Docking Station Setup** (Nastavení základnové stanice) se zprávou, že před pokračováním je třeba počítač odpojit od stanice.
- 7 Klepněte na tlačítko **OK** a počkejte, až se počítač vypne.
- 8 Odpojte počítač (viz část „Odpojování počítače“).
Počítač se automaticky restartuje. Pokud se nerestartuje, počítač zapněte.
- 9 Klepněte na tlačítko **Start** a vyberte příkaz **Vypnout** (Shut Down).
- 10 Počkejte, až se počítač zcela vypne, a znovu ho připojte k základnové stanici.
Počítač se automaticky restartuje. Pokud se nerestartuje, počítač zapněte.
- 11 Stisknutím kombinace kláves <Ctrl><Alt> se přihlaste.
Počítač automaticky zjistí nová zařízení.

- 12 Na výzvu systému vyberte možnost **Install System Provided Driver for the Selected Device (Recommended)** (Instalovat dodané systémové ovladače pro vybrané zařízení [Doporučeno]) a klepněte na tlačítko **OK**.
- 13 V okně **Windows NT Setup** (Instalace Windows NT) klepněte na tlačítko **Continue** (Pokračovat).
- 14 Vyberte možnost **Install System Provided Driver for the Selected Device (Recommended)** (Instalovat dodané systémové ovladače pro vybrané zařízení [Doporučeno]) a klepněte na tlačítko **OK**.
- 15 V rozbalovací nabídce vyberte název síťového adaptéru (NIC).
- 16 Rozhodněte, zda má síťový adaptér získávat IP adresu ze serveru, nebo zda je IP adresa pevně stanovená.

Pokud nevíte, kterou možnost vybrat, obraťte se na správce systému.
- 17 Pokračujte dál a řiďte se pokyny na obrazovce. Instalace bude dokončena.

Zobrazí se pracovní plocha systému Windows a instalace je hotova.

Je-li počítač připojen k základně, nemůže přejít do režimu pozastavení s uložením na disk.

První připojování počítače se systémem Windows 98

- 1 Počítač připojte k základnové stanici a zapněte ho.
- 2 Během zavádění systému stiskněte klávesu <F2> nebo po dokončení zavádění stiskněte kombinaci kláves <Fn><F1>. Počítač zobrazí program pro nastavení systému.
- 3 Položku **Docking IRQ** (IRQ připojení) nastavte na hodnotu **Optimized** (Optimální).
- 4 Položku **Universal Connect** (Univerzální připojení) nastavte na hodnotu **Enabled** (Zapnuto).
- 5 Ukončete program pro nastavení systému.

Počítač zjistí nový hardware.
- 6 V okně **Configuration Setup** (Nastavení konfigurace) klepněte na tlačítko **OK**.

Program zobrazí **průvodce přidáním nového hardwaru**.


- 7 Klepněte na tlačítko **Další** (Next).
- 8 Vyberte možnost **Vyhledat nejvhodnější ovladač pro zařízení (Doporučeno)** (Search for the Best Driver for Your Device [Recommended]) a klepněte na tlačítko **Další** (Next).
- 9 Odstraňte zaškrtnutí u všech možností a klepněte na tlačítko **Další** (Next).
Počítač zobrazí okno se zprávou, že systém Windows je připraven nainstalovat optimální ovladač zařízení.
- 10 Dále postupujte podle pokynů **průvodce přidáváním hardwaru**.
- 11 Při každém dotazu vyberte možnost **Vyhledat nejvhodnější ovladač pro zařízení (Doporučeno)** (Search for the Best Driver for Your Device [Recommended]) a klepněte na tlačítko **Další** (Next).
- 12 Pokračujte podle pokynů průvodce; instalace bude dokončena.
Zobrazí se pracovní plocha systému Windows a instalace je hotova.

První připojení počítače se systémem Windows 95

- 1 Počítač připojte k základnové stanici a zapněte ho.
- 2 Během zavádění systému stiskněte klávesu <F2> nebo po dokončení zavádění stiskněte kombinaci kláves <Fn><F1>. Počítač zobrazí program pro nastavení systému.
- 3 Položku **Docking IRQ** (IRQ připojení) nastavte na hodnotu **Optimized** (Optimální).
- 4 Položku **Universal Connect** (Univerzální připojení) nastavte na hodnotu **Enabled** (Zapnuto).
- 5 Ukončete program pro nastavení systému.
Počítač automaticky zjistí nový hardware.
- 6 V okně **System Settings Change** (Změna nastavení systému) klepněte na tlačítko **Yes** (Ano).
Počítač se restartuje a automaticky zjistí nový hardware.
- 7 V okně **Network** (Síť) klepněte na tlačítko **OK**.
- 8 V dalším okně **Network** (Síť) klepněte na kartu **Identification** (Identifikace).

- 9 Zadejte údaje do položek **Název počítače** a **Pracovní skupina**, které budou identifikovat váš počítač v síti, a klepněte na tlačítko **Zavřít**.

Nejste-li si jisti, jak pole **Název počítače** a **Pracovní skupina** vyplnit, obraťte se na správce systému.


 **POZNÁMKA:** Před pokračováním v instalaci ovladačů musí být pole **Název počítače** a **Pracovní skupina** vyplněna.

Počítač automaticky zkopíruje soubory a vytvoří databázi informací o ovladačích.

- 10 V okně **Configuration Setup** (Nastavení konfigurace) klepněte na tlačítko **OK**.

- 11 Pokračujte dál a řiďte se pokyny na obrazovce. Instalace bude dokončena.

Zobrazí se pracovní plocha systému Windows a instalace je hotova.

 **POZNÁMKA:** Chcete-li používat konektory USB, musíte nainstalovat doplněk USB umístěný na disku *ResourceCD* v adresáři **Win95\OSUpdate**. Pokud nainstalujete doplněk USB, počítač nebude moci přejít do režimu pozastavení. Společnost Dell doporučuje, abyste doplněk USB neinstalovali, pokud nehodláte používat žádné zařízení USB.

Aktualizace ovladačů ve Windows XP a Windows 2000

Aktualizace ovladačů ve Windows XP a Windows 2000:

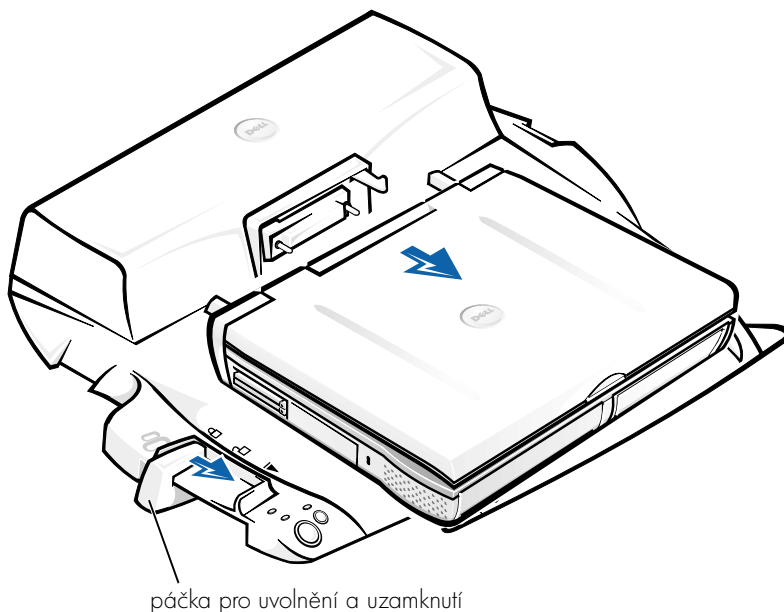
- 1 Klepněte pravým tlačítkem myši na ikonu **My Computer** (Tento počítač) a klepněte na položku **Manage** (Správa). (V operačním systému *Windows XP* získáte přístup k oknu **My Computer** (Tento počítač) po klepnutí na tlačítko **Start**. Ve *Windows 2000* je ikona **My Computer** (Tento počítač) umístěna na pracovní ploše Windows.)
- 2 V okně **Computer Management** (Správa počítače) klepněte na položku **Device Manager** (Správce zařízení) a poklepejte na položku **Network adapters** (Síťové adaptéry).
- 3 Poklepejte na položku **3Com 3C920 Integrated Fast Ethernet Controller**.
- 4 Klepněte na kartu **Driver** (Ovladač).
- 5 Klepněte na položku **Update Driver...** (Aktualizovat ovladač) a postupujte podle pokynů.

Aktualizace ovladačů v systému Windows Me

Aktualizace ovladačů v systému Windows Me:

- 1 Klepněte pravým tlačítkem myši na ikonu **My Computer** (Tento počítač) na pracovní ploše a klepněte na položku **Properties** (Vlastnosti).
- 2 V okně **System Properties** (Vlastnosti systému) klepněte na položku **Device Manager** (Správce zařízení) a poklepejte na položku **Network adapters** (Síťové adaptéry).
- 3 Poklepejte na položku **3Com 3C920 Integrated Fast Ethernet Controller**.
- 4 Klepněte na kartu **Driver** (Ovladač).
- 5 Klepněte na položku **Update Driver...** (Aktualizovat ovladač) a postupujte podle pokynů.

Odpojování počítače



UPOZORNĚNÍ: Pokud počítač nemá k dispozici napájení z baterie, po vysunutí ze základny stanice se vypne a ztratíte všechna neuložená data.

- ➔ **UPOZORNĚNÍ:** Počítač nikdy neodpojujte, aniž byste ho na tuto akci připravili. Pokud odpojíte počítač bez přípravy, ztratíte data a počítač se nepodaří znovu spustit po několik minut (nebo vůbec).

Při přípravě počítače k odpojení od základny použijte některou z těchto metod:

- Stiskněte klávesy <Fn><Esc> na klávesnici počítače (nebo <Scroll lock><Esc> na externí klávesnici.
Počkejte několik sekund, dokud se nevypne kontrolka napájení na počítači.
- *V operačním systému Windows XP* klepněte na tlačítko **Start** a klepněte na tlačítko **Undock Computer** (Odpojit počítač).
V operačním systému Windows 95, Windows 98, Windows Me nebo Windows 2000 klepněte na tlačítko **Start** a klepněte na tlačítko **Eject PC** (Vysunout PC).
V operačním systému Windows NT klepněte na ikonu připojení k základně a klepnutím na položku **Undock** (Odpojit) převeďte počítač do režimu pozastavení.
Počkejte několik sekund, dokud se nevypne kontrolka napájení na počítači.
- Stiskněte tlačítko požadavku k odpojení počítače na základně (viz obrázek „Ovládací prvky a kontrolky základny“). Počkejte, dokud zelená kontrolka připojení počítače nezhasne.

Zabezpečení replikátoru portů Dell™ Latitude™ C/Port II

Funkce zabezpečení

Základnová stanice má následující možnosti zabezpečení.

- Páčku pro uvolnění a uzamknutí umožňující zajištění a uvolnění počítače. V zadní poloze je počítač v replikátoru portů C/Port II zajištěn. Ve střední poloze můžete základnovou stanici používat bez zabezpečení. Přední poloha slouží k uvolnění a vysunutí počítače ze základnové stanice. Při zatlačení páčky pro uvolnění a uzamknutí do zadní polohy můžete pomocí visacího zámku a otvoru pro bezpečnostní oko počítač uzamknout.
- Pružinovou západku v přední části základny zapadající do bezpečnostního otvoru ve spodní části počítače a připevňující počítač k základně stanice. Bezpečnostní otvor mají pouze některé počítače Dell.
- Bezpečnostní tlačítko pro uvolnění pozice pro média znemožňující odstranění zařízení z pozice pro média.
- Nepohyblivou západku bránící neoprávněnému odstranění počítače.

Zabezpečení replikátoru portů Dell™ Latitude™ C/Port II

Základnovou stanici můžete zabezpečit některým z následujících způsobů:

- Visacím zámkem nebo zámkem s bezpečnostním okem protaženým otvorem v základnové stanici (viz obrázek „Ovládací prvky a kontrolky základny“).

Samotný visací zámek blokuje páčku pro uvolnění a znesnadňuje vyjmutí počítače ze základnové stanice.

Bezpečnostní oko zajištěné k pevnému předmětu může v kombinaci s visacím zámkem zabránit neoprávněnému odnesení počítače s replikátorem C/Port II.

- Do otvoru pro bezpečnostní oko na základnové stanici (viz obrázek „Ovládací prvky a kontrolky základny“) připojte běžně dostupné zařízení proti odcizení.

Zařízení proti odcizení obvykle tvoří lanko z kovových vláken s připojeným zámekem a klíčem. Společnost Dell doporučuje zámky Kensington. Pokyny k instalaci takového zařízení naleznete v dokumentaci k němu přiložené.

Diagnostika počítačů Dell

Program Dell Diagnostics dodávaný s počítači Dell Latitude obsahuje testy pro řešení problémů s řadiči v základnové stanici.

Zkoušky ve skupině **Network Interface** (Síťové rozhraní) kontrolují základní operace síťového adaptéru v základnové stanici. Kontrolují vnitřní funkce adaptéru včetně přístupu pro čtení i zápis do jeho registrů a vnitřní funkce přenosu a příjmu (smyčku).

Zkoušky ve skupině **Serial/Infrared Ports** (Sériové a infračervené porty) kontrolují rozhraní základnové stanice pro externí zařízení (například sériovou myš nebo tiskárnu). Zkoušky této skupiny neslouží ke zkoušení samostatného externího zařízení.

Zkoušky ve skupině **USB** kontrolují rozhraní základnové stanice pro externí zařízení (například myš). Zkoušky této skupiny neslouží ke zkoušení samostatného externího zařízení.

Úplné informace o práci s programem Dell Diagnostics naleznete v *uživatelské příručce* k počítači.

Technické údaje

Technické údaje

Fyzikální

Výška:

S podstavcem pod monitor	10,2 cm
Bez podstavce	5,8 cm

Hloubka:

S podstavcem pod monitor	39,0 cm
Bez podstavce	35,8 cm

Šířka:

S podstavcem pod monitor	40,9 cm
Bez podstavce	37,5 cm

Hmotnost:

S podstavcem pod monitor	3,0 kg
Bez podstavce	1,6 kg

Napájení

Vstupní hodnoty adaptéru

Napětí	100–200 V stř, 50–60 Hz
Proud	1.5 A

Vstup APRIL:

Napětí	vyžaduje z adaptéru 20 V ss
Proud	3,5 A

Technické údaje

V/V rozhraní

Sériové (DTE)	kompatibilní s obvodem 16550, konektor, 16 bajtová vyrovnávací paměť
Paralelní	konektor jednosměrný, obousměrný nebo ECP
PS/2	dva konektory mini-DIN
USB	dva konektory kompatibilní s rozhraním USB
infračervené	infračervený snímač kompatibilní s normami IrDA 1.1 (Fast IR) a 1.0
zvukový výstup	zvuková zdířka (pro volitelná sluchátka)
zobrazovací zařízení	jeden konektor
síť	jeden konektor RJ45
připojovací rozhraní (připojení k počítači)	jeden konektor

Síťový adaptér Ethernet

Sada obvodů	3Com® 3C920; 10/100 BASE-TX (kompatibilní s PC99)
Šířka datové sběrnice	32bitové rozhraní sběrnice PCI
IRQ (požadavek na přerušení)	IRQ10

Bezpečnostní pokyny a pokyny k elektromagnetické kompatibilitě: Přenosné počítače

Další symboly používané pouze v bezpečnostních pokynech a v pokynech k elektromagnetické kompatibilitě mají následující význam.



Riziko výbuchu



Letadla



Riziko požáru



Používání této funkce může být v letadlech zakázáno



Riziko úrazu elektrickým proudem



Bezpečnostní pokyny

Obecné

- Replikátor před zahájením práce umístěte na rovný povrch.
- Nejste-li oprávněným servisním technikem, nepokoušejte se replikátor opravovat vlastními silami. Vždy postupujte důsledně podle pokynů pro instalaci.
- Pokud je před napájecím adaptérem prodlužovací kabel, zkontrolujte, zda celkový proud odebíraný zařízeními připojenými k prodlužovacímu kabelu nepřekračuje povolenou hodnotu.
- Do větracích ani jiných otvorů počítače nevkládejte žádné předměty. Mohlo by dojít ke zkratu vnitřních součástí a následnému požáru nebo úrazu elektrickým proudem.





- Při napájení počítače nebo nabíjení baterie umístěte napájecí adaptér na větrané místo, například na stůl nebo na podlahu. Nezakrývejte ho papíry ani jinými předměty znemožňujícími chlazení. Adaptér nepoužívejte v obalu.



- Počítač nepoužívejte ve vlhkém prostředí, například v blízkosti vany, dřezu či bazénu, ani ve vlhkém suterénu.



- Pro zamezení riziku úrazu elektrickým proudem nepřipojujte ani neodpojujte kabely a zařízení neopravujte ani nekonfigurujte během bouřky. Počítač nepoužívejte za bouřky jinak než po odpojení všech kabelů a při napájení z baterií.
- Používejte pouze napájecí adaptér a baterie schválené k používání s tímto replikátorem. Při použití jiných baterií nebo adaptéru může hrozit požár nebo výbuch.
- Před čištěním základnovou stanicí vypněte a odpojte ze zásuvky. Základnovou stanicí čistěte měkkým hadříkem navlhčeným vodou. Nepoužívejte tekuté čisticí prostředky ani spreje. Ty mohou obsahovat hořlavé látky.

Napájení (bezpečnostní pokyny)



- Používejte pouze adaptér dodávaný společností Dell, schválený pro použití s tímto replikátorem. Použití jiného adaptéru může způsobit požár nebo výbuch.
- Před připojením replikátoru do zásuvky zkontrolujte, zda napětí a frekvence zdroje souhlasí s hodnotami uvedenými na adaptéru.
- Chcete-li vypnout napájení počítače, vypněte počítač a odpojte napájecí adaptér ze zásuvky.



- Napájecí kabely adaptéru a periferních zařízení zapojte do řádně uzemněného zdroje napájení, abyste předešli úrazu elektrickým proudem. Tyto napájecí kabely mohou mít třívodičové zástrčky zajišťující uzemnění. Nepoužívejte adaptéry zástrček ani neodstraňujte zemnicí kolík. Používáte-li prodlužovací kabel, použijte vhodný dvojvodičový nebo třívodičový typ odpovídající napájecímu kabelu adaptéru.
- Zkontrolujte, zda na kabelu napájecího adaptéru nic neleží a zda kabel není umístěn tak, že by o něj mohl někdo zakopnout nebo na něj stoupnout.



- Používáte-li prodlužovací kabel s více zásuvkami, zapojte napájecí kabel adaptéru opatrně. Některé zásuvky prodlužovacích kabelů umožňují nesprávné zapojení zástrčky. Nesprávné zapojení zástrčky napájení může způsobit trvalé poškození počítače, úraz elektrickým proudem či požár. Zkontrolujte, zda se zemnicí kolík zástrčky zasouvá do odpovídajícího zemnicího kontaktu prodlužovacího kabelu.

Právní předpisy

Elektromagnetické rušení (EMI) jsou jakékoli signály nebo záření vyzařované do volného prostoru nebo vedené podél napájecích či signálových vodičů, které ohrožují funkci rádiové navigace nebo jiných bezpečnostních služeb nebo vážně snižují, zhoršují, nebo opakovaně přerušují licencované radiokomunikační služby. Radiokomunikační služby zahrnují například komerční rozhlasové vysílání AM/FM, televizi, služby mobilních telefonů, radary, řízení letového provozu, služby operátorů a osobní komunikační služby. Tyto licencované služby spolu s dalšími neúmyslnými zářiči (včetně počítačů) přispívají k elektromagnetickému prostředí.

Elektromagnetická kompatibilita (EMC) je schopnost součástí elektronických zařízení pracovat správně v daném elektronickém prostředí. Tento počítač byl konstruován a je určen k provozu v souladu s předpisy o limitních hodnotách EMI podle platných zákonných ustanovení, neexistují žádné záruky, že se u jednotlivých instalací neobjeví rušení. Pokud zařízení způsobuje interference s radiokomunikačními službami (což lze zjistit zapnutím a vypnutím zařízení), můžete se pokusit zjednat nápravu pomocí některého z následujících opatření:

- Změňte orientaci přijímací antény.
- Přemístěte počítač vzhledem k přijímači.
- Přemístěte počítač od přijímače.
- Zapojte počítač do jiné zásuvky, aby počítač a přijímač byly připojeny k různým okruhům.

V případě potřeby se poraďte s pracovníky technické podpory společnosti Dell nebo se zkušeným televizním či rozhlasovým technikem.

Počítače Dell jsou konstruovány, zkoušeny a označovány podle elektromagnetického prostředí, ve kterém mají pracovat. Tato klasifikace elektromagnetického prostředí odpovídá následujícím definicím:

- Třída A je typická pro komerční nebo průmyslové prostředí.
- Třída B je typická pro domácí prostředí.

Zařízení informačních technologií (ITE) včetně zařízení, rozšiřujících karet, tiskáren, zařízení vstupů a výstupů (I/O), monitorů atd., která jsou integrována nebo připojena k počítači, musí odpovídat klasifikaci elektromagnetického prostředí daného počítačového systému.

Poznámka ke stíněným signálovým kabelům: Ke snížení pravděpodobnosti interference s radiokomunikačními systémy používejte k připojení zařízení k jakémukoli zařízení Dell výhradně stíněné kabely. Použitím stíněných kabelů zajistíte zachování klasifikace EMC určené pro dané prostředí. Kabel pro paralelní tiskárny můžete získat od společnosti Dell. Kabel si můžete objednat u společnosti Dell na adrese <http://accessories.us.dell.com/>.

Většina počítačů Dell je klasifikována pro prostředí třídy B. Používání některých volitelných prvků příslušenství však může změnit zařazení některých konfigurací na třídu A. Elektromagnetickou klasifikaci vašeho počítače nebo zařízení naleznete v následujících oddílech pro jednotlivé orgány. Následující kapitoly poskytují informace EMC/EMI a bezpečnostní informace specifické pro vaši zemi.

Upozornění CE (Evropská unie)

Symbol **CE** označuje shodu tohoto počítače Dell se směrnicí EMC a směrnicí Evropské unie k nízkonapětovým zařízením. Toto označení znamená, že tento systém Dell vyhovuje následujícím technickým normám:

- EN 55022 - „Limits and Methods of Measurement of Radio Interference Characteristics of Information Technology Equipment“ (Limity a metody měření charakteristik radiové interference zařízení informačních technologií).
- EN 55024 - „Information technology equipment - Immunity characteristics - Limits and methods of measurement“ (Zařízení informačních technologií - charakteristiky odolnosti - limity a metody měření).
- EN 61000-3-2 - „Electromagnetic compatibility (EMC) - Part 3: Limits - Section 2: Limits for harmonic current emissions (Equipment input current up to and including 16 A per phase)“ (Elektromagnetická kompatibilita - část 3: limity - oddíl 2: limity emisí harmonických proudů pro zařízení se vstupním proudem do 16 A na fázi).
- EN 61000-3-3 - „Electromagnetic compatibility (EMC) - Part 3: Limits - Section 3: Limitation of voltage fluctuations and flicker in low-voltage supply systems for equipment with rated current up to and including 16 A“ (Elektromagnetická kompatibilita - část 3: limity - oddíl 3: limity kolísání a kmitání napětí v nízkonapětových zdrojích se jmenovitým proudem do 16 A).

- EN 60950 - „Safety of Information Technology Equipment“ (Bezpečnost zařízení informačních technologií).



POZNÁMKA: Požadavky na vyzářování normy EN 55022 uvádějí dvě klasifikace:

- Třída A pro typické komerční oblasti.
- Třída B pro typické obytné oblasti.

Toto zařízení Dell je klasifikováno pro použití v typickém obytném prostředí třídy B.

Podle požadavků předchozích direktiv a norem bylo připraveno „Prohlášení o shodě“, které je uloženo v pobočce Dell Computer Corporation Products Europe BV, Limerick, Irsko.

Shoda s normou EN 55022 (Pouze pro Českou republiku)

This device belongs to Class B devices as described in EN 55022, unless it is specifically stated that it is a Class A device on the specification label. The following applies to devices in Class A of EN 55022 (radius of protection up to 30 meters). The user of the device is obliged to take all steps necessary to remove sources of interference to telecommunication or other devices.

Pokud není na typovém štítku počítače uvedeno, že spadá do třídy A podle EN 55022, spadá automaticky do třídy B podle EN 55022. Pro zařízení zařazená do třídy A (ochranné pásmo 30 m) podle EN 55022 platí následující podmínky: Dojde-li k rušení telekomunikačních nebo jiných zařízení, je uživatel povinen provést taková opatření, aby rušení odstranil.

Upozornění ke značce CE

Toto zařízení splňuje požadavky evropské direktivy č. 1999/5/EC.

Dell™ Latitude™ C/Port II APR

Systeminformation

Bemærkninger, meddelelser og advarsler



BEMÆRK! En BEMÆRKNING angiver vigtige oplysninger, som du kan bruge til at udnytte computeren optimalt.



MEDDELELSE: En MEDDELELSE angiver enten mulig beskadigelse af hardware eller tab af data og oplyser dig om, hvordan du kan undgå dette problem.



ADVARSEL! En ADVARSEL angiver mulig tingskade, legemsbeskadigelse eller død.

Oplysningerne i dette dokument kan ændres uden varsel.

© 2001 Dell Computer Corporation. Alle rettigheder forbeholdes.

Enhver form for gengivelse uden skriftlig tilladelse fra Dell Computer Corporation er strengt forbudt.

Anvendte varemærker i denne tekst: *Dell*, *DELL*-logoet, *Latitude* og *DellWare* er varemærker tilhørende Dell Computer Corporation. *3Com* er et varemærke tilhørende 3Com Corporation, *Microsoft*, *Windows* og *Windows NT* er registrerede varemærker tilhørende Microsoft Corporation.

Andre varemærker og firmanavne kan være brugt i dette dokument til at henvise til enten de fysiske eller juridiske personer, som gør krav på mærkerne og navnene, eller til deres produkter. Dell Computer Corporation fraskriver sig enhver tingslig rettighed for så vidt angår varemærker og firmanavne, som ikke er deres egne.

Dette produkt inkorporerer teknologi til ophavsretlig beskyttelse, der er omfattet af metodekrav indeholdt i visse patenter i USA og andre immaterielle rettigheder, der ejes af Macrovision Corporation og andre rettighedsindehavere. Brug af denne teknologi til ophavsretlig beskyttelse skal være autoriseret af Macrovision Corporation og er kun beregnet til hjemmebrug og andre begrænsede former for gennemsyn, medmindre der er givet tilladelse til andet af Macrovision Corporation. Reverse engineering eller disassemblering er ikke tilladt.

Systeminformation

Dette dokument indeholder oplysninger om, hvordan du kommer i gang, sikkerheds-, godkendelses- og garantioplysninger vedrørende Dell Latitude C/Port II APR (udvidet portreplikering) samt oplysninger om andre tilgængelige Dell-dokumenter, og hvordan disse anskaffes.


Andre dokumenter til rådighed

- Dokumentationsopdateringer, der undertiden leveres sammen med dockingenheden og beskriver eventuelle ændringer af dockingenheden eller softwaren. Læs altid disse opdateringer, *inden* du læser anden dokumentation, da opdateringerne som oftest indeholder nyere oplysninger.
- Dokumentation, der leveres sammen med eventuelt ekstraudstyr, du anskaffer til dockingenheden. Denne dokumentation indeholder oplysninger, som du skal bruge til konfiguration og installation af ekstraudstyret på dockingenheden.

Sådan får du hjælp

Dell har et antal værktøjer, du kan bruge, hvis din dockingenhed ikke fungerer som forventet. Oplysninger om disse hjælpeværktøjer finder du i afsnittet "Sådan får du hjælp" i computerens *brugerhåndbog*.

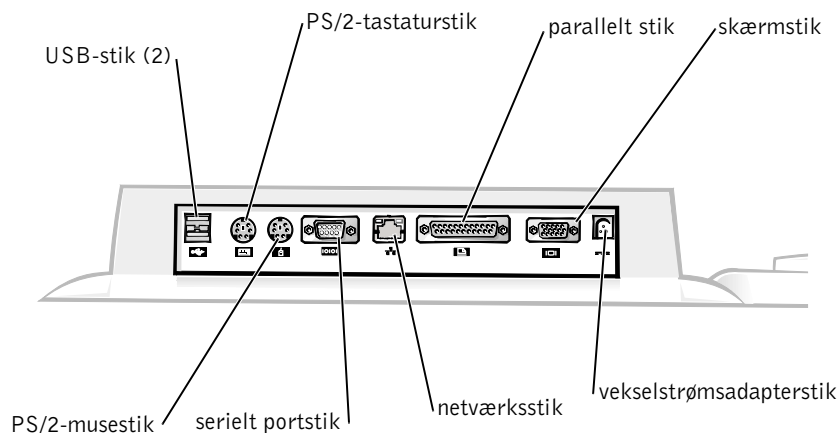
Gennemgang af dockingenheden

 **BEMÆRK!** Adviser din netværksadministrator, inden du slutter dockingenheden til et netværk.

Du skal slutte en vekselstrømsadapter til dockingenheden, inden du indsætter computeren i dockingenheden og tænder for den. Vekselstrømsadapteren forsyner samtidigt dockingenheden og computeren med strøm. Eventuelle batterier, der er installeret i computeren, bliver opladet, når du bruger dockingenheden.





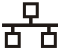



- ➔ **MEDDELELSE:** Brug altid den Dell PA-6-vekselstrømsadapter, der blev leveret sammen med dockingenheden. Hvis du bruger andre vekselsstrømsadapters eller en vekselsstrømsadapter fra ældre modeller af Dell-computere, kan du beskadige dockingenheden eller computeren.

I/O-panel på dockingenheden

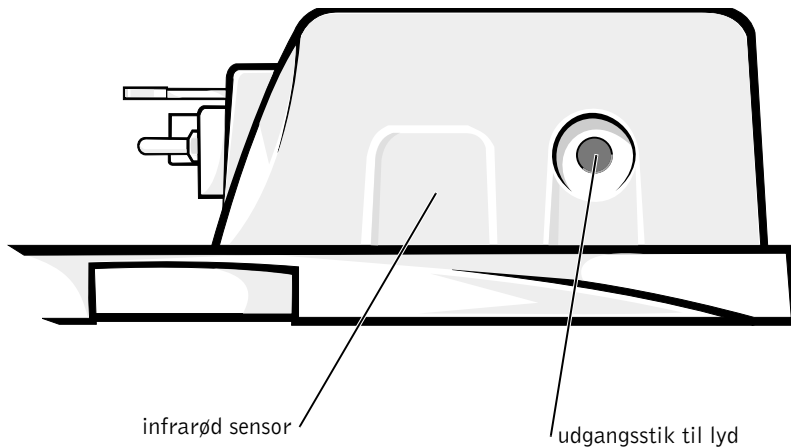


I tabellen Eksterne I/O-stik vises ikonerne for hvert stik på bagsiden af APR'en, samt hvilken type eksterne enheder du kan tilslutte hvert stik.

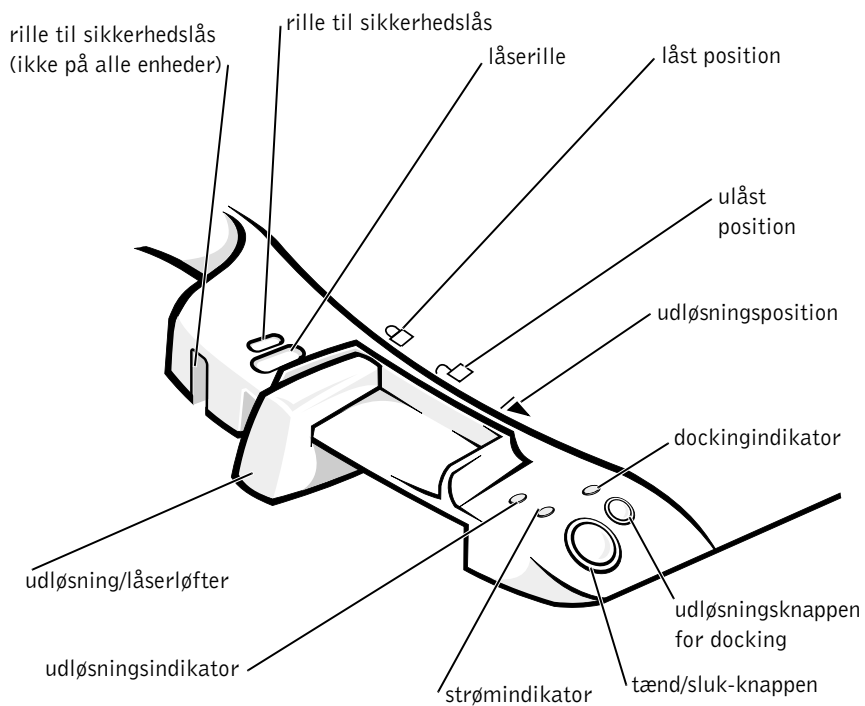
Eksterne I/O-stik

Stikikon	Stikbeskrivelse
	En eller to USB-enheder, f.eks. en USB-mus, kan sluttes til det dobbelte USB-stik.
	Et eksternt PS/2-tastatur eller et eksternt numerisk tastatur kan sluttes til PS/2-tastaturstikket.
	En eksternt PS/2-kompatibel mus kan sluttes til PS/2-musestikket.
	En seriel enhed, f.eks. en seriel mus eller et eksternt modem, kan sluttes til det serielle portstik.
	NIC-stikket passer til et netværkskabel.
	En parallel enhed, f.eks. en printer, kan sluttes til det parallelle portstik.
	En eksternt skærm kan sluttes til skærmstikket.
	Vekselstrømsadapteren, som fulgte med APR'en, kan sluttes til vekselstrømsadapterstikket.

Lydstik og infrarød sensor



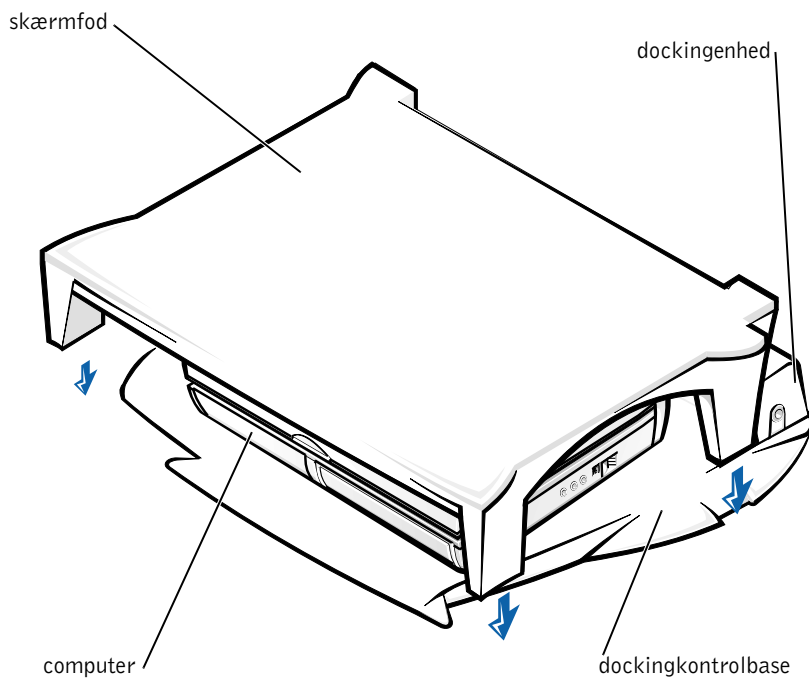
Dockingkontrolbasens betjening og indikatorer



Skærmfod

- ➔ **MEDDELELSE:** Skærmfoden er konstrueret til at kunne bære skærme, der vejer op til 45,3 kg. Tungere skærme kan ødelægge skærmfoden, computeren og dockingenheden.

Dockingenhed med skærmfod



BEMÆRK! Kontroller, at skærmfodens bagerste ben er på plads i rillerne på begge sider af dockingkontrolbasen.

Inden placering af computeren i dockingenheden

Hvis din computer kører med operativsystemet Microsoft® Windows® 9x, Windows NT® eller Windows Millennium (Me), skal du først kontrollere computeren for eksisterende dockingdrivere. Hvis computeren ikke er udstyret med dockingdrivere, skal du installere dem, før du placerer computeren i dockingenheden første gang. Udfør trinene under "Installation af dockingdriverne" for at installere dockingdrivere.



BEMÆRK! Hvis computeren kører med operativsystemet Windows XP eller Windows 2000, installeres driverne automatisk, og det er ikke nødvendigt at udføre trinene under "Installation af dockingdriverne". Gå til "Placering af computeren i dockingenheden".

Kontrol af computeren for eksisterende dockingdrivere

- 1 Dobbeltklik på **Denne computer**.
- 2 Dobbeltklik på **Kontrolpanel**.
- 3 Dobbeltklik på **Tilføj/fjern programmer**.
- 4 Find de korrekte dockingdrivere på listen over programmer.

I forbindelse med *Windows 9x* og *Windows Me* skal du se efter en driver med **Quick Install** i navnet. F.eks.: Dell Dock Quick Install for Windows.

I forbindelse med *Windows NT* skal du se efter **NT Softex Docking Services**.

Hvis din computer ikke har dockingdriverne, skal du gå videre til næste afsnit, "Installation af dockingdriverne". Hvis din computer har dockingdriverne, skal du gå til "Placering af computeren i dockingenheden".

Installation af dockingdriverne

Du kan installere dockingdriverne på følgende måder:

- Installer driverne fra *ressource-CD'en* eller fra *CD'en med drivere og værktøjer*, som fulgte med computeren eller dockingenheden.
- Hent driverne på Dells supportwebsted.

Installation af dockingdriverne fra *ressource-CD'en* eller fra **CD'en med drivere og værktøjer**

- 1 Indsæt *ressource-CD'en* eller **CD'en med drivere og værktøjer** i CD-drevet.

I de fleste tilfælde vil **CD'en** starte automatisk. Hvis den ikke starter automatisk, skal du starte Windows Stifinder, klikke på CD-mappedrevet for at få vist **CD'ens** indhold og derefter dobbeltklikke på **autorcd**-programfilen. Hvis der vises en velkomstskaerm, skal du klikke på **Næste**. Første gang du kører **CD'en**, kan du blive bedt om at installere nogle installationsfiler. Klik på **OK**, og følg instruktionerne på skærmen for at fortsætte.

- 2 Fra rullemenuen **Sprog** på værktøjslinjen kan du vælge det sprog, du foretrækker til driveren (hvis det er tilgængeligt).

Der vises en velkomstskaerm.

- 3 Klik på **Næste**.

- 4 Under **Søgekriterier** skal du vælge de relevante kategorier fra rullemenuerne **Systemmodel** og **Operativsystem**.

Hvis systemet kører Windows 9x eller Windows Me, skal du vælge Systemværktøjer i rullemenuen **Enhedstype** og derefter vælge **Drivere** fra rullemenuen **Emne**.

Hvis systemet kører Windows NT, skal du vælge Systemværktøjer i rullemenuen **Enhedstype** og derefter vælge **Funktioner** fra rullemenuen **Emne**.

Et eller flere link til de specifikke drivere eller funktioner, der bruges af computeren, vises.

- 5 *Hvis systemet kører Windows 9x eller Windows Me*, skal du klikke på linket til værktøjet **Dell Dock QuickInstall**.

Filen **Dell Dock QuickInstall** er et program, der installerer de nødvendige dockingdrivere på din computer.

Hvis computeren kører Windows NT, skal du klikke på linket til **Softex Docking Services**.

- 6 Klik på knappen **Installer** for at starte den automatiske installation. I velkomstskaermen skal du følge prompterne for at afslutte installationen.



BEMÆRK! Nogle ressource-CD'er kræver, at brugeren navigerer gennem mapperne for at finde det korrekte drev. Der findes flere oplysninger om, hvordan du geninstallerer drivere i *brugerhåndbogen*.

Installation af dockingdriverne fra Dells supportwebsted

- 1 Gå til Dells supportwebsted på <http://support.dell.com>. Hvis det er først gang, du besøger webstedet, skal du angive dit land ved at klikke på det viste kort.

Siden **Welcome to support.dell.com (Velkommen til support.dell.com)** åbnes.
- 2 Indtast oplysningerne om din dockingenhed, og klik derefter på **Go!**

Klik på **Downloads For Your Dell (Overførsler til din Dell)**.

Vinduet **Downloads For Your Dell (Overførsler til din Dell)** vises sammen med en kort formular, som du skal udfylde.
- 3 Angiv computerens servicenummer, eller vælg dit Dell-system.
- 4 Vælg operativsystem og sprog for operativsystemet.
- 5 Vælg **System and Configuration Utilities (System- og konfigurationsværktøjer)** som overførselskategori.
- 6 Klik på **Go!**.
- 7 *Hvis computeren kører Windows 9x eller Windows Me*, skal du klikke på linket til værktøjet **Dell Dock QuickInstall**.

Hvis computeren kører Windows NT, skal du finde og klikke på linket til **Softex Docking Services**.
- 8 Følg instruktionerne på skærmen for at hente og installere de nødvendige drivere.
- 9 Efter at du har hentet filerne, og før du installerer driverne, skal du gennemse filen **readme.txt**, som følger med de hentede filer, for vigtige oplysninger om installationen.

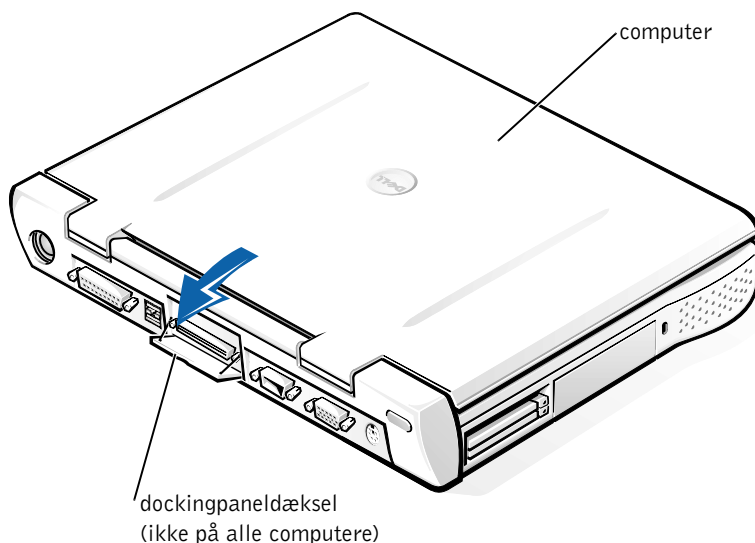
Placering af computeren i dockingenheden

Hvis du kobler en ekstern skærm til dockingenheden og tænder for skærmen, vises skærbilledet på den eksterne skærm. Du skifter billedet til computerskærmen eller til både den eksterne skærm og computerskærmen ved at trykke på <Fn><F8>.

Når du placerer computeren i dockingenheden og tænder for den, tændes den grønne strømindikator på dockingkontrolbasen ("se Dockingkontrolbasens betjening og indikatorer").

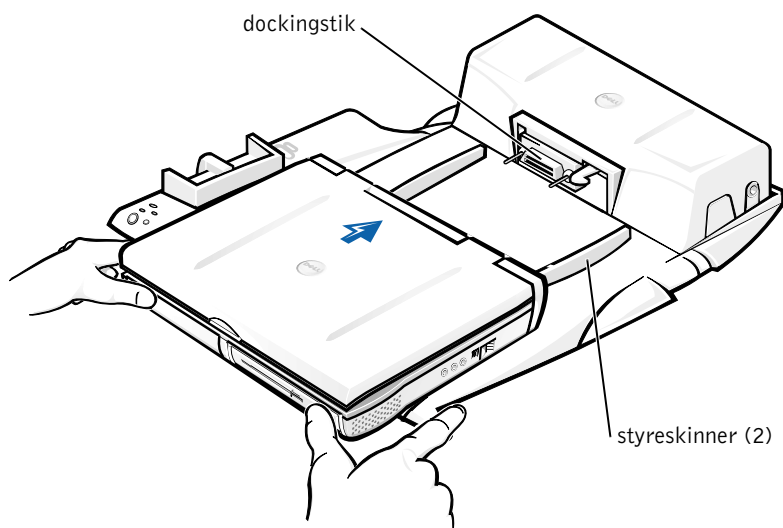
- ➔ **MEDDELELSE:** Gem åbne filer, før du placerer computeren i dockingenheden, for at undgå tab af data.
 - 1 Gem alle filer, luk og afslut alle programmer, afslut operativsystemet, og sluk for computeren.
- ➔ **MEDDELELSE:** Åbn dockingpaneldækslet, før du forsøger at placere computeren i dockingenheden, for at undgå at beskadige dockingstikket.
 - 2 Hvis computeren har et dockingpaneldæksel, skal du åbne dockingpaneldækslet bag på computeren.

Dockingpaneldæksel på computeren




- 3 Hvis du bruger dockingenheden sammen med en skærmfod, skal du lukke computerskærmen.
- 4 Sørg for at udløser/låsehåndtaget er i den ulåste position.
- 5 Placer computeren i dockingenheden på følgende måde:

Placering af computeren i dockingenheden




- a Placer computeren horisontalt og midt på platformen til APR'en med bagsiden af computeren mod dockingstikket i dockingenheden som vist i "Placering af computeren i dockingenheden".
 - b Lad computeren glide ind mod stikket, indtil du mærker rillerne i bunden af computeren glide på plads i styreskinnerne.
- ➔ **MEDDELELSE:** Hvis du forsøger at skubbe computeren hele vejen ind i APR'en, uden at den glider på plads i styreskinnerne, kan du beskadige dockingstikket på computeren permanent.
- ➔ **MEDDELELSE:** Computeren eller dockingenheden må ikke løftes separat, når de er forbundet, da det kan beskadige stikkene på computeren eller dockingenheden.

-  **MEDELELSE:** Hvis du bruger en skærm sammen med skærmfoden, skal du fjerne skærmen fra foden, før du flytter dockingkontrolbasen på plads.
- c Skub forsigtigt computeren frem, indtil dockingstikket er gledet helt på plads.

Placering af computeren i dockingenheden for første gang med Windows XP og Windows 2000

- 1 Placer din computer i dockingenheden, og tænd for den.
- 2 Tryk på <F2> under systemstart for at se programmet til indstilling af systemet.
- 3 Indstil **Docking IRQ** til **Optimeret**.
- 4 Indstil **Universal Connect (Universel forbindelse)** til **Aktiveret**.
- 5 Afslut programmet til indstilling af systemet.
Systemet fortsætter startprocessen.

I Windows 2000 vises guiden **Tilføj ny hardware**.

 **BEMÆRK!** Hvis computeren kører Windows XP, installeres driverne automatisk af operativsystemet. Hvis computeren kører Windows 2000, installeres driverne automatisk af guiden **Tilføj ny hardware**.

Placering af computeren i dockingenheden første gang med Windows Me

- 1 Placer din computer i dockingenheden, og tænd for den.
- 2 Tryk på <F2> under systemstart for at se programmet til indstilling af systemet.
- 3 Indstil **Docking IRQ** til **Optimeret**.
- 4 Indstil **Universal Connect (Universel forbindelse)** til **Aktiveret**.
- 5 Afslut programmet til indstilling af systemet.
Systemet fortsætter startprocessen.
Guiden **Tilføj ny hardware** vises.
- 6 Vælg **Søg efter den bedste driver til din enhed (Anbefales)**, og klik på **Næste**.
- 7 Klik på **Næste**.

- 8 Følg prompterne i guiden **Tilføj ny hardware**.
- 9 Vælg **Søg efter den bedste driver til din enhed (Anbefales)**, og klik på **Next**, når du bliver bedt om det.
- 10 Fortsæt med at følge prompterne for at afslutte installationen. Windows-skrivebordet vises, og installationen er fuldført.

Placering af computeren i dockingenheden første gang med Windows NT 4.0

- 1 Placer din computer i dockingenheden, og tænd for den.
- 2 Tryk enten på <F2> under systemstart, eller tryk på <Fn><F1>, efter at computeren er startet, for at se programmet til indstilling af systemet.
- 3 Indstil **Docking IRQ** til **Optimeret**.
- 4 Indstil **Universal Connect (Universel forbindelse)** til **Aktiveret**.
- 5 Afslut programmet til indstilling af systemet.
- 6 Tryk på <Ctrl><Alt> for at logge på.
Vinduet **Docking Station Setup (Opsætning af dockingstationen)** vises for at angive, at computeren skal fjernes fra dockingenheden for at fortsætte.
- 7 Klik på **OK**, og vent på, at computeren lukkes.
- 8 Fjern computeren fra dockingenheden (se "Fjernelse af computeren fra dockingenheden").
Computeren genstartes automatisk. Hvis den ikke gør det, skal du tænde for computeren.
- 9 Klik på **Start**, og vælg **Luk computeren**.
- 10 Vent på, at computeren lukkes helt, og placer derefter computeren i dockingenheden igen.
Computeren genstartes automatisk. Hvis den ikke gør det, skal du tænde for computeren.
- 11 Tryk på <Ctrl><Alt> for at logge på.
Computeren registrerer automatisk nye enheder.

- 12 Vælg **Installer driver leveret med system for den valgte enhed (Anbefales)**, når du bliver bedt om det, og klik på **OK**.
- 13 Klik på **Fortsæt** i vinduet **Windows NT Installation**.
- 14 Vælg **Installer driver leveret med system for den valgte enhed (Anbefales)**, og klik derefter på **OK**.
- 15 Vælg navnet på din NIC (network interface controller) fra rullemenuen.
- 16 Vælg, om din netværksadapter skal hente en IP-adresse fra en server, eller om en IP-adresse er angivet.
Kontakt systemadministratoren, hvis du ikke ved, hvad du skal vælge.
- 17 Følg prompterne for at fuldføre installationen.

Windows-skrivebordet vises, og installationen er fuldført.

Computeren kan ikke gå i tilstanden Luk ned, og gem ram på disk, mens den er placeret i dockingenheden.


Placering af computeren i dockingenheden første gang med Windows 98

- 1 Placer din computer i dockingenheden, og tænd for den.
- 2 Tryk enten på <F2> under systemstart, eller tryk på <Fn><F1>, efter at computeren er startet, for at se programmet til indstilling af systemet.
- 3 Indstil **Docking IRQ** til **Optimeret**.
- 4 Indstil **Universal Connect (Universel forbindelse)** til **Aktiveret**.
- 5 Afslut programmet til indstilling af systemet.
Computeren registrerer ny hardware.
- 6 Klik på **OK** i vinduet **Konfigurationsindstillinger**.
Guiden **Tilføj ny hardware** vises.
- 7 Klik på **Næste**.
- 8 Vælg **Søg efter den bedste driver til din enhed (Anbefales)**, og klik på **Næste**.

- 9 Fjern markeringen i afkrydsningsfeltet ud for hver indstilling, og klik på **Næste**.
Der vises et vindue, som oplyser, at Windows er klar til at installere den bedste driver til din enhed.
- 10 Følg prompterne i guiden **Tilføj ny hardware**.
- 11 Vælg **Søg efter den bedste driver til din enhed (Anbefales)**, og klik på **Næste**, når du bliver bedt om det.
- 12 Fortsæt med at følge prompterne for at afslutte installationen.

Windows-skrivebordet vises, og installationen er fuldført.

Placering af computeren i dockingenheden første gang med Windows 95

- 1 Placer din computer i dockingenheden, og tænd for den.
 - 2 Tryk enten på <F2> under systemstart, eller tryk på <Fn><F1>, efter at computeren er startet, for at se programmet til indstilling af systemet.
 - 3 Indstil **Docking IRQ** til **Optimeret**.
 - 4 Indstil **Universal Connect (Universel forbindelse)** til **Aktiveret**.
 - 5 Afslut programmet til indstilling af systemet.
Computeren registrerer automatisk ny hardware.
 - 6 Klik på **Ja** i vinduet **Ændring af systemindstillinger**.
Computeren starter igen og registrerer automatisk ny hardware.
 - 7 Klik på **OK** i vinduet **Netværk**.
 - 8 Vælg fanen **Identifikation** i det næste **netværksvindue**.
 - 9 Angiv et **computernavn** og en **arbejdsgruppe**, som vil identificere computeren på netværket, og klik på **Luk**.
Hvis du er i tvivl om, hvilket **computernavn** og hvilken **arbejdsgruppe** du skal angive, kan du spørge systemadministratoren.
-  **BEMÆRK!** Du skal angive et **computernavn** og en **arbejdsgruppe** for at kunne fortsætte driverinstallationen.
- Computeren kopierer automatisk filer og opbygger en database med driveroplysninger.

10 Klik på **OK** i vinduet **Konfigurationsindstillinger**.

11 Følg prompterne for at fuldføre installationen.

Windows-skrivebordet vises, og installationen er fuldført.



BEMÆRK! Hvis du vil bruge USB-stikkene, skal du installere USB-supplementet fra *ressource-CD'en* i biblioteket **Win95\OSUpdate**. Hvis du installerer USB-supplementet, kan din computer ikke gå i pausetilstand. Dell anbefaler, at du ikke installerer USB-supplementet, medmindre du har til hensigt at bruge USB-enheder.

Opdatering af drivere i Windows XP og Windows 2000

Sådan opdaterer du drivere i Windows XP og Windows 2000:

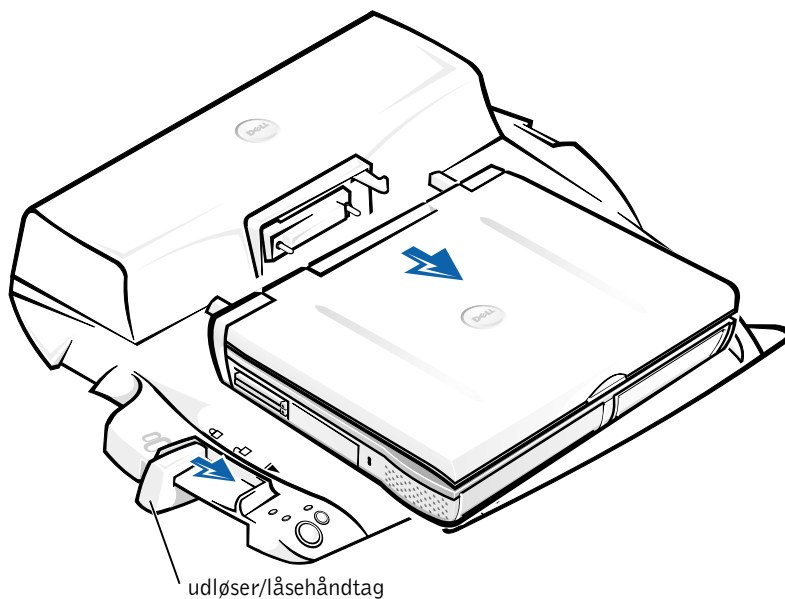
- 1** Højreklik på **Denne computer**, og klik på **Administrer**.
(I *Windows XP* skal du klikke på knappen **Start** for at få adgang til **Denne computer**. I *Windows 2000* er **Denne computer** placeret på Windows-skrivebordet).
- 2** I vinduet **Computerstyring** skal du klikke på **Enhedshåndtering** og dobbeltklikke på **Netværkskort**.
- 3** Dobbeltklik på **3Com 3C920 Integrated Fast Ethernet-controller**.
- 4** Klik på fanen **Driver**.
- 5** Klik på **Opdater driver...**, og følg prompterne.

Opdatering af drivere i Windows Me

Sådan opdaterer du drivere i Windows Me:

- 1** Højreklik på **Denne computer** på skrivebordet, og klik på **Egenskaber**.
- 2** I vinduet **Systemegenskaber** skal du klikke på fanen **Enhedshåndtering** og dobbeltklikke på **Netværkskort**.
- 3** Dobbeltklik på **3Com 3C920 Integrated Fast Ethernet-controller**.
- 4** Klik på fanen **Driver**.
- 5** Klik på **Opdater driver...**, og følg prompterne.

Fjernelse af computeren fra dockingenheden



- ➔ **MEDDELELSE:** Hvis der ikke er et batteri i computeren, slukkes computeren, når den fjernes fra dockingenheden, og data, der ikke er gemt, vil gå tabt.
- ➔ **MEDDELELSE:** Computeren skal altid gøres klar, inden den kobles fra dockingenheden. Hvis computeren frakobles, før den er gjort klar, vil data, der ikke er gemt, gå tabt, og computeren genoptager måske ikke normal drift i flere minutter, hvis den overhovedet gør det.

Du kan forberede computeren på frakoblingen ved at bruge en af nedenstående metoder:

- Tryk på <Fn><Esc> på computerens tastatur (eller på <Scroll Lock><Esc> på et eksternt tastatur).
Vent nogle få sekunder, til computerens strømindikator slukkes.

- I *Windows XP* skal du klikke på knappen **Start** og derefter på **Undock Computer (Fraddock computeren)**.

Windows 95, Windows 98, Windows Me eller Windows 2000 skal du klikke på knappen **Start** og derefter klikke på **Skub pc ud**.

Windows NT skal du klikke på dockingikonet på proceslinjen og derefter klikke på **Fra dock** for at sætte computeren i pausetilstand.

Vent nogle få sekunder, til computerens strømindikator slukkes.

- Tryk på udløsningsknappen for docking på dockingkontrollbasen (se figuren "Dockingkontrollbasens betjening og indikatorer"). Vent på, at den grønne dockingindikator slukkes.

Sikring af C/Port II APR

Sikkerhedsegenskaber

Dockingenheden har følgende sikkerhedsegenskaber:

- Et udløser/låsehåndtag, som gør det muligt at fastspænde og skubbe computeren ud. I den bagerste position fastspændes computeren i C/Port II APR. I den midterste position kan du bruge dockingenheden, uden at computeren fastspændes. I den forreste position skubbes computeren ud af dockingenheden. Skub udløser/låsehåndtaget til den bagerste position for at bruge låserillens sikkerhedslås og rillen til sikkerhedslåsen.
- En fjederlås forrest på dockingkontrollbasen, som passer ind i en sikkerhedsrille under computeren, fastspænder computeren til dockingkontrollbasen. Ikke alle Dell-computere har denne sikkerhedsrille.
- En udløsningsknap til en fastspændt medieåb, der blokerer fjernelse af medieåbsheder.
- Et ubevægeligt låsehåndtag, der forhindrer uautoriseret fjernelse af computeren.

Sikring af C/Port II APR

Brug en af følgende metoder til at sikre dockingenheden:

- Brug en lås alene eller en lås og et kabel med sikkerhedsløkke sammen med låserillen (se under "Dockingkontrollbasens betjening og indikatorer") på dockingenheden.

En lås alene blokerer udløserhåndtaget og gør det svært at fjerne computeren fra dockingenheden.

Et sikkerhedskabel, der vikles om et stationært objekt og bruges i forbindelse med låserillen, kan forhindre uautoriseret flytning af computeren og C/Port II APR.

- Fastgør en tyverisikring til rillen til sikkerhedslåsen (se under "Dockingkontrollbasens betjening og indikatorer") på dockingenheden.

Med tyverisikringen følger normalt et stykke snoet metalkabel med en lås og tilhørende nøgle. Oplysninger om, hvordan du installerer denne type tyverisikring, finder du i den dokumentation, der blev leveret sammen med enheden.

Dell-fejlfinding

Dell-fejlfinding, som blev leveret sammen med din Dell Latitude-computer, indeholder tests, som kan hjælpe dig med at finde fejl i controllerne i dockingenheden.

Undertestene i gruppen til kontrol af **netværksgrænseflade** under Dell-fejlfinding kontrollerer netværkscontrollerens grundlæggende funktioner i dockingenheden. De tester controllerens interne funktioner, herunder læse- og skriveadgang til dens registre og interne send og modtag-(lække)funktion.

Undertesterne i gruppen til kontrol af **serielle/infrarøde porte** kontrollerer dockingenhedens grænseflade til eksterne enheder (f.eks. en seriel mus eller en printer). Undertestene i denne kontrolgruppe er ikke beregnet til at finde fejl på selve den eksterne enhed.

Undertestene i gruppen til kontrol af USB kontrollerer dockingenhedens grænseflade til eksterne enheder, f.eks. en mus. Undertestene i denne kontrolgruppe er ikke beregnet til at finde fejl på selve den eksterne enhed.

Der findes flere oplysninger om, hvordan du bruger Dell-fejlfinding, i computerens *brugerhåndbog*.

Tekniske specifikationer

Tekniske specifikationer

Fysiske mål

Højde:

Med skærmfod 10,2 cm

Stand-alone 5,8 cm

Dybde:

Med skærmfod 39,0 cm

Stand-alone 35,8 cm

Bredde:

Med skærmfod 40,9 cm

Stand-alone 37,5 cm

Vægt:

Med skærmfod 3,0 kg

Stand-alone 1,6 kg

Strøm

Vekselstrømsadapterindgang:

Spænding 100-200VAC, 50-60 Hz

Strømstyrke 1,5 A

APRII-indgang

Spænding kræver 20 VDC fra vekselstrømsadapter

Strømstyrke 3,5 A

Tekniske specifikationer

I/O

Seriell (DTE)	16550-kompatibel, 16-byte bufferstik
Parallel	envejs, tovejs eller ECP-stik
PS/2	to mini DIN-stik
USB	to USB-kompatible stik
Infrarød	infrarød sensor kompatibel med IrDa-standarder 1.1 (Fast IR) og 1.0
Udgang til lyd	lydstik (til ekstra hovedtelefoner)
Video	et stik
Netværk	et RJ45-stik
Docking (til tilslutning til computeren)	et stik

Ethernet-netværkscontroller

Chipsæt	3Com® 3C920; 10/100 BASE-TX (PC99-kompatibel)
Databusbredde	32-bit PCI Host Bus-grænseflade
IRQ	IRQ10

Sikkerheds- og EMC-instruktioner: Bærbare computere

I det følgende defineres betydningen af de *ekstra* symboler, der *kun* bruges i forbindelse med sikkerheds- og EMC-instruktioner.



Eksplosionsfare



Fly



Brandfare



Brug af denne funktion er forbudt ombord på fly



Fare for elektrisk
stød



Sikkerhedsinstruktioner

Generelt

- Når du gør APR'en klar til brug, skal du placere den på en jævn overflade.
- Forsøg ikke at foretage vedligeholdelse af APR'en selv, medmindre du er en autoriseret servicetekniker. Følg altid installationsinstruktionerne nøje.
- Hvis du bruger en forlængerledning med vekselstrømsadapteren, skal du sørge for, at den samlede strømstyrke på de produkter, som forlængerledningen er tilsluttet, ikke overstiger forlængerledningens strømstyrke.



- Skub ikke genstande ind i computerens ventilationshuller eller andre åbninger. Dette kan forårsage brand eller elektrisk stød, idet indvendige komponenter kortsletter.



- Anbring vekselstrømsadapteren i et ventileret område, såsom på et skrivebord eller på gulvet, når den bruges til at forsyne computeren med strøm eller til at oplade batteriet. Tildæk ikke vekselstrømsadapteren med papir eller andet, som kan forhindre afkøling. Brug heller ikke vekselstrømsadapteren, mens den ligger i en taske.



- Brug ikke computeren i et vådt miljø, f.eks. i nærheden af et badekar, en håndvask eller et svømmebassin eller i en fugtig kælder.



- Som en hjælp til at undgå den potentielle fare for elektrisk stød bør du ikke tilslutte eller frakoble nogen kabler eller udføre vedligeholdelse eller rekonfiguration af dette produkt i tordenvejr. Brug ikke computeren i tordenvejr, medmindre alle kabler er frakoblet, og computeren kører på batterier.
- Brug kun den vekselstrømsadapter, der er godkendt til brug sammen med APR'en som angivet i dette dokument. Hvis du bruger en anden type batteripakke eller vekselstrømsadapter, kan der opstå brand eller eksplosion.
- Før du rengører dockingstationen, skal du slukke for den og frakoble vekselstrømsadapteren fra stikkontakten. Rengør dockingstationen med en blød klud fugtet med vand. Brug ikke flydende rengøringsmidler eller aerosolrengøringsmidler, som kan indeholde brændbare stoffer.



Strøm (Sikkerhedsinstruktioner)



- Brug kun den vekselstrømsadapter, der er leveret af Dell, og som er godkendt til brug sammen med APR'en. Hvis du bruger en anden vekselstrømsadapter, kan der være risiko for brand eller eksplosion.
- Før du tilslutter APR'en til en stikkontakt, skal du kontrollere vekselstrømsadapterens spænding for at sikre, at den nødvendige spænding og frekvens svarer til strømkilden.
- Hvis du vil fjerne strømmen fra computeren, skal du slukke for den og frakoble vekselstrømsadapteren fra stikkontakten.



- Sæt vekselstrømsadapteren og periferitetledninger i strømkilder med korrekt jordforbindelse som en hjælp til at forhindre elektrisk stød. Disse ledninger er udstyret med tre ben, som sikrer jordforbindelse. Brug ikke adapterstik, og fjern ikke det jordforbindende ben fra et ledningsstik. Hvis du bruger en forlængerledning, skal du bruge en med to- eller trebenede stik, som passer til netledningen.
- Sørg for, at der ikke er noget, som hviler på vekselstrømsadapterens netledning, og at ledningen ikke er lagt således, at man kan falde over den eller træde på den.



- Hvis du bruger en fordelerdåse, skal du være forsigtig, når du tilslutter vekselstrømsadapterens ledning til fordelerdåsen. I forbindelse med visse stikdåser er det muligt at komme til at isætte stikket forkert. Hvis du sætter stikket i forkert, kan det resultere i permanent beskadigelse af computeren, og der kan være risiko for elektrisk stød og/eller brand. Du skal sikre dig, at det jordforbindende ben på ledningsstikket er sat i det tilsvarende hul i stikdåsen.

Lovgivningsmæssige meddelelser

EMI (elektromagnetisk interferens) er ethvert signal eller enhver udladning, der udstråler i det frie rum eller ledes langs strøm- eller signalkabler, der bringer funktionen af radionavigation eller andre sikkerhedstjenester i fare, eller som væsentligt forringer, forhindrer eller gentagne gange afbryder en licenseret radiokommunikationstjeneste. Radiokommunikationssystemer omfatter, men er ikke begrænset til, AM/FM-udsendelser, TV, mobiltjenester, radar, kontrolsystemer til lufttrafik, personsøgere og personlige kommunikationstjenester. Disse licenserede tjenester, samt utilsigtede udstrålingsemner, f.eks. digitale enheder, herunder computere, indgår som bestanddele af det elektromagnetiske miljø.

Elektromagnetisk kompatibilitet er udtryk for elektroniske komponenters evne til at fungere korrekt sammen i det elektroniske miljø. Selv om dette computersystem er designet og bestemt til at overholde de gængse, fastlagte grænser for EMI, er der ingen garanti for, at interferens ikke vil kunne opstå i en bestemt installation. Hvis dette udstyr er årsag til forstyrrelser af radiokommunikationstjenester, hvilket kan fastslås ved at tænde og slukke for udstyret, anbefales det at forsøge at rette forstyrrelsen ved at følge en eller flere af følgende fremgangsmåder:

- Drej modtagerantennen.
- Placér computeren anderledes i forhold til modtageren.
- Flyt computeren væk fra modtageren.
- Tilslut computeren til en anden kontakt, så computeren og modtageren befinder sig i forskellige kredsløb.

Kontakt eventuelt en medarbejder fra Dells afdeling for teknisk support eller en erfaren radio/tv-tekniker, hvis du vil have yderligere løsningsforslag.

Dells computersystemer er designede, testede og klassificerede til det påregnede elektromagnetiske miljø. Disse elektromagnetiske miljøklassifikationer refererer generelt til følgende harmoniserede definitioner:

- Klasse A er typisk til erhvervs- eller industrielle miljøer.
- Klasse B er typisk til private miljøer.

ITE (Information Technology Equipment), herunder tilbehør, udvidelseskort, printere, input/output (I/O)-enheder, skærme osv., som er integreret i eller sluttet til systemet, bør opfylde computersystemets elektromagnetiske miljøklassifikation.


Bemærkning om afskærmede signalkabler: Brug kun afskærmede kabler til at tilslutte enheder til Dell-enheder for at formindske muligheden for interferens med radiokommunikationstjenester. Når der bruges afskærmede kabler, kan du være sikker på, at den korrekte EMC-klassificering til det tilsigtede miljø opretholdes. Dell har kabler til parallelle printere. Du kan bestille et kabel fra Dell på World Wide Web på adressen: <http://accessories.us.dell.com/>.

De fleste Dell-computersystemer er klassificerede til Klasse B-miljøer. Men medtagelse af bestemte indstillinger kan ændre denne klassificering til Klasse A. Du kan finde ud af, hvilken elektromagnetisk klassifikation, der er bestemt for din computer eller enhed, ved at læse følgende afsnit, som er specifik for hver enkelt regulerende myndighed. Hvert afsnit angiver specifikke oplysninger om EMC/EMI eller produktsikkerhed for hvert land.

Bemærkning om CE (EU)

Mærkning med symbolet **CE** angiver, at denne Dell-computer overholder direktiverne om EMC og lavspænding fra Den Europæiske Union. Mærkningen angiver, at dette Dell-system lever op til følgende tekniske standarder:

- EN 55022 – "Informationsteknologisk udstyr. Radiostøjskarakteristikker. Grænseværdier og målemetoder".
- EN 55024 – "Informationsteknologisk udstyr – Immunitetskarakteristikker – Grænseværdier og målemetoder".
- EN 61000-3-2 – "Elektromagnetisk kompatibilitet (EMC) – Del 3: Grænseværdier – Artikel 2: Grænseværdier for udsendelse af harmoniske strømme (udstyrets strømforbrug op til og inklusive 16 A per fase)".
- EN 61000-3-3 – "Elektromagnetisk kompatibilitet (EMC) – Del 3: Grænseværdier – Artikel 3: Begrænsning af spændingsfluktuationer og flimmer i lavspændingsforsyninger fra udstyr med mærkestrøm op til og med 16 A".
- EN 60950 – "Databehandlingsudstyr og elektriske kontormaskiner".

 **BEMÆRK!** De i EN 55022 beskrevne krav til udsendelse af stråler har to mulige klassifikationer:

- Klasse A er typisk til brug inden for kommercielle områder.
- Klasse B er typisk til brug i hjemmet.

Denne Dell-enhed er klassificeret til brug i et typisk Klasse B-hjemmemiljø.

Der er udarbejdet en overensstemmelseserklæring i overensstemmelse med de foregående direktiver og standarder. Denne erklæring er registreret hos Dell Products Europe BV, Limerick, Irland.

Overensstemmelse med EN 55022 (kun Tjekket)

Denne enhed hører til Klasse B-enheder som beskrevet i EN 55022, medmindre det er udtrykkeligt angivet på specifikationsmærkatet, at det er en Klasse A-enhed. Følgende gælder for enheder i Klasse A i henhold til EN 55022 (beskyttelsesradius på op til 30 meter). Brugeren af denne enhed er forpligtet til at tage alle nødvendige forholdsregler for at fjerne kilder, der kan forstyrre telekommunikation eller andre enheder.

Pokud není na typovém štítku počítače uvedeno, že spadá do třídy A podle EN 55022, spadá automaticky do třídy B podle EN 55022. Pro zařízení zařazená do třídy A (ochranné pásmo 30m) podle EN 55022 platí následující. Dojde-li k rušení telekomunikačních nebo jiných zařízení, je uživatel povinen provést taková opatření, aby rušení odstranil.

Polish Center for Testing and Certification Notice

Udstyret bør kun forsynes med strøm fra et stik med en beskyttelsesstrømkreds (et trebenet stik). Al udstyr, der arbejder sammen (computer, skærm, printer osv.), bør have samme strømforsyningskilde.

Faseledningen i rummets elektriske installation bør have en ekstra kortslutningsbeskyttelsesenhed i form af en sikring med en nominel værdi, der ikke overstiger 16 ampere (A).

Hvis udstyret skal slukkes helt, skal strømforsyningskablet tages ud af stikket, som bør befinde sig tæt ved udstyret og være lettilgængeligt.

Beskyttelsesmærkat "B" bekræfter, at udstyret overholder kravene om beskyttelsesanvendelse i henhold til PN-93/T-42107 og PN-EN 55022: 1996.

Wymagania Polskiego Centrum Badań i Certyfikacji

Urządzenie powinno być zasilane z gniazda z przyłączonym obwodem ochronnym (gniazdo z kołkiem). Współpracujące ze sobą urządzenia (komputer, monitor, drukarka) powinny być zasilane z tego samego źródła.

Instalacja elektryczna pomieszczenia powinna zawierać w przewodzie fazowym rezerwową ochronę przed zwarciami, w postaci bezpiecznika o wartości znamionowej nie większej niż 16A (amperów).

W celu całkowitego wyłączenia urządzenia z sieci zasilania, należy wyjąć wtyczkę kabla zasilającego z gniazdka, które powinno znajdować się w pobliżu urządzenia i być łatwo dostępne.

Znak bezpieczeństwa "B" potwierdza zgodność urządzenia z wymaganiami bezpieczeństwa użytkownika zawartymi w PN-93/T-42107 i PN-EN 55022:1996.

Jeżeli na tabliczce znamionowej umieszczono informację, że urządzenie jest klasy A, to oznacza to, że urządzenie w środowisku mieszkalnym może powodować zakłócenia radioelektryczne. W takich przypadkach można żądać od jego użytkownika zastosowania odpowiednich środków zaradczych.

Pozostałe instrukcje bezpieczeństwa

- Nie należy używać wtyczek adapterowych lub usuwać kołka obwodu ochronnego z wtyczki. Jeżeli konieczne jest użycie przedłużacza to należy użyć przedłużacza 3-żyłowego z prawidłowo połączonym przewodem ochronnym.
- System komputerowy należy zabezpieczyć przed nagłymi, chwilowymi wzrostami lub spadkami napięcia, używając eliminatora przepięć, urządzenia dopasowującego lub bezzakłócenowego źródła zasilania.
- Należy upewnić się, aby nic nie leżało na kablach systemu komputerowego, oraz aby kable nie były umieszczone w miejscu, gdzie można byłoby na nie nadeptywać lub potykać się o nie.
- Nie należy rozlewać napojów ani innych płynów na system komputerowy.
- Nie należy wpychać żadnych przedmiotów do otworów systemu komputerowego, gdyż może to spowodować pożar lub porażenie prądem, poprzez zwarcie elementów wewnętrznych.
- System komputerowy powinien znajdować się z dala od grzejników i źródeł ciepła. Ponadto, nie należy blokować otworów wentylacyjnych. Należy unikać kładzenia luźnych papierów pod komputer oraz umieszczania komputera w ciasnym miejscu bez możliwości cyrkulacji powietrza wokół niego.

Bemærkning om CE-mærkning

Denne enhed opfylder kravene i EU-direktiv 1999/5/EC.

Dell™ Latitude™ C/Port II APR

Systeminformatiegids

Opmerkingen, kennisgevingen en voorzichtig-meldingen



OPMERKING: Een OPMERKING duidt belangrijke informatie aan voor een beter gebruik van de computer.



KENNISGEVING: Een KENNISGEVING duidt mogelijke beschadiging van de hardware of gegevensverlies aan en geeft aan hoe u dit probleem kunt voorkomen.



VOORZICHTIG: Een **VOORZICHTIG**-melding duidt het risico op schade aan eigendommen, persoonlijk letsel of de dood aan.

De informatie in dit document kan zonder voorafgaande kennisgeving worden gewijzigd.
© 2001 Dell Computer Corporation. Alle rechten voorbehouden.

Verveelvoudiging van dit materiaal, op welke wijze dan ook, is alleen toegestaan na uitdrukkelijke, schriftelijke toestemming van Dell Computer Corporation.

Handelsmerken in dit document: *Dell*, het *DELL*-logo, *Latitude* en *DellWare* zijn handelsmerken van Dell Computer Corporation; *3Com* is een handelsmerk van 3Com Corporation; *Microsoft*, *Windows* en *Windows NT* zijn gedeponeerde handelsmerken van Microsoft Corporation.

Andere handelsmerken en handelsnamen die mogelijk in dit document worden gebruikt, dienen ter aanduiding van de rechthebbenden met betrekking tot de merken en namen of ter aanduiding van hun producten. Dell Computer Corporation claimt op geen enkele wijze enig eigendomsrecht ten aanzien van andere handelsmerken of handelsnamen dan zijn eigen handelsmerken en handelsnamen.

Dit product maakt gebruik van copyright-beschermingstechnologie die wordt beschermd door claims van bepaalde U.S. patenten en andere intellectuele eigendomsrechten in het bezit van Macrovision Corporation en andere rechthebbenden. Deze copyright-beschermingstechnologie mag alleen worden gebruikt na toestemming van Macrovision Corporation en is alleen bedoeld voor thuisgebruik en andere, beperkte, weergavedoeleinden, tenzij anders is bepaald door Macrovision Corporation. Reverse-engineering en disassembleren is verboden.

Systeeminformatiegids

Dit document bevat informatie over de installatie, veiligheidsmaatregelen, de garantie en andere voorschriften met betrekking tot uw Dell Latitude C/Port II Advanced Port Replicator (APR). U vindt hier tevens informatie over andere beschikbare Dell-documenten en over hoe u deze in uw bezit kunt krijgen.

Overige beschikbare documenten

- Aanvullingen op de documentatie die soms met uw dockingstation worden meegeleverd en waarin wijzigingen met betrekking tot uw dockingstation of software worden beschreven. De bijgewerkte versie bevat gewoonlijk de recentste informatie. Het is dan ook raadzaam de bijgewerkte versie altijd door te lezen *voordat* u andere documentatie raadpleegt.
- Documentatie die behoort bij opties die afzonderlijk van uw dockingstation zijn aangeschaft. Deze documenten bevatten informatie die u nodig heeft voor het configureren en installeren van deze opties in uw dockingstation.

Help opvragen

Dell biedt een aantal hulpmiddelen die u kunt gebruiken wanneer uw dockingstation niet naar wens functioneert. Informatie over deze hulpmiddelen vindt u in het gedeelte "Help opvragen" in de on line *Gebruikershandleiding* van uw computer.

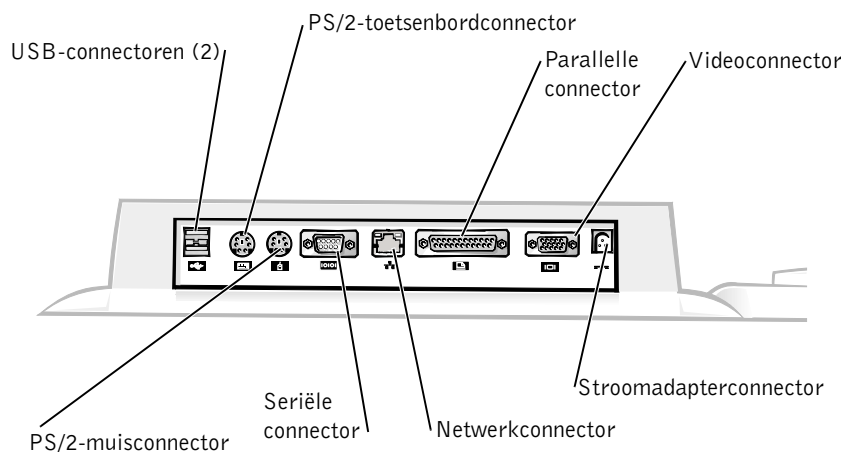
Overzicht van het dockingstation

OPMERKING: Neem contact op met de netwerkbeheerder voordat u het dockingstation op een netwerk aansluit.

U moet een wisselstroomadapter aan het dockingstation bevestigen voordat u de computer op het dockingstation aansluit en aanzet. De wisselstroomadapter voorziet het dockingstation en de computer tegelijkertijd van stroom. In de computer geïnstalleerde accu's worden opgeladen terwijl u het dockingstation gebruikt.





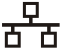



KENNISGEVING: Gebruik altijd de Dell PA-6-wisselstroomadapter die met het dockingstation is meegeleverd. Wanneer u een wisselstroomadapter van derden of de wisselstroomadapter van een ouder model Dell-computer gebruikt, zou u het dockingstation of de computer kunnen beschadigen.

I/O-paneel van het dockingstation

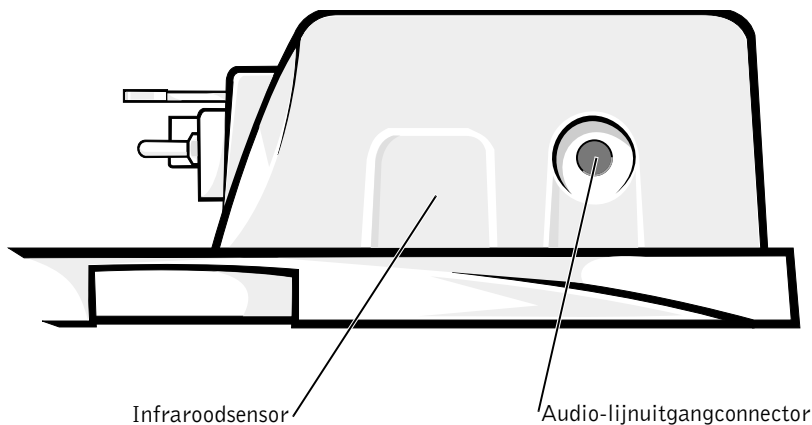


In de tabel "Externe I/O-connectoren" worden pictogrammen weergegeven voor de connectoren aan de achterzijde van de APR en het type extern apparaat dat op elke connector kan worden aangesloten.

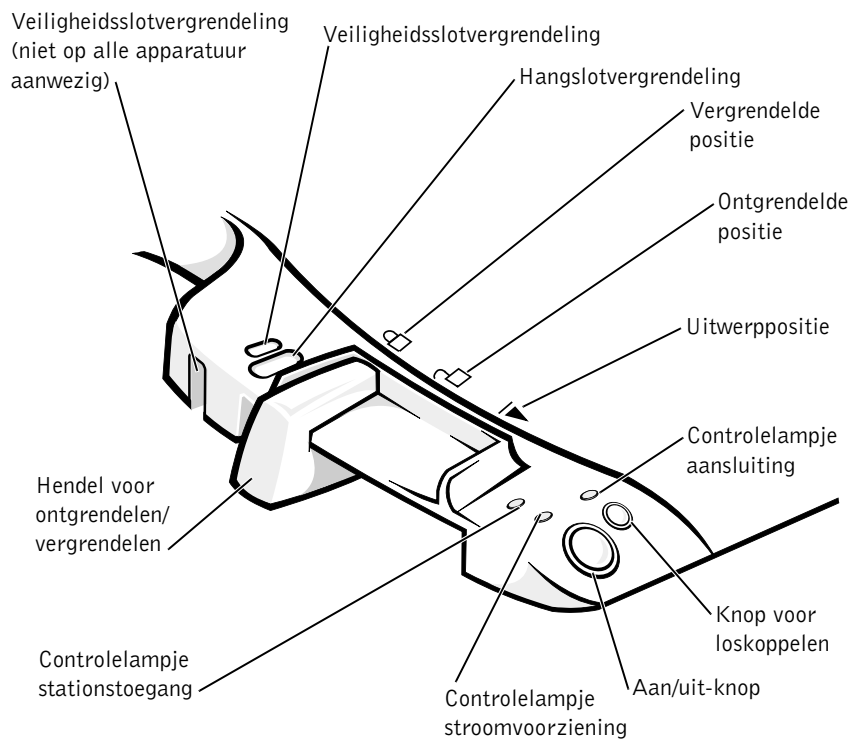
Externe I/O-connectoren

Connector-pictogram	Connectorbeschrijving
	Een of twee USB-apparaten, zoals een USB-muis, sluit u aan op de dubbele USB-connector.
	Een extern met Personal System/2 (PS/2) compatibel toetsenbord of extern numeriek toetsenblok sluit u aan op de PS/2-toetsenbordconnector.
	Een externe met Personal System/2 (PS/2) compatibele muis sluit u aan op de PS/2-muisconnector.
	Een serieel apparaat, zoals een seriële muis of externe modem, sluit u aan op de seriële poortconnector.
	Een netwerkinterfacekabel sluit u aan op de NIC-connector.
	Een parallel apparaat, zoals een printer, sluit u aan op de parallelle poortconnector.
	Een externe monitor sluit u aan op de videoconnector.
	De stroomadapter die met de APR is meegeleverd, sluit u aan op de stroomadapterconnector.

Audioconnectoren en infraroodsensor



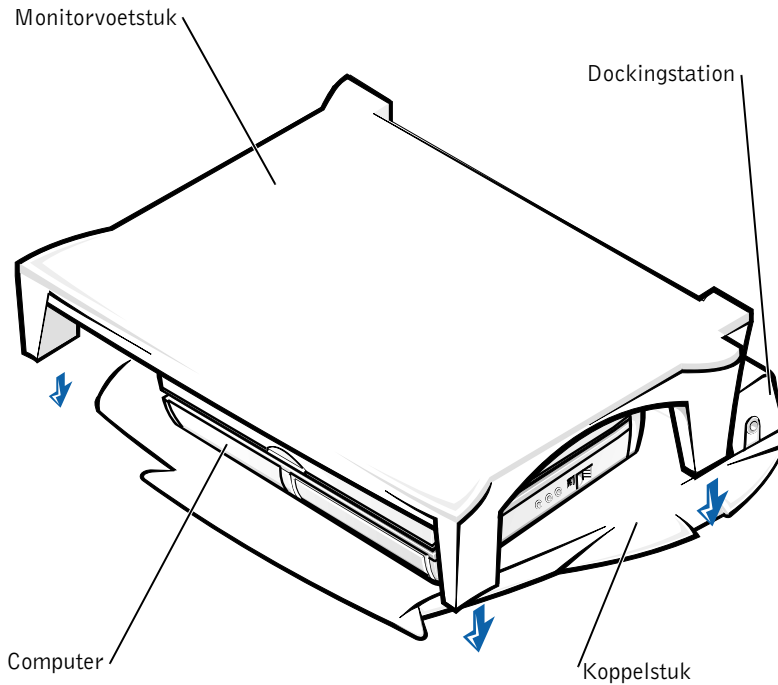
Besturingselementen en controlelampjes op het koppelstuk



Monitorvoetstuk

- ➔ **KENNISGEVING:** Het voetstuk ondersteunt monitors tot een maximumgewicht van 45,3 kilogram (kg). Zwaardere monitors kunnen mogelijk het voetstuk, de computer en het dockingstation beschadigen.

Het dockingstation met het monitorvoetstuk



OPMERKING: Controleer of de poten aan de achterzijde van het monitorvoetstuk in de sleuven aan beide zijden van het koppelstuk vallen.

Voordat u de computer aansluit op het dockingstation

Als uw computer onder het Microsoft® Windows® 9x-, Windows NT®- of het Windows Millennium (Me)-besturingssysteem draait, moet u uw computer eerst controleren op aanwezige dockingdrivers. Als geen dockingdrivers op uw computer zijn geïnstalleerd, installeert u deze voordat u de computer voor de eerste keer aansluit op het dockingstation. Voor het installeren van de dockingdrivers volgt u de stappen in "Dockingdrivers installeren".



OPMERKING: Als uw computer onder het besturingssysteem Windows XP of Windows 2000 draait, zijn de stuurprogramma's reeds automatisch geïnstalleerd en hoeft u de stappen in "Dockingdrivers installeren" niet uit te voeren. U kunt direct doorgaan naar "De computer aansluiten".

Controleer uw computer op de aanwezigheid van dockingdrivers

- 1 Dubbelklik op **My Computer (Deze computer)**.
- 2 Dubbelklik op **Control Panel (Configuratiescherm)**.
- 3 Dubbelklik op **Add/Remove Programs (Software)**.
- 4 Zoek naar de juiste dockingdrivers in de programmalijs.

Zoek voor Windows 9x en Windows Me naar het stuurprogramma met **Quick Install** in de naam. Bijvoorbeeld: Dell Dock Quick Install for Windows.

Zoek voor Windows NT naar **NT Softex Docking Services**.

Als uw computer geen dockingdrivers heeft, gaat u naar het volgende gedeelte, "Dockingdrivers installeren". Als uw computer wel dockingdrivers heeft, gaat u naar het gedeelte "De computer aansluiten".

Dockingdrivers installeren

U kunt uw dockingdrivers op een van de volgende manieren installeren:

- Installeer de stuurprogramma's vanaf de *ResourceCD (Bron-CD)* of de *CD Drivers and Utilities (Stuur- en hulpprogramma's)* die met uw computer of dockingstation is meegeleverd.
- Download de stuurprogramma's vanaf de Dell support-website.

De dockingdrivers installeren vanaf de *ResourceCD (Bron-CD)* of de *CD Drivers and Utilities (Stuur- en hulpprogramma's)*

- 1** Plaats de *ResourceCD (Bron-CD)* of de *CD Drivers and Utilities (Stuur- en hulpprogramma's)* in het CD-ROM-station.

In de meeste gevallen zal de CD automatisch worden uitgevoerd. Als dit niet het geval is, start u Windows Explorer, klikt u op de directory van het CD-ROM-station om de inhoud van de CD weer te geven en dubbelklikt u vervolgens op het toepassingsbestand **autorcd**. Als een welkomstschermb wordt weergegeven, klikt u op **Next (Volgende)**. De eerste keer dat u de CD uitvoert, kunt u de melding krijgen dat u een aantal installatiebestanden moet installeren. Klik op **OK** en volg de instructies op het scherm om door te gaan.

- 2** Selecteer in het vervolgkeuzemenu **Language (Taal)** op de werkbalk de gewenste taal voor het stuurprogramma (indien beschikbaar).

Er wordt een welkomstschermb weergegeven.

- 3** Klik op **Next (Volgende)**.

- 4** Selecteer onder **Zoekcriteria** de juiste categorieën uit de vervolgkeuzemenu's **System Model (Systeemmodel)** en **Operating System (Besturingssysteem)**.

Als u het besturingssysteem Windows 9x of Windows Me gebruikt, selecteert u System Utilities (Systeemhulpprogramma) in het vervolgkeuzemenu **Device Type (Type stuurprogramma)** en selecteert u vervolgens **Drivers (Stuurprogramma's)** in het vervolgkeuzemenu **Topic (Onderwerp)**.

Als u het besturingssysteem Windows 9x of Windows Me gebruikt, selecteert u System Utilities (Systeemhulpprogramma) in het vervolgkeuzemenu **Device Type (Type stuurprogramma)** en selecteert u vervolgens **Drivers (Stuurprogramma's)** in het vervolgkeuzemenu **Topic (Onderwerp)**.

Er worden een of meer koppelingen weergegeven voor de opgegeven stuurprogramma's of hulpprogramma's die uw computer gebruikt.

- 5 Als u het besturingssysteem Windows 9x of Windows Me gebruikt, klikt u op de koppeling voor het hulpprogramma **Dell Dock QuickInstall**.

Het bestand **Dell Dock QuickInstall** is een hulpprogramma waarmee de vereiste dockingdrivers op uw computer wordt geïnstalleerd.

Als u het besturingssysteem Windows NT gebruikt, klikt u op de koppeling voor **Softex Docking Services**.

- 6 Klik op de knop **Install (Installeren)** om de automatische installatie te starten. Volg in het welkomtscherm de instructies om de installatie te voltooien.



OPMERKING: Bij sommige ResouceCD's (Bron-CD's) moeten gebruikers door de mappen navigeren om het juiste stuurprogramma te verkrijgen. Zie voor volledige instructies voor het opnieuw installeren van stuurprogramma's de *Gebruikershandleiding*.

Dockingdrivers installeren vanaf de Dell support-website

- 1 Ga naar de Dell support-website op <http://support.dell.com>. Als u de website voor de eerste keer bezoekt, geeft u het land waarin u woont op door te klikken op de kaart die wordt weergegeven.

De **welkomstpagina** wordt weergegeven.

- 2 Voer uw dockingstationgegevens in en klik vervolgens op **Go!**
Klik op **Downloads For Your Dell (Downloads voor uw systeem)**.

Het venster **Downloads For Your Dell (Downloads voor uw systeem)** wordt weergegeven, dat een kort formulier bevat dat u moet invullen.



- 3 Voer de System Service Tag van het systeem in, of selecteer uw Dell-systeem.
- 4 Selecteer uw besturingssysteem en de taal van dat systeem.
- 5 Selecteer **System and Configuration Utilities (Systeem- en configuratiehulpprogramma's)** als uw downloadcategorie.

- 6 Klik op **Go!**.
- 7 *Als u het besturingssysteem Windows 9x of Windows Me gebruikt,* zoekt u de koppeling voor het hulpprogramma **Dell Dock QuickInstall** en klikt u erop.
Als u het besturingsprogramma Windows NT gebruikt, zoekt u de koppeling voor **Softex Docking Services** en klikt u erop.
- 8 Volg de aanwijzingen op het scherm om de vereiste stuurprogramma's te downloaden en te installeren.
- 9 Nadat u de bestanden heeft gedownload en voordat u de stuurprogramma's installeert, is het raadzaam eerst het bestand **readme.txt** te lezen dat belangrijke gegevens over de installatie bevat. Dit bestand is gelijktijdig met de andere bestanden gedownload.

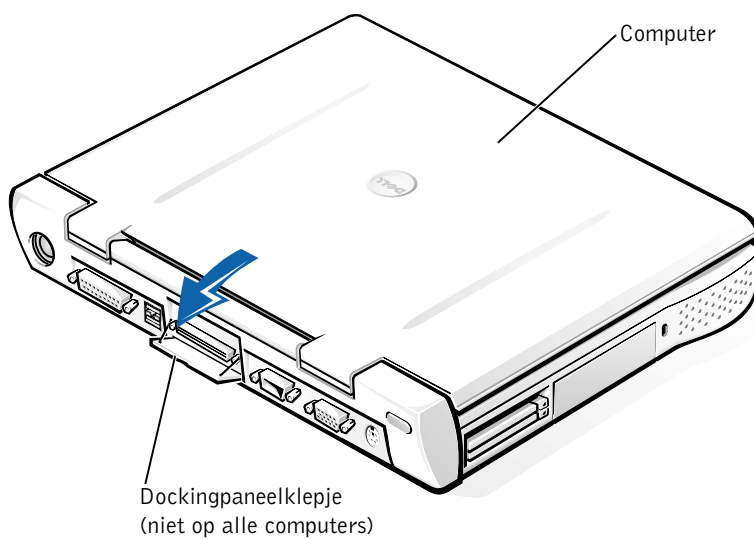
De computer aansluiten

Als u een monitor op het dockingstation aansluit en deze aanzet, verschijnt het beeld op de monitor. Als u tussen beeldweergave op de monitor en op het computerscherm wilt schakelen, drukt u op <Fn><F8>.

Als u de computer op het dockingstation aansluit en de computer aanzet, gaat het groene lichtje op het koppelstuk branden (zie "Besturingselementen en controlelampjes op het koppelstuk").

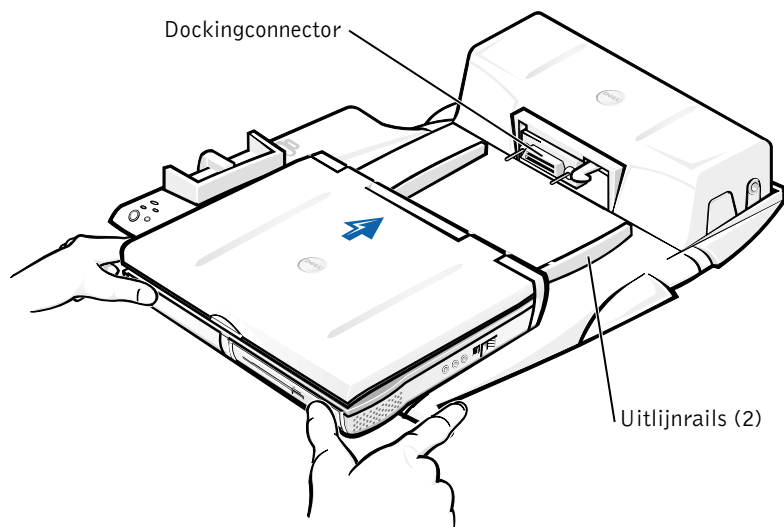
-  **KENNISGEVING:** Sla alle geopende bestanden op voordat u uw computer aansluit op het dockingstation, om te voorkomen dat u gegevens verliest.
- 1 Sla alle bestanden op, sluit alle programma's af en verlaat deze, sluit het besturingssysteem af en zet de computer uit.
-  **KENNISGEVING:** U kunt schade aan de dockingconnector voorkomen door het klepje van het dockingpaneel te openen voordat u de computer op het dockingstation aansluit.
- 2 Als de computer een dockingpaneelklepje heeft, opent u dit klepje aan de achterkant van de computer.

Dockingpaneelklepje van computer



- 3 Als u het dockingstation gebruikt in combinatie met een monitorvoetstuk, sluit u het computerscherm.
- 4 Zorg dat de hendel voor ontgrendelen/vergrendelen in de ontgrendelpositie staat.
- 5 Sluit de computer als volgt aan op het dockingstation:

De computer aansluiten



- a Centreer de computer horizontaal op het APR-koppelstuk, met de achterkant van de computer in de richting van de dockingconnector, zoals is aangegeven bij "De computer aansluiten".
- b Schuif de computer in de richting van de connector totdat de groeven op de onderkant van de computer in de uitlijnrails vallen.

➔ **KENNISGEVING:** Als u de computer helemaal in de APR duwt zonder dat de groeven in de uitlijnrails vallen, kunt u de dockingconnector op de computer onherstelbaar beschadigen.

➔ **KENNISGEVING:** Als de computer en het dockingstation op elkaar zijn aangesloten, moet u nooit de computer of het dockingstation afzonderlijk oppakken. Als u dat wel doet, kunt u de connectoren op de computer en het dockingstation beschadigen.

➔ **KENNISGEVING:** Als u een monitor op het voetstuk gebruikt, verwijdert u de monitor voordat u het koppelstuk op zijn plaats zet.

- c Duw de computer voorzichtig naar voren tot deze volledig in de dockingconnector zit.

Een computer met Windows XP en Windows 2000 voor de eerste keer aansluiten op het dockingstation

- 1 Sluit uw computer aan op het dockingstation en start deze op.
- 2 Druk tijdens het opstarten op <F2> om het setup-programma van het systeem weer te geven.
- 3 Stel **Docking IRQ** (Docking Interrupt Request) in op **Optimized** (Geoptimaliseerd).
- 4 Stel **Universal Connect** (Universeel verbinden) in op **Enabled** (Ingeschakeld).
- 5 Sluit het setup-programma af.

De opstartprocedure wordt voortgezet.

Onder Windows 2000 wordt de **Add New Hardware Wizard** (Wizard Nieuwe hardware toevoegen) weergegeven.



OPMERKING: *Onder Windows XP* worden de stuurprogramma's automatisch geïnstalleerd. *Onder Windows 2000* worden de stuurprogramma's automatisch via de Wizard Add New Hardware (Nieuwe hardware toevoegen) geïnstalleerd.

Een computer met Windows Me voor de eerste keer aansluiten op het dockingstation

- 1 Sluit uw computer aan op het dockingstation en start deze op.
- 2 Druk tijdens het opstarten op <F2> om het setup-programma van het systeem weer te geven.
- 3 Stel **Docking IRQ** (Docking Interrupt Request) in op **Optimized** (Geoptimaliseerd).
- 4 Stel **Universal Connect** (Universeel verbinden) in op **Enabled** (Ingeschakeld).
- 5 Sluit het setup-programma af.

De opstartprocedure wordt voortgezet.

De Wizard Add New Hardware (Nieuwe hardware toevoegen) wordt weergegeven.

- 6 Selecteer **Search for the Best Driver for Your Device (Recommended)** (Het beste stuurprogramma voor uw apparaat zoeken (aanbevolen)) en klik op **Next (Volgende)**.
- 7 Klik op **Next (Volgende)**.
- 8 Volg de instructies in de **Wizard Add New Hardware (Nieuwe hardware toevoegen)**.
- 9 Wanneer hierom wordt gevraagd, selecteert u **Search for the Best Driver for Your Device (Recommended)** (Het beste stuurprogramma voor uw apparaat zoeken (aanbevolen)) en klikt u vervolgens op **Next (Volgende)**.
- 10 Volg de instructies om de installatie te voltooien.
Het Windows-bureaublad wordt weergegeven en de installatie is voltooid.

Een computer met Windows NT 4.0 voor de eerste keer aansluiten op het dockingstation

- 1 Sluit uw computer aan op het dockingstation en start deze op.
- 2 Druk tijdens het opstarten op <F2> of druk na het opstarten op <Fn><F1> om het setup-programma van het systeem weer te geven.
- 3 Stel **Docking IRQ (Docking Interrupt Request)** in op **Optimized (Geoptimaliseerd)**.
- 4 Stel **Universal Connect (Universeel verbinden)** in op **Enabled (Ingeschakeld)**.
- 5 Sluit het setup-programma af.
- 6 Druk op <Ctrl><Alt> om in te loggen.
Het venster **Docking Station Setup (Dockingstationinstellingen)** wordt weergegeven, waarin staat aangegeven dat de computer moet worden losgekoppeld om door te gaan.
- 7 Klik op **OK** en wacht tot de computer is uitgeschakeld.
- 8 Koppel de computer los (zie "De computer loskoppelen").
De computer start automatisch opnieuw op. Mocht dit niet het geval zijn, zet de computer dan handmatig aan.

- 9** Klik op **Start** en selecteer **Shut Down (Afsluiten)**.
- 10** Wacht tot de computer volledig is uitgeschakeld en sluit deze vervolgens opnieuw aan op het dockingstation.
De computer start automatisch opnieuw op. Mocht dit niet het geval zijn, zet de computer dan handmatig aan.
- 11** Druk op <Ctrl><Alt> om in te loggen.
Er wordt automatisch naar nieuwe apparatuur gezocht.
- 12** Wanneer hierom wordt gevraagd, selecteert u **Install System Provided Driver for the Selected Device (Recommended) (Het door het systeem voorziene stuurprogramma voor het geselecteerde apparaat installeren (aanbevolen))** en klikt u vervolgens op **OK**.
- 13** Klik op **Continue (Doorgaan)** in het venster **Windows NT Setup (Windows NT-instellingen)**.
- 14** Selecteer **Install System Provided Driver for the Selected Device (Recommended) (Het door het systeem voorziene stuurprogramma voor het geselecteerde apparaat installeren (aanbevolen))** en klik vervolgens op **OK**.
- 15** Selecteer de naam van uw netwerkkinterfacecontroller (NIC) in het vervolgkeuzemenu.
- 16** Geef aan of de netwerkadapter een IP-adres van een server moet krijgen, of dat een vast IP-adres wordt opgegeven.
Als u niet weet wat u hier moet invoeren, neemt u contact op met de systeembeheerder.
- 17** Volg de instructies om de installatie te voltooien.

Het Windows-bureaublad wordt weergegeven en de installatie is voltooid.


Als de computer is aangesloten, kan deze niet in de standby-naar-schijfmodus worden gebruikt.


Een computer met Windows NT 98 voor de eerste keer aansluiten op het dockingstation

- 1 Sluit uw computer aan op het dockingstation en start deze op.
- 2 Druk tijdens het opstarten op <F2> of druk na het opstarten op <Fn><F1> om het setup-programma van het systeem weer te geven.
- 3 Stel **Docking IRQ (Docking Interrupt Request)** in op **Optimized (Geoptimaliseerd)**.
- 4 Stel **Universal Connect (Universeel verbinden)** in op **Enabled (Ingeschakeld)**.
- 5 Sluit het setup-programma af.
Er wordt naar nieuwe hardware gezocht.
- 6 Klik op **OK** in het venster **Configuration Setup (Configuratie-instellingen)**.
De **Wizard Add New Hardware (Nieuwe hardware toevoegen)** wordt weergegeven.
- 7 Klik op **Next (Volgende)**.
- 8 Selecteer **Search for the Best Driver for Your Device (Recommended) (Het beste stuurprogramma voor uw apparaat zoeken (aanbevolen))** en klik op **Next (Volgende)**.
- 9 Verwijder de vinkjes bij de verschillende opties en klik op **Next (Volgende)**.
Er wordt een venster weergegeven, waarin staat aangegeven dat Windows gereed is om het beste stuurprogramma voor uw dockingstation te installeren.
- 10 Volg de instructies in de **Wizard Add New Hardware (Nieuwe hardware toevoegen)**.
- 11 Wanneer hierom wordt gevraagd, selecteert u **Search for the Best Driver for Your Device (Recommended) (Het beste stuurprogramma voor uw apparaat zoeken (aanbevolen))** en klikt u op **Next (Volgende)**.
- 12 Volg de instructies om de installatie te voltooien.

Het Windows-bureaublad wordt weergegeven en de installatie is voltooid.

Een computer met Windows NT 95 voor de eerste keer aansluiten op het dockingstation

- 1 Sluit uw computer aan op het dockingstation en start deze op.
 - 2 Druk tijdens het opstarten op <F2> of druk na het opstarten op <Fn><F1> om het setup-programma van het systeem weer te geven.
 - 3 Stel **Docking IRQ (Docking Interrupt Request)** in op **Optimized (Geoptimaliseerd)**.
 - 4 Stel **Universal Connect (Universeel verbinden)** in op **Enabled (Ingeschakeld)**.
 - 5 Sluit het setup-programma af.
Er wordt automatisch naar nieuwe hardware gezocht.
 - 6 Klik op **Yes (Ja)** in het venster **System Settings Change (Systeeminstellingen wijzigen)**.
De computer start opnieuw op en er wordt automatisch naar nieuwe hardware gezocht.
 - 7 Klik op **OK** in het venster **Network (Netwerk)**.
 - 8 Selecteer de tab **Identification (Identificatie)** in het volgende **Network (Netwerk)**-venster.
 - 9 Voer een **Computer Name (Computernaam)** en een **Workgroup (Werkgroep)** in die uw computer op het netwerk identificeren en klik vervolgens op **Close (Sluiten)**.
Als u niet zeker weet welke **Computernaam** en **Werkgroep** u moet invoeren, neemt u contact op met de systeembeheerder.
-  **OPMERKING:** U moet een **Computernaam** en een **Werkgroep** invoeren om door te kunnen gaan met de installatie van de stuurprogramma's.
- De bestanden worden automatisch gekopieerd en er wordt een stuurprogrammagegevensbank gegenereerd.
- 10 Klik op **OK** in het venster **Configuration Setup (Configuratie-instellingen)**.
 - 11 Volg de instructies om de installatie te voltooien.
Het Windows-bureaublad wordt weergegeven en de installatie is voltooid.

 **OPMERKING:** Als u de USB-connectoren wilt gebruiken, moet u het USB-supplement van uw *ResourceCD (Bron-CD)* in de directory **Win95\OSUpdate** installeren. Als u het USB-supplement installeert, kan uw computer niet in de standby-modus worden gebruikt. Dell adviseert dat u het USB-supplement alleen installeert als u van plan bent USB-stations te gebruiken.

Stuurprogramma's bijwerken onder Windows XP en Windows 2000

Als u stuurprogramma's wilt bijwerken onder Windows XP en Windows 2000, gaat u als volgt te werk:

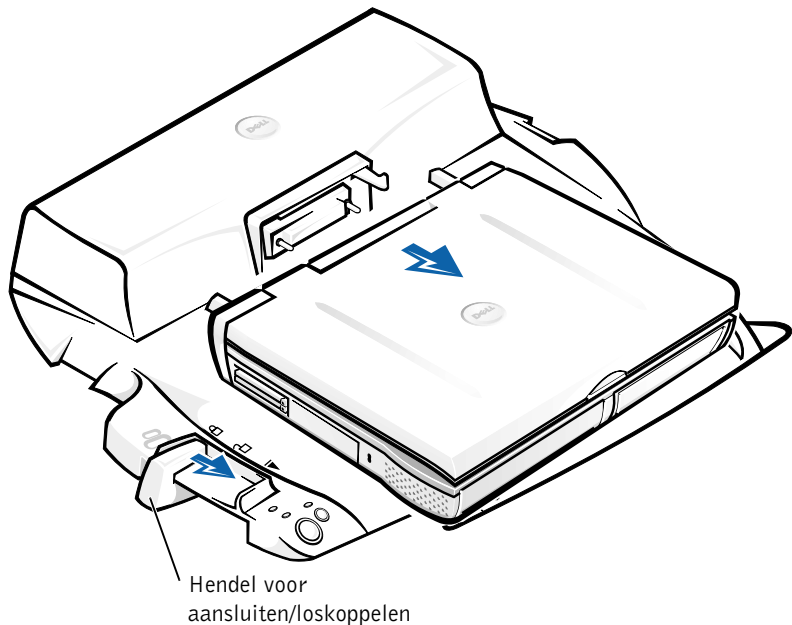
- 1 Klik met de rechtermuisknop op **My Computer (Deze computer)** en klik vervolgens op **Manage (Beheren)**. (Klik onder *Windows XP* op de knop **Start** om **My Computer (Deze computer)** te selecteren. Onder *Windows 2000* is **My Computer (Deze computer)** beschikbaar op het Windows-bureaublad.)
- 2 Klik in het venster **Computer Management (Computerbeheer)** op **Device Manager (Apparaatbeheer)** en dubbelklik vervolgens op **Network adapters (Netwerkadapters)**.
- 3 Dubbelklik op **3Com 3C920 Integrated Fast Ethernet Controller**.
- 4 Klik op de tab **Driver (Stuurprogramma)**.
- 5 Klik op **Update Driver (Bijwerken)** en volg de instructies.

Stuurprogramma's bijwerken onder Windows Me

Als u stuurprogramma's wilt bijwerken onder Windows Me, gaat u als volgt te werk:

- 1 Klik met de rechtermuisknop op **My Computer (Deze computer)** op het bureaublad en klik vervolgens op **Properties (Eigenschappen)**.
- 2 Klik in het venster **System Properties (Systeemeigenschappen)** op de tab **Device Manager (Apparaatbeheer)** en dubbelklik vervolgens op **Network adapters (Netwerkadapters)**.
- 3 Dubbelklik op **3Com 3C920 Integrated Fast Ethernet Controller**.
- 4 Klik op de tab **Driver (Stuurprogramma)**.
- 5 Klik op **Update Driver (Bijwerken)** en volg de instructies.

De computer loskoppelen



- ➔ **KENNISGEVING:** Wanneer de computer geen stroom van een accu krijgt, wordt de computer uitgeschakeld wanneer u deze loskoppelt. Gegevens die niet zijn opgeslagen, gaan in dat geval verloren.
- ➔ **KENNISGEVING:** Koppel de computer nooit los zonder de computer eerst voor te bereiden. Wanneer u de computer loskoppelt voordat u deze maatregelen treft, gaan uw gegevens verloren en kan het een aantal minuten duren voordat de computer weer normaal functioneert. Mogelijk reageert de computer zelfs helemaal niet meer.

Gebruik een van de volgende methoden om de computer voor te bereiden op het loskoppelen:

- Druk op <Fn><Esc> op het toetsenbord van de computer (of op <Scroll Lock><Esc> op een extern toetsenbord).

Wacht enkele seconden totdat het aan/uit-controlelampje van de computer uitgaat.

- *Klik onder Windows XP* op de knop **Start** en klik vervolgens op **Undock Computer (Computer loskoppelen)**.

Klik onder Windows 95, Windows 98, Windows Me of Windows 2000 op de knop **Start** en klik vervolgens op **Eject PC (Pc naar buiten schuiven)**.

Klik onder Windows NT op het aansluitingspictogram op de taakbalk en klik vervolgens op **Undock (Ontkoppelen)** om de computer in de modus Standby te zetten.

Wacht enkele seconden totdat het aan/uit-controlelampje van de computer uitgaat.

- Druk op de loskoppelingsknop op het koppelstuk (zie "Besturingselementen en controlelampjes op het koppelstuk").
Wacht tot het groene aansluitingcontrolelampje uitgaat.

De C/Port II APR vastzetten

Beveiligingsvoorzieningen

Het dockingstation is voorzien van de volgende beveiligingsvoorzieningen:

- Een hendel voor ontgrendelen/vergrendelen waarmee u de computer kunt vergrendelen en ontgrendelen. Als de hendel in de achterste positie staat, is de computer aan de C/Port II APR bevestigd. Als de hendel in de middelste positie staat, kunt u het dockingstation gebruiken zonder deze vast te zetten. Als de hendel in de voorste positie staat, wordt de computer ontgrendeld van het dockingstation. Zet de hendel in de achterste positie als u de hangslotvergrendeling en de veiligheidsslotvergrendeling wilt gebruiken.
- Een veerslot aan de voorkant van het koppelstuk past in een veiligheidsvergrendeling aan de onderkant van de computer. Op die manier wordt de computer vastgezet aan het koppelstuk. Niet alle Dell-computers zijn voorzien van een veiligheidsvergrendeling.
- Een beveiligde uitwerpknop van de mediahouder waardoor het niet mogelijk is mediahouderapparaten te verwijderen.
- Een vaste vergrendeling waardoor het voor onbevoegden niet mogelijk is de computer te verwijderen.

De C/Port II APR vastzetten

U kunt het dockingstation op een van de volgende manieren vastzetten:

- Gebruik een hangslot of een hangslot in combinatie met een veiligheidskabel en de hangslotvergrendeling (zie "Besturingselementen en controlelampjes op het koppelstuk") op het dockingstation.

Als u alleen een hangslot gebruikt, wordt de ontgrendelhendel geblokkeerd en kan de computer moeilijk van het dockingstation worden verwijderd.

Als u een veiligheidskabel om een vast object legt en deze gebruikt in combinatie met het hangslot, kunt u voorkomen dat de computer en de C/Port II APR door onbevoegden worden meegenomen.

- Bevestig een antidiefstalapparaat aan de veiligheidsslotvergrendeling (zie "Besturingselementen en controlelampjes op het koppelstuk") aan het dockingstation.

Antidiefstalapparaten zijn meestal voorzien van een metalen kabel met een slot en bijpassende sleutel. Dell beveelt het gebruik van een Kensington-slot aan. Zie voor instructies voor het installeren van een dergelijk antidiefstalapparaat de documentatie die met het apparaat wordt meegeleverd.

Dell-diagnoseprogramma's

De Dell-diagnoseprogramma's die met uw Dell Latitude-computer zijn meegeleverd, bevatten ook tests die u kunt uitvoeren om de controllers in het dockingstation te controleren.

De subtests in de testgroep **Network Interface (Netwerkinterface)** van de Dell-diagnoseprogramma's verifiëren de basiswerking van de netwerkcontroller in het dockingstation. Hiermee worden de interne functies van de controller getest, inclusief lees- en schrijftoegang tot de registers en interne verzend- en ontvangstmogelijkheden (loopback).

De subtests in de testgroep **Serial/Infrared Ports (Seriële/infraroodpoorten)** controleren de interface van het dockingstation met externe apparaten (zoals een seriële muis of een printer). De subtests in deze testgroep zijn niet bedoeld als een diagnosetest voor het externe apparaat zelf.

De subtests in de testgroep **USB** controleren de interface van het dockingstation met externe apparaten (zoals een muis). De subtests in deze testgroep zijn niet bedoeld als een diagnosetest voor het externe apparaat zelf.

Zie voor volledige instructies voor het gebruik van Dell-diagnoseprogramma's de *Gebruikershandleiding* van uw computer.

Technische specificaties

Technische specificaties

Fysieke kenmerken

Hoogte:

Met monitorvoetstuk 10,2 cm

Stand-alone 5,8 cm

Diepte:

Met monitorvoetstuk 39,0 cm

Stand-alone 35,8 cm

Breedte:

Met monitorvoetstuk 40,9 cm

Stand-alone 37,5 cm

Gewicht:

Met monitorvoetstuk 3,0 kg

Stand-alone 1,6 kg

Technische specificaties

Stroomverbruik

Stroomadapter:

Voltage 100–200 VAC, 50–60 Hz

Stroomsterkte (ampère) 1,5 A

APRII-invoer:

Voltage Vereist 20 VDC van de stroomadapter

Stroomsterkte (ampère) 3,5 A

I/O

Serieel (DTE)	16550-compatibele, 16-bytes bufferconnector
Parallel	Eenrichtings-, tweerichtings- of ECP-connector
PS/2	Twee DIN-miniconnectoren
USB	Twee USB-compatibele connectoren
Infrarood	Met IrDA-normen 1.1 (Fast IR) en 1.0 compatibele infraroodsensor
Audio-uitgang	Audioconnector (voor optionele hoofdtelefoon)
Video	Een connector
Netwerk	Een RJ45-connector
Dockingstation (aan te sluiten op computer)	Een connector

Ethernet-netwerkcontroller

Chipset	3Com [®] 3C920; 10/100 BASE-TX (PC99-compatibel)
Gegevensbusbreedte	32-bits PCI-hostbusinterface
IRQ	IRQ10

Veiligheidsvoorschriften en EMC-instructies: Draagbare computers

Hierna volgt een definitie van de betekenis van de *aanvullende* symbolen die *alleen* worden gebruikt bij de veiligheidsvoorschriften en EMC (Elektromagnetische compatibiliteit)-instructies.



Ontploffingsgevaar



Vliegtuigen



Brandgevaar



Mogelijk is het gebruik van deze functie in vliegtuigen verboden



Risico op elektrische schokken



Veiligheidsinstructies

Algemeen

- Als u de APR voorbereid op gebruik, moet u deze op een effen oppervlak plaatsen.
- Probeer niet zelf onderhoud te plegen aan de APR, tenzij u een bevoegde servicemonteur bent. Volg de installatie-instructies altijd nauwlettend.
- Als u een verlengsnoer gebruikt met uw wisselstroomadapter, zorg er dan voor dat de totale hoeveelheid ampèrebelasting van de producten die in het verlengsnoer worden gestoken, het ampèrebelastingtotaal van het verlengsnoer niet overschrijdt.



- Duw geen voorwerpen in de lucht- of andere openingen van uw computer. Doet u dat wel, dan loopt u het risico brand of een elektrische schok te veroorzaken door kortsluiting in de interne onderdelen.



- Plaats bij het werken met de computer of het opladen van de batterij de stroomadapter op een plaats waar voldoende luchtcirculatie is, bijvoorbeeld op een bureau of op de grond. Dek de stroomadapter niet af met papier of andere items waardoor het afkoelen wordt belemmerd, en gebruik de stroomadapter nooit terwijl deze zich in een draagtas bevindt.



- Gebruik de computer niet op een vochtige plaats, bijvoorbeeld bij een bad, gootsteen of zwembad of in een vochtig souterrain.



- U kunt het risico van een elektrische schok vermijden door tijdens onweer geen kabels aan te sluiten of los te maken, geen onderhoud aan dit product te plegen en/of dit product niet opnieuw te configureren. Gebruik de computer niet tijdens onweer, tenzij alle kabels zijn losgekoppeld en de computer op de batterij werkt.
- Gebruik alleen een stroomadapter en batterijen die voor deze APR zijn bestemd en goedgekeurd, zoals in dit document wordt aangegeven. Als u een andere stroomadapter of batterij gebruikt, bestaat de kans dat er brand ontstaat of dat de batterij ontploft.
- Voordat u het dockingstation schoonmaakt, moet u dit uitschakelen en de stroomadapter uit het stopcontact halen. Maak het dockingstation schoon met een zachte doek die met water vochtig is gemaakt. Gebruik geen vloeibare of spuitbare schoonmaakmiddelen; deze kunnen brandbare substanties bevatten.



Stroom (Veiligheidsinstructies)



- Gebruik alleen de door Dell geleverde stroomadapter die voor deze APR is bestemd en goedgekeurd. Als u een andere stroomadapter gebruikt, loopt u risico op brand of een explosie.
- Voordat u de APR op een elektriciteitsbron aansluit, moet u ervoor zorgen dat het voltage van de stroomadapter overeenkomt met die van de beschikbare elektriciteitsbron.
- U schakelt de stroom naar de computer volledig uit door de computer uit te zetten en de stroomadapterkabel uit het stopcontact te halen.



- U kunt een elektrische schok voorkomen door de stroomadapter en de stroomkabels van eventuele randapparatuur aan te sluiten op een geaard stopcontact. Deze kabels kunnen zijn voorzien van een driepolige randaardestekker. Gebruik geen adapterstekkers en verwijder nooit de aardingspool uit de stekker. Als u een verlengsnoer gebruikt, moet u het juiste type gebruiken (met twee of drie pinnen) dat past op de stroomkabel van de adapter.
- Zorg dat er niets op de stroomkabel van de adapter ligt en dat niemand op deze kabel kan stappen of erover kan struikelen.



- Als u een stekkerdoos gebruikt, moet u voorzichtig zijn als u de stroomkabel van de adapter in de stekkerdoos steekt. In sommige stekkerdozen is het mogelijk de stekker er op de verkeerde manier in te steken. Als u de stekker op de verkeerde manier insteekt, kan dit blijvende schade veroorzaken aan uw computer en kan er gevaar voor elektrische schokken of brand ontstaan. Zorg ervoor dat de aardingspool van de stekker in het bijpassende contactpunt op de stekkerdoos wordt aangesloten.

Internationale kennisgevingen

Elektromagnetische storingen (EMI) zijn in de vrije ruimte uitgestraalde of langs elektriciteits- of signaalkabels geleide emissiesignalen die de goede werking van radionavigatiediensten of andere veiligheidsdiensten in gevaar brengen of de kwaliteit van een gemachtigde radiocommunicatiedienst ernstig aantasten of deze dienst hinderen of herhaaldelijk onderbreken. Radiocommunicatiediensten omvatten onder andere commerciële AM/FM radio-uitzendingen, televisie-uitzendingen, mobiele diensten, radar, luchtverkeer, semafoons en persoonlijke communicatiediensten (PCS). Deze gemachtigde diensten, samen met apparaten die onopzettelijk straling veroorzaken zoals digitale apparaten, waaronder computersystemen, dragen bij aan de elektromagnetische omgeving.

Elektromagnetische compatibiliteit (EMC) is het vermogen van elektronische apparatuur om zonder problemen in een elektronische omgeving te kunnen functioneren. Hoewel deze computer conform de door de overheid voorgeschreven EMI-bepalingen is ontworpen en goedgekeurd, is er geen garantie dat er geen storingen zullen optreden in een bepaalde installatie. Als deze apparatuur radiocommunicatiediensten stoort, hetgeen u kunt vaststellen door de apparatuur uit en weer aan te zetten, kunt u als volgt proberen de storing op te heffen:

- Richt de ontvangstantenne een andere kant op.
- Verplaats de computer ten opzichte van de ontvanger.
- Zet de computer verder van de ontvanger af.
- Sluit het netsnoer van de computer aan op een ander stopcontact, zodat de computer en de ontvanger niet op dezelfde groep zijn aangesloten.

Indien nodig, raadpleegt u iemand van de technische ondersteuningsstaf van Dell of een ervaren radio/televisie-reparateur voor aanvullende suggesties.

Dell-computersystemen zijn ontworpen, getest en geclassificeerd in overeenstemming met de elektromagnetische omgeving waarvoor ze zijn bestemd. Ten aanzien van de classificaties voor de elektromagnetische omgeving wordt over het algemeen verwezen naar de volgende overeengekomen definities:

- Klasse A is kenmerkend voor een zakelijke of industriële omgeving.
- Klasse B is kenmerkend voor woonwijken.

Apparatuur voor informatietechnologie (ITE), met inbegrip van randapparatuur, uitbreidingskaarten, printers en I/O-apparaten, monitors, enzovoort die in het systeem zijn geïntegreerd of op het systeem zijn aangesloten, moet overeenstemmen met de classificaties van het systeem ten aanzien van de elektromagnetische omgeving.


Kennisgeving ten aanzien van afgeschermd signaalkabels: Gebruik uitsluitend afgeschermd kabels om randapparatuur aan te sluiten op Dell-apparaten om de kans op storing van radiocommunicatiediensten te verminderen. Door het gebruik van afgeschermd kabels bent u er zeker van dat de juiste EMC-classificatie voor de bedoelde omgeving wordt gehandhaafd. Voor parallelle printers is bij Dell een speciale kabel beschikbaar. U kunt de kabel desgewenst bij Dell bestellen via het World Wide Web op <http://accessories.us.dell.com/>.

De meeste Dell-computers zijn geclassificeerd voor Klasse B-omgevingen. De opname van bepaalde opties kan de classificatie van bepaalde configuraties echter wijzigen in Klasse A. Zie de volgende gedeelten voor de regelgevende instanties om de elektromagnetische classificatie van uw systeem of apparaat vast te stellen. Elk gedeelte bevat landspecifieke informatie omtrent EMC/EMI of productbeveiliging.

CE-kennisgeving (Europese Unie)

De CE-markering **CE** geeft aan dat dit Dell-systeem voldoet aan de EMC-richtlijn en de lage-netspanningsrichtlijn van de Europese Unie. Dit betekent dat dit Dell-systeem aan de volgende technische normen voldoet:

- EN 55022: "Grenswaarden en meetmethoden van radiostoringkenmerken van apparatuur voor informatietechnologie."
- EN 55024: "Apparatuur voor informatietechnologie - Immunitetskenmerken – Grenswaarden en meetmethoden."

- EN 61000-3-3: "Elektromagnetische compatibiliteit (EMC) - Deel 3: Beperkingen - Sectie 2: Beperkingen met betrekking tot harmonische stroomafgifte (Apparaatvoersterkte tot en met 16 A per fase)."
 - EN 61000-3-3: "Elektromagnetische compatibiliteit (EMC) - Deel 3: Beperkingen - Sectie 3: Beperking van voltagefluctuaties in aanvoersystemen met laag voltage voor apparatuur met een stroomsterkte tot en met 16 A."
 - EN 60950: "Veiligheid van apparatuur voor informatietechnologie."
-  **OPMERKING:** Voor EN 55022-afgiften zijn twee classificaties beschikbaar:
- Klasse A is bedoeld voor commerciële omgevingen.
 - Klasse B is bedoeld voor woonomgevingen.

Dit Dell-apparaat is een Klasse B-apparaat en dus geschikt voor gebruik in een woonomgeving.

Een "Verklaring van conformiteit" in overeenstemming met de voornoemde richtlijnen en normen is opgesteld en gedeponerd bij Dell Computer Corporation Products Europe BV, Limerick, Ireland.

EN 55022 Compliance (Czech Republic Only)

This device belongs to Class B devices as described in EN 55022, unless it is specifically stated that it is a Class A device on the specification label. The following applies to devices in Class A of EN 55022 (radius of protection up to 30 meters). The user of the device is obliged to take all steps necessary to remove sources of interference to telecommunication or other devices.

Pokud není na typovém štítku počítače uvedeno, že spadá do třídy A podle EN 55022, spadá automaticky do třídy B podle EN 55022. Pro zařízení zařazená do třídy A (ochranné pásmo 30m) podle EN 55022 platí následující. Dojde-li k rušení telekomunikačních nebo jiných zařízení, je uživatel povinen provést taková opatření, aby rušení odstranil.

Polish Center for Testing and Certification Notice

The equipment should draw power from a socket with an attached protection circuit (a three-prong socket). All equipment that works together (computer, monitor, printer, and so on) should have the same power supply source.

The phasing conductor of the room's electrical installation should have a reserve short-circuit protection device in the form of a fuse with a nominal value no larger than 16 amperes (A).

To completely switch off the equipment, the power supply cable must be removed from the power supply socket, which should be located near the equipment and easily accessible.

A protection mark "B" confirms that the equipment is in compliance with the protection usage requirements of standards PN-93/T-42107 and PN-EN 55022: 1996.

Wymagania Polskiego Centrum Badań i Certyfikacji

Urządzenie powinno być zasilane z gniazda z przyłączonym obwodem ochronnym (gniazdo z kołkiem). Współpracujące ze sobą urządzenia (komputer, monitor, drukarka) powinny być zasilane z tego samego źródła.

Instalacja elektryczna pomieszczenia powinna zawierać w przewodzie fazowym rezerwową ochronę przed zwarciami, w postaci bezpiecznika o wartości znamionowej nie większej niż 16A (amperów).

W celu całkowitego wyłączenia urządzenia z sieci zasilania, należy wyjąć wtyczkę kabla zasilającego z gniazdka, które powinno znajdować się w pobliżu urządzenia i być łatwo dostępne.

Znak bezpieczeństwa "B" potwierdza zgodność urządzenia z wymaganiami bezpieczeństwa użytkownika zawartymi w PN-93/T-42107 i PN-EN 55022:1996.

Jeżeli na tabliczce znamionowej umieszczono informację, że urządzenie jest klasy A, to oznacza to, że urządzenie w środowisku mieszkalnym może powodować zakłócenia radioelektryczne. W takich przypadkach można żądać od jego użytkownika zastosowania odpowiednich środków zaradczych.

Pozostałe instrukcje bezpieczeństwa

- Nie należy używać wtyczek adapterowych lub usuwać kołka obwodu ochronnego z wtyczki. Jeżeli konieczne jest użycie przedłużacza to należy użyć przedłużacza 3-żyłowego z prawidłowo połączonym przewodem ochronnym.
- System komputerowy należy zabezpieczyć przed nagłymi, chwilowymi wzrostami lub spadkami napięcia, używając eliminatora przepięć, urządzenia dopasowującego lub bezzakłócenowego źródła zasilania.
- Należy upewnić się, aby nic nie leżało na kablach systemu komputerowego, oraz aby kable nie były umieszczone w miejscu, gdzie można byłoby na nie nadeptywać lub potykać się o nie.
- Nie należy rozlewać napojów ani innych płynów na system komputerowy.
- Nie należy wpychać żadnych przedmiotów do otworów systemu komputerowego, gdyż może to spowodować pożar lub porażenie prądem, poprzez zwarcie elementów wewnętrznych.
- System komputerowy powinien znajdować się z dala od grzejników i źródeł ciepła. Ponadto, nie należy blokować otworów wentylacyjnych. Należy unikać kładzenia luźnych papierów pod komputer oraz umieszczania komputera w ciasnym miejscu bez możliwości cyrkulacji powietrza wokół niego.

Kennisgeving CE-markering

Dit apparaat voldoet aan de eisen van de Europese richtlijn 1999/5/EC.

Dell™ Latitude™ C/Port II APR

Järjestelmätiedot

Huomautukset, varoitukset ja laitteistovaroitukset



HUOMAUTUS: Huomautukset ovat tärkeitä tietoja, joiden avulla voit käyttää tietokonetta paremmin.



LAITTEISTOVAROITUS: Laitteistovaroitukset ovat varoituksia tilanteista, joissa laitteisto voi vahingoittua tai joissa tietoja voidaan menettää. Niissä kerrotaan myös, miten nämä tilanteet voidaan välttää.



VAROITUS: Varoituksissa kerrotaan tilanteista, joissa saattaa esiintyä omaisuusvahinkojen, loukkaantumisen tai kuoleman vaara.

Tämän asiakirjan tiedot voivat muuttua ilman erillistä ilmoitusta.

© 2001 Dell Computer Corporation. Kaikki oikeudet pidätetään.

Tämän tekstin kaikenlainen kopioiminen ilman Dell Computer Corporationin kirjallista lupaa on jyrkästi kielletty.

Tekstissä käytetyt tavaramerkit, *Dell*, *DELL*-logo, *Latitude* ja *DellWare* ovat Dell Computer Corporationin tavaramerkkejä. *3Com* on 3Com Corporationin tavaramerkki. *Microsoft*, *Windows* ja *Windows NT* ovat Microsoft Corporationin rekisteröityjä tavaramerkkejä.

Muut tekstissä mahdollisesti käytetyt tavaramerkit ja tuotenimet viittaavat joko merkkien ja nimien haltijoihin tai näiden tuotteisiin. Dell Computer Corporation kieltää omistusoikeutensa muihin kuin omiin tavaramerkkeihinsä ja tuoteniimiinsä.

Tämä tuote sisältää tekijänoikeuksien suojausteknologiaa, jota suojaavat eräiden Macrovision Corporationin ja muiden oikeudenomistajien omistamien yhdysvaltalaisien patenttien ja muiden immateriaalisten oikeuksien menetelmävaateet. Tämän tekijänoikeuksien suojausteknologian käytön on oltava Macrovision Corporationin valtuuttamaa. Lisäksi se on tarkoitettu vain kotikäyttöön ja muuhun rajoitettuun katseluun, ellei Macrovision Corporation valtuuta muuhun. Ohjelmakoodin purkaminen tai takaisinkääntäminen on kielletty.

Järjestelmätiedot

Tämä asiakirja sisältää Dell Latitude C/Port II APR (Advanced Port Replicator) -laitteen aloitusoppaan, turvallisuusohjeet, tietoja laitetta koskevista määräyksistä, takuutiedot sekä tietoja muista käytettävissä olevista Dellin asiakirjoista.

Muut asiakirjat

- Telakointiaseman mukana toimitettuja asiakirjojen päivityksiä, joissa kerrotaan telakointiaseman tai ohjelmiston muutoksista. Lue nämä päivitysasiakirjat *ennen* muiden asiakirjojen lukemista, koska päivityksissä on yleensä uusimmat tiedot.
- Erikseen ostettujen oheis- tai lisälaitteiden ohjeet. Nämä ohjeet sisältävät tietoja, joita tarvitaan kyseisten laitteiden asentamiseksi telakointiasemaan.

Avun saaminen

Jos telakointiasema ei toimi oikein, laitteen mukana toimitetut apuohjelmat auttavat tilanteen selvittämisessä. Lisätietoja näistä työkaluista on tietokoneen *käyttöoppaan* osassa Avun saaminen.

Yleistä telakointiasemasta

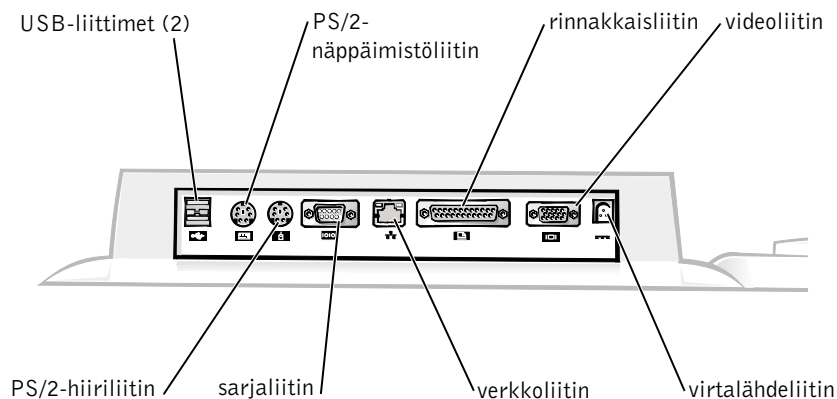


HUOMAUTUS: Ilmoita verkon ylläpitäjälle, ennen kuin kytket laitteen verkkoon.

Verkkovirtalähteen tulee olla kytkettynä telakointiasemaan ennen tietokoneen telakointia ja käynnistämistä. Verkkovirtalähde toimii sekä telakointiaseman että tietokoneen virtalähteenä. Tietokoneessa mahdollisesti oleva akku latautuu, kun tietokone on telakoituna.




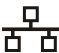



- ➔ **LAITTEISTOVAROITUS:** Käytä aina telakointiaseman mukana toimitettua Dell PA-6 -virtalähdettä. Jos käytät jonkin toisen valmistajan virtalähdettä tai vanhempien Dell-tietokoneiden mukana toimitettuja virtalähteitä, telakointiasema tai tietokone voi vahingoittua.

Telakointiaseman tulo- ja lähtöpaneeli

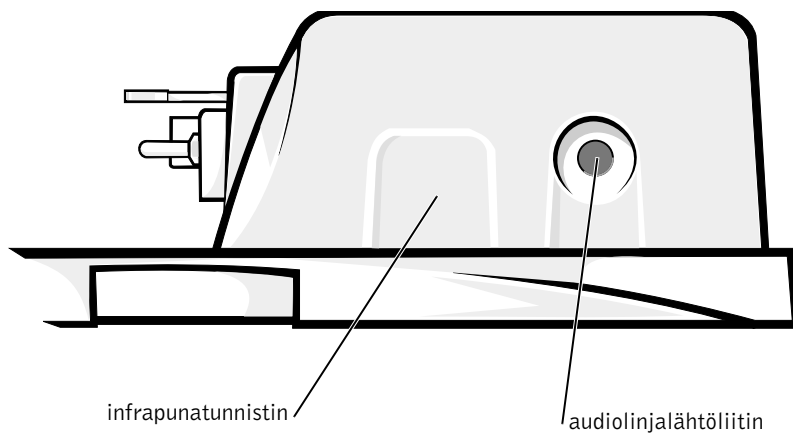


Ulkoiset tulo- ja lähtöliittimet -taulukossa on esitetty APR-laitteen takapaneelissa olevien liittinten symbolit sekä ne laitetyytit, joita kuhunkin liittimeen voidaan kytkeä.

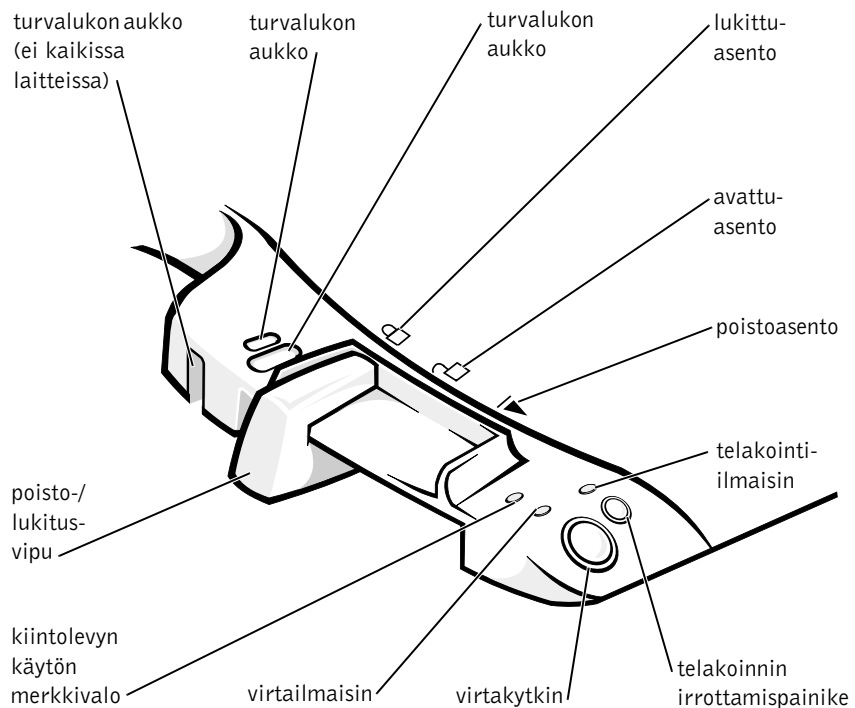
Ulkoiset tulo- ja lähtöliittimet

Liittimen symboli	Liittimen kuvaus
	USB-liittimiin kytketään yksi tai kaksi USB-laitetta, esimerkiksi USB-hiiri.
	PS/2-näppäimistöliittimeen kytketään ulkoinen PS/2-yhteensopiva näppäimistö tai ulkoinen numeronäppäimistö.
	PS/2-hiiriliittimeen kytketään ulkoinen PS/2-yhteensopiva hiiri.
IOIOI	Sarjaliittimeen kytketään sarjaporttiin liitettävä laite, esimerkiksi sarjahiiri tai ulkoinen modeemi.
	NIC-liittimeen kytketään verkkoliitäntäkaapeli.
	Rinnakkaisliittimeen kytketään rinnakkaisporttiin liitettävä laite, esimerkiksi kirjoitin.
	Videoliittimeen kytketään ulkoinen näyttö.
	Virtalähdeliittimeen kytketään APR-laitteen mukana toimitettu virtalähde.

Ääniliittimet ja infrapunatunnistin



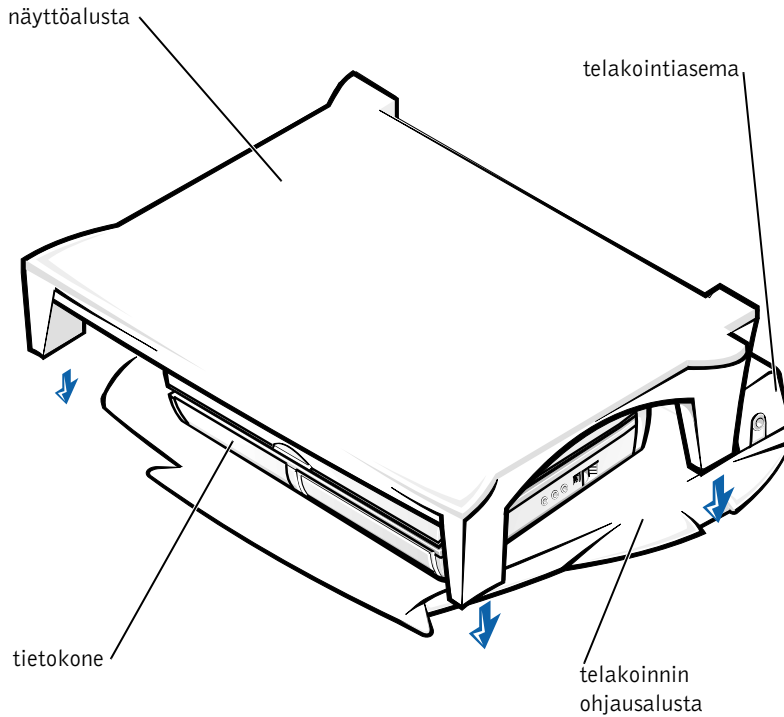
Telakoinnin ohjausalustan säätimet ja ilmaisimet



Näyttöalusta

- ➔ **LAITTEISTOVAROITUS:** Alustaa voidaan käyttää näytöille, joiden paino on enintään 45,3 kilogrammaa (kg). Tätä painavimmat näytöt voivat vahingoittaa alustaa, tietokonetta ja telakointiasemaa.

Telakointiasema ja näyttöalusta



- 🔪 **HUOMAUTUS:** Varmista, että näyttöalustan takimmäiset jalat menevät telakoinnin ohjausalustan molemmilla sivuilla oleviin aukkoihin.

Ennen tietokoneen telakointia

Jos tietokoneessasi on Microsoft® Windows® 9x-, Windows NT®- tai Windows Millennium (Me) -käyttöjärjestelmä, tarkista, onko tietokoneessa valmiiksi asennettuna telakointiohjaimia. Jos telakointiohjaimia ei ole asennettu, asenna ne ennen tietokoneen ensimmäistä telakointia. Asenna ohjaimet suorittamalla Telakointiohjaimien asentaminen -kohdassa kuvatut toimenpiteet.



HUOMAUTUS: Jos tietokoneessasi on Windows XP- tai Windows 2000 -käyttöjärjestelmä, ohjaimet asennetaan automaattisesti eikä Telakointiohjaimien asentaminen -kohdassa kuvattuja toimenpiteitä tarvitse suorittaa. Siirry kohtaan Tietokoneen telakointi.

Tarkista, onko tietokoneeseesi asennettu telakointiohjaimia

- 1 Kaksoisnapsauta **Oma tietokone** -kuvaketta.
- 2 Kaksoisnapsauta **Ohjauspaneeli**-kohtaa.
- 3 Kaksoisnapsauta **Lisää/poista sovelluksia**.
- 4 Etsi telakointiohjaimet sovellusluettelosta.

Windows 9x- ja Windows Me -käyttöjärjestelmissä ohjaimen nimessä on teksti **Quick Install**. Esimerkiksi Dell Dock Quick Install for Windows.

Windows NT -järjestelmässä ohjaimen nimi on **NT Softex Docking Services**.

Jos telakointiohjaimia ei ole asennettu tietokoneeseen, jatka kohdasta Telakointiohjaimien asentaminen. Jos ohjaimet on asennettu, siirry kohtaan Tietokoneen telakointi.

Telakointiohjaimien asentaminen

Käytettävissäsi ovat seuraavat vaihtoehdot:

- ohjaimien asentaminen tietokoneen tai telakointiaseman mukana toimitetulta *resurssilevyllä* tai *Ohjaimet ja apuohjelmat* -levyiltä
- ohjaimien lataaminen Dellin tukisivustosta

Ohjaimien asentaminen *resurssilevyllä* tai *Ohjaimet ja apuohjelmat* -levyllä

- 1 Aseta *resurssilevy* tai *Ohjaimet ja apuohjelmat* -levy CD-asemaan.

Tavallisesti CD-levy käynnistyy automaattisesti. Jos CD-levy ei käynnisty, käynnistä Windows -järjestelmän Resurssienhallinta, avaa CD-aseman hakemisto ja kaksoisnapsauta **autorcd**-ohjelmätiedostoa. Jos näyttöön tulee Tervetuloa-ikkuna, valitse **Seuraava** (Next). Kun CD-levy käynnistetään ensimmäisen kerran, ohjelma voi pyytää sinua asentamaan joitakin asennustiedostoja, Valitse **OK** ja noudata näyttöön tulevia ohjeita.

- 2 Valitse työkalurivin **Kieli** -valikosta haluamasi ohjaimen kieliversio (jos se on käytettävissä).

Näyttöön tulee Tervetuloa-ikkuna.

- 3 Valitse **Seuraava**.

- 4 Valitse **Hakuehdot**-kohdasta haluamasi vaihtoehdot **Järjestelmän malli-** ja **Käyttöjärjestelmä**-valikoista.

Jos tietokoneessasi on Windows 9x- tai Windows Me -käyttöjärjestelmä, valitse **Laitetyyppi**-valikosta System Utilities ja valitse sitten **Aihe**-valikosta **Laiteohjaimet** (Drivers).

Jos tietokoneessasi on Windows NT -käyttöjärjestelmä, valitse **Laitetyyppi**-valikosta System Utilities ja valitse sitten **Aihe**-valikosta **Apuohjelmat** (Utilities).

Näyttöön tulee linkki tai linkkejä tietokoneellesi tarkoitettuihin laiteohjaimiin tai apuohjelmiin.

- 5 *Jos tietokoneessasi on Windows 9x- tai Windows Me -käyttöjärjestelmä,* valitse **Dell Dock QuickInstall** -sovelluksen linkki.

Dell Dock QuickInstall -tiedosto on sovellus, joka asentaa tietokoneeseesi tarvittavat telakointiohjaimet.

Jos tietokoneessasi on Windows NT -järjestelmä, valitse **Softex Docking Services** -sovelluksen linkki.

- 6 Käynnistä automaattinen asennus napsauttamalla **Asenna**-painiketta. Suorita asennus Tervetuloa-näytön jälkeen näyttöön tulevien ohjeiden mukaisesti.



HUOMAUTUS: Joillakin resurssilevyillä käyttäjän on etsittävä oikea ohjain selaamalla hakemistoja. Tarkemmat ohjeet laiteohjaimien asentamisesta löytyvät *käyttöoppaasta*.

Ohjaimien asentaminen Dellin tukisivustosta

- 1 Avaa Dellin tukisivusto osoitteessa <http://support.dell.com>. Jos käytät sivustoa ensimmäistä kertaa, valitse maa napsauttamalla näyttöön tulevaa karttaa.

Näyttöön tulee sivu **Welcome to support.dell.com**.

- 2 Kirjoita telakointiaseman tiedot ja napsauta sitten **Go!**-kuvaketta. Napsauta **Downloads For Your Dell (Lataukset)** -kohtaa.

Näyttöön tulee **Downloads For Your Dell** -ikkuna, jossa on pieni lomake, joka sinun on täytettävä.

- 3 Kirjoita järjestelmäsi huoltomerkin numero tai valitse Dell-järjestelmäsi.
- 4 Valitse käyttöjärjestelmä ja järjestelmän kieli.
- 5 Valitse latausluokaksi **System and Configuration Utilities**.
- 6 Napsauta **Go!**-painiketta.
- 7 Jos tietokoneessasi on *Windows 9x- tai Windows Me -käyttöjärjestelmä*, valitse **Dell Dock QuickInstall** -sovelluksen linkki.

Jos tietokoneessasi on *Windows NT -järjestelmä*, etsi **Softex Docking Services** -sovelluksen linkki.

- 8 Lataa ja asenna ohjaimet noudattamalla näyttöön tulevia ohjeita.
- 9 Kun olet ladannut tiedostot, lue ennen asentamista lataamiesi tiedostojen joukossa oleva **readme.txt**-tiedosto, jossa on asennusta koskevia tärkeitä tietoja.

Tietokoneen telakointi

Jos liität telakointiasemaan näytön, näyttökuvana näkyy tässä näytössä. Voit saada näyttökuvan tietokoneen näyttöön tai molempiin näyttöihin samanaikaisesti painamalla <Fn> <F8>.

Kun telakoi tietokoneen telakointiasemaan ja käynnistät tietokoneen, telakoinnin ohjausalueella oleva vihreä virtamerkkivalo syttyy (katso Telakoinnin ohjausalueen säätimet ja ilmaisimet).

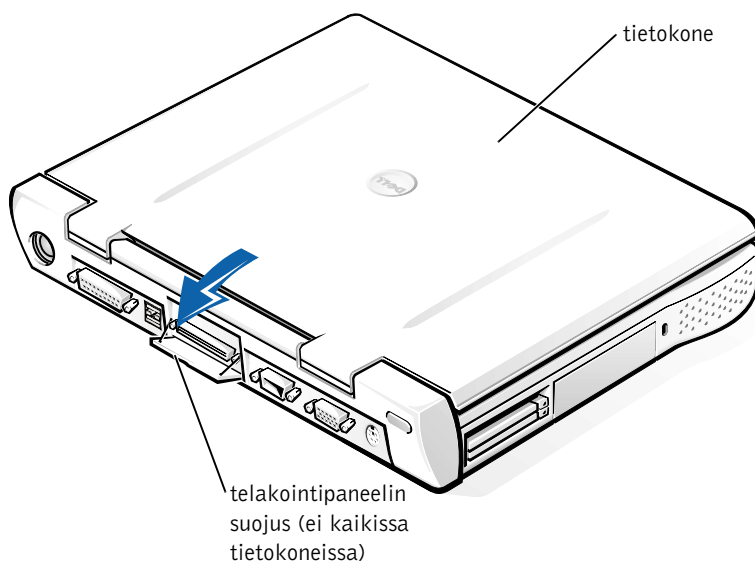
➔ **LAITTEISTOVAROITUS:** Tallenna kaikki avoimet tiedostot ennen tietokoneen telakointia.

1 Tallenna kaikki tiedostot, sulje kaikki sovellukset, kirjautu ulos käyttöjärjestelmästä ja sammuta tietokone.

➔ **LAITTEISTOVAROITUS:** Jotta telakointiliitin ei vahingoittuisi, avaa telakointipaneelin suojus, ennen kuin yrität telakoida tietokonetta.

2 Jos tietokoneessa on telakointipaneelin suojus, avaa se tietokoneen takaa.

Tietokoneen telakointipaneelin suojus

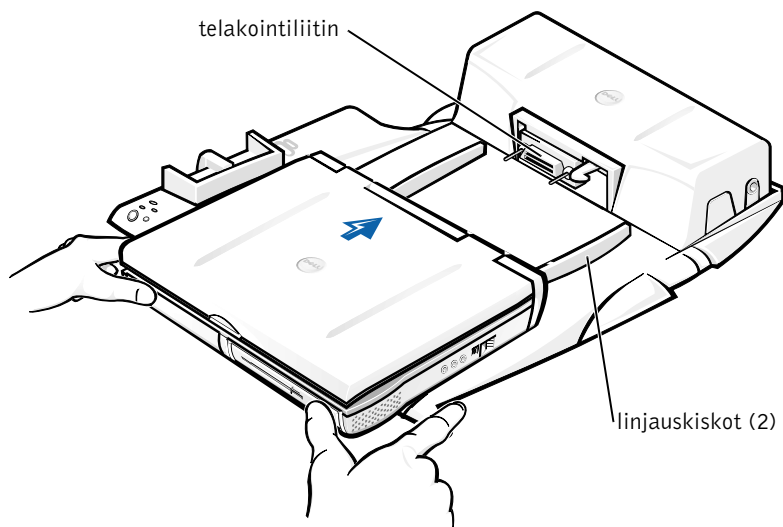


3 Jos käytät telakointiasemaa, jossa on näyttöalusta, sulje tietokoneen näyttö.

4 Varmista, että poisto-/lukitusvipu on avattu-asennossa.

5 Telakoi tietokone telakointiasemaan seuraavasti:

Tietokoneen telakointi



- a Aseta tietokone vaakasuorassa suunnassa APR-laitteen alustan keskelle siten, että tietokoneen takareuna on kohti telakointiaseman telakointiliitintä, kuten kuvassa Tietokoneen telakointi on esitetty.
- b Liu'uta tietokonetta liitintä kohti, kunnes tietokoneen pohjassa olevat urat osuvat linjauskiskoihin.

- ➔ **LAITTEISTOVAROITUS:** Jos yrität työntää tietokoneen perille saakka, kun linjauskiskot eivät ole kohdallaan, tietokoneen telakointiliitin saattaa vahingoittua käyttökelvottomaksi.
 - ➔ **LAITTEISTOVAROITUS:** Älä nosta tietokonetta tai telakointiasemaa erikseen, kun tietokone on telakoituna, koska tietokoneen tai telakointiaseman liittimet voivat vahingoittua.
 - ➔ **LAITTEISTOVAROITUS:** Jos käytät näyttöalustalla olevaa näyttöä, poista näyttö alustalta, ennen kuin asetat telakoinnin ohjausalustan paikalleen.
- c Työnnä tietokonetta varovasti eteenpäin, kunnes telakointiliitin kytkeytyy täydellisesti.

Telakointi ensimmäistä kertaa Windows XP- tai Windows 2000 -käyttöjärjestelmässä

- 1 Telakoi tietokone ja käynnistä se.
- 2 Avaa asetusohjelma painamalla käynnistysvaiheen aikana <F2>-näppäintä.
- 3 Aseta **Docking IRQ** -arvoksi **Optimized**.
- 4 Aseta **Universal Connect** -arvoksi **Enabled**.
- 5 Sulje asetusohjelma.

Järjestelmän käynnistysprosessi jatkuu.

Windows 2000 -järjestelmässä näyttöön tulee **Ohjattu uuden laitteen lisääminen** -toiminto.



HUOMAUTUS: *Jos tietokoneessasi on Windows XP -käyttöjärjestelmä, järjestelmä asentaa ohjaimet automaattisesti. Jos tietokoneessasi on Windows 2000 -käyttöjärjestelmä, Ohjattu uuden laitteen lisääminen -toiminto asentaa ohjaimet automaattisesti.*

Telakointi ensimmäistä kertaa Windows Me -käyttöjärjestelmässä

- 1 Telakoi tietokone ja käynnistä se.
- 2 Avaa asetusohjelma painamalla käynnistysvaiheen aikana <F2>-näppäintä.
- 3 Aseta **Docking IRQ** -arvoksi **Optimized**.
- 4 Aseta **Universal Connect** -arvoksi **Enabled**.
- 5 Sulje asetusohjelma.

Järjestelmän käynnistysprosessi jatkuu.

Näyttöön tulee **Ohjattu uuden laitteen lisääminen** -ikkuna.

- 6 Valitse **Etsi paras ohjain laitteelle (Suositellaan)** ja valitse sitten **Seuraava**.
- 7 Valitse **Seuraava**.
- 8 Noudata **Ohjattu uuden laitteen lisääminen** -toiminnon kehoitteita.

- 9 Valitse aina pyydettyä vaihtoehto **Etsi paras ohjain laitteelle (Suositellaan)** ja napsauta sitten **Seuraava**-painiketta.
- 10 Suorita asennus loppuun kehotteiden mukaisesti.
Näyttöön tulee Windowsin työpöytä, ja asennus on valmis.

Telakointi ensimmäistä kertaa Windows 4.0 -käyttöjärjestelmässä

- 1 Telakoi tietokone ja käynnistä se.
- 2 Käynnistä asetusohjelma joko painamalla <F2>-näppäintä järjestelmän käynnistysvaiheen aikana tai painamalla <Fn><F1> sen jälkeen, kun tietokone on käynnistynyt.
- 3 Aseta **Docking IRQ** -arvoksi **Optimized**.
- 4 Aseta **Universal Connect** -arvoksi **Enabled**.
- 5 Sulje asetusohjelma.
- 6 Kirjaudu järjestelmään painamalla <Ctrl><Alt>.
Näyttöön tulee **Docking Station Setup** -ikkuna, jossa ilmoitetaan, että tietokoneen telakointi on irrotettava ennen jatkamista.
- 7 Valitse **OK** ja odota, että tietokoneen virta sammuu.
- 8 Irrota tietokone telakointiasemasta (katso Tietokoneen irrottaminen telakointiasemasta).
Tietokone käynnistyy automaattisesti uudelleen. Jos tietokone ei käynnisty uudelleen, käynnistä se.
- 9 Valitse **Käynnistä**-valikosta **Sammuta**.
- 10 Odota, kunnes tietokone on sammunut kokonaan, ja telakoi se uudelleen telakointiasemaan.
Tietokone käynnistyy automaattisesti uudelleen. Jos tietokone ei käynnisty uudelleen, käynnistä se.
- 11 Kirjaudu järjestelmään painamalla <Ctrl><Alt>.
Tietokone tunnistaa uudet laitteet automaattisesti.
- 12 Valitse pyydettyä vaihtoehto **Install System Provided Driver for the Selected Device (Recommended)** ja napsauta sitten **OK**-painiketta.

- 13 Napsauta **Windows NT:n** asennus -ikkunassa **Jatka**-painiketta.
- 14 Valitse vaihtoehto **Install System Provided Driver for the Selected Device (Recommended)** ja napsauta sitten **OK**-painiketta.
- 15 Valitse luetteluudusta verkkokortin nimi.
- 16 Valitse, saako verkkosovitin IP-osoitteen palvelimelta vai määritätkö IP-osoitteen itse.
Jos et tiedä, kumman valitset, ota yhteys järjestelmänvalvojaan.
- 17 Suorita asennus loppuun kehoitteiden mukaisesti.

Näyttöön tulee Windowsin työpöytä, ja asennus on valmis.

Tietokone ei voi siirtyä Keskeytä levyille -tilaan, kun se on telakoituna.

Telakointi ensimmäistä kertaa Windows 98 -käyttäjärjestelmässä

- 1 Telakoi tietokone ja käynnistä se.
- 2 Käynnistä asetusohjelma joko painamalla <F2>-näppäintä järjestelmän käynnistysvaiheen aikana tai painamalla <Fn><F1> sen jälkeen, kun tietokone on käynnistynyt.
- 3 Aseta **Docking IRQ** -arvoksi **Optimized**.
- 4 Aseta **Universal Connect** -arvoksi **Enabled**.
- 5 Sulje asetusohjelma.
Tietokone tunnistaa uudet laitteet automaattisesti.
- 6 Valitse **Kokoonpanon asennus** -ikkunasta **OK**.
Näyttöön tulee **Ohjattu uuden laitteen lisääminen** -ikkuna.
- 7 Valitse **Seuraava**.
- 8 Valitse **Etsi paras ohjain laitteelle (Suositellaan)** ja valitse sitten **Seuraava**.
- 9 Poista valinta kaikista vaihtoehdoista ja valitse **Seuraava**.
Näyttöön tulee ikkuna, jossa ilmoitetaan, että Windows on valmis asentamaan parhaan ohjaimen laitteelle.
- 10 Noudata **Ohjattu uuden laitteen lisääminen** -toiminnon kehoitteita.

11 Valitse aina pyydettyä vaihtoehto **Etsi paras ohjain laitteelle (Suositellaan)** ja napsauta sitten **Seuraava**-painiketta.

12 Suorita asennus loppuun kehotteiden mukaisesti.

Näyttöön tulee Windowsin työpöytä, ja asennus on valmis.

Telakointi ensimmäistä kertaa Windows 95 -käyttöjärjestelmässä

1 Telakoi tietokone ja käynnistä se.

2 Käynnistä asetusohjelma joko painamalla <F2>-näppäintä järjestelmän käynnistysvaiheen aikana tai painamalla <Fn><F1> sen jälkeen, kun tietokone on käynnistynyt.

3 Aseta **Docking IRQ** -arvoksi **Optimized**.

4 Aseta **Universal Connect** -arvoksi **Enabled**.

5 Sulje asetusohjelma.

Tietokone tunnistaa uudet laitteet automaattisesti.

6 Valitse **Järjestelmäasetusten muutos** -ikkunassa **Kyllä**.

Tietokone käynnistyy uudelleen ja tunnistaa uudet laitteet automaattisesti.

7 Valitse **Verkko**-ikkunassa **OK**.

8 Valitse seuraavassa **Verkko**-ikkunassa **Tunnistaminen**-välilehti.

9 Kirjoita **Tietokoneen nimi** ja **Työryhmä**, joita käytetään tietokoneen tunnistamiseen verkossa ja valitse sitten **Sulje**.

Jos et tiedä, mitä **Tietokoneen nimi**- ja **Työryhmä**-kohtiin tulee, kysy neuvoa järjestelmänvalvojalta.



HUOMAUTUS: Tietokoneen nimi ja työryhmä on annettava, ennen kuin asennusta voidaan jatkaa.

Tietokone kopioi tiedostot automaattisesti ja luo ohjaintietokannan.

10 Valitse **Kokoonpanon asennus** -ikkunassa **OK**.

11 Suorita asennus loppuun kehotteiden mukaisesti.

Näyttöön tulee Windowsin työpöytä, ja asennus on valmis.



HUOMAUTUS: Jos haluat käyttää USB-liittimiä, sinun on asennettava USB-täydennysosa *resurssi/levyn Win95\OSUpdate*-hakemistosta. Jos asennat USB-täydennysosan, tietokone ei enää mene keskeytystilaan. Dell ei suosittele USB-täydennysosan asentamista, jos ei ole tarpeen käyttää USB-laitteita.

Ohjainten päivittäminen Windows XP- ja Windows 2000 -käyttöjärjestelmässä

Voit päivittää ohjaimet Windows XP- ja Windows 2000 -järjestelmässä seuraavasti:

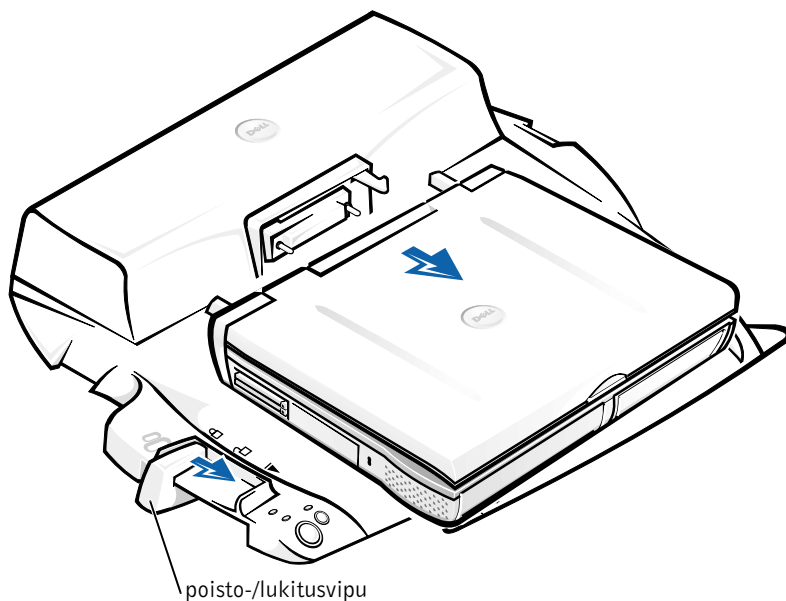
- 1 Napsauta **Oma tietokone** -kuvaketta hiiren oikeanpuoleisella painikkeella ja valitse **Hallitse**. (*Windows XP* -järjestelmässä **Oma tietokone** -kuvake löytyy **Käynnistä**-valikosta. *Windows 2000* -käyttöjärjestelmässä **Oma tietokone** -kuvake on Windowsin työpöydällä.)
- 2 Valitse **Tietokoneen hallinta** -ikkunassa **Laitehallinta** ja kaksoisnapsauta **Verkkosovittimet**-kohtaa.
- 3 Kaksoisnapsauta **3Com 3C920 Integrated Fast Ethernet Controller** -kohtaa.
- 4 Valitse **Ohjain**-välilehti.
- 5 Napsauta **Päivitä ohjain** -painiketta ja noudata näyttöön tulevia ohjeita.

Ohjainten päivittäminen Windows Me -järjestelmässä

Voit päivittää ohjaimet Windows Me -järjestelmässä seuraavasti:

- 1 Napsauta työpöydällä olevaa **Oma tietokone** -kuvaketta hiiren oikeanpuoleisella painikkeella ja valitse **Ominaisuudet**.
- 2 Valitse **Järjestelmän ominaisuudet** -ikkunassa **Laitehallinta** ja kaksoisnapsauta **Verkkosovittimet**-kohtaa.
- 3 Kaksoisnapsauta **3Com 3C920 Integrated Fast Ethernet Controller** -kohtaa.
- 4 Valitse **Ohjain**-välilehti.
- 5 Napsauta **Päivitä ohjain** -painiketta ja noudata näyttöön tulevia ohjeita.

Tietokoneen irrottaminen telakointiasemasta



- ➔ **LAITTEISTOVAROITUS:** Jos tietokone ei saa virtaa akusta, se sammuu, kun se irrotetaan telakointiasemasta, ja kaikki tallentamattomat tiedot menetetään.
- ➔ **LAITTEISTOVAROITUS:** Tietokonetta ei pidä irrottaa telakointiasemasta ennen valmistelujen suorittamista. Jos tietokone irrotetaan ennen valmisteluja, tietoja voi kadota, eikä tietokone ehkä palaa normaaliin toimintatilaan ennen kuin useiden minuuttien kuluttua, jos silloinkaan.

Valmistele tietokone telakointiasemasta irrottamista varten jollakin seuraavista tavoista:

- Paina tietokoneen näppäimiä <Fn><Esc> (tai ulkoisen näppäimistön näppäimiä <Scroll Lock><Esc>).

Odota muutamia sekunteja, kunnes tietokoneen virtamerkkivalo sammuu.

- *Jos käytät Windows XP -järjestelmää*, napsauta **Käynnistä**-painiketta ja valitse sitten **Pura telakointi** (Undock Computer).

Jos käytät Windows 95-, Windows 98-, Windows Me- tai Windows 2000 -käyttöjärjestelmässä, napsauta **Käynnistä**-painiketta ja valitse **Poista tietokone**.

Jos käytät Windows NT -järjestelmää, napsauta tehtäväpalkissa olevaa telakointikuvaketta ja valitse **Telakoinnin purkaminen** (Undock), jolloin tietokone siirtyy keskeytystilaan.

Odota muutamia sekunteja, kunnes tietokoneen virtamerkkivalo sammuu.

- Paina telakoinnin ohjausalustassa olevaa telakoinnin irrottamispainiketta (katso kuva Telakoinnin ohjausalustan säätimet ja ilmaisimet). Odota, kunnes vihreä telakoinnin merkkivalo sammuu.

C/Port II APR -laitteen suojaaminen

Suojausominaisuudet

Telakointiasemassa on seuraavat suojausominaisuudet:

- Poisto-/lukitusvivun avulla voit lukita tai poistaa tietokoneen. Takimmainen asento lukitsee tietokoneen C/Port II APR -laitteeseen. Keskimmaisessä asennossa telakointiasemaa voidaan käyttää lukitsematta tietokonetta. Etummaisessa asennossa tietokone poistetaan telakointiasemasta. Kun painat poisto-/lukitusvivun takimmaiseen asentoon, voit käyttää turvalukkoa ja turvalukon aukkoa.
- Telakoinnin ohjausalustan etuosassa on jousikäyttöinen salpa, joka sopii tietokoneen pohjassa olevaan turva-aukkoon ja lukitsee tietokoneen telakoinnin ohjausalustaan. Kaikissa Dellin tietokoneissa ei ole tätä turva-aukkoa.
- Suojattu laajennuspaikan poistopainike estää laajennuspaikassa olevien laitteiden poistamisen.
- Lukittu salpa, joka estää tietokoneen varastamisen.

C/Port II APR -laitteen suojaaminen

Voit suojata telakointiaseman jollakin seuraavista menetelmistä:

- Käytä turvalukon aukkoon kiinnitettävää turvalukkoa joko yksistään tai yhdessä suojakaapelin kanssa (katso Telakoinnin ohjausalan säätimet ja ilmaisimet).

Pelkkä turvalukko estää poistovivun käyttämisen, jolloin tietokoneen irrottaminen telakointiasemasta on vaikeaa.

Kun turvalukkoon yhdistetään kiinteän esineen ympäri kierrettävä suojakaapeli, tietokoneen ja C/Port II APR -laitteen siirtäminen yhdessä estyy.

- Kiinnitä telakointiaseman turvalukon aukkoon kaupallisesti saatavilla oleva varkaudenestolaite (katso Telakoinnin ohjausalan säätimet ja ilmaisimet).

Varkaudenestolaitteet koostuvat tavallisesti metallivaijerista ja lukosta. Dell suosittelee Kensington-lukon käyttämistä. Ohjeet tällaisen varkaudenestolaitteen asentamisesta on toimitettu laitteen mukana.

Dell-diagnostiikkaohjelma

Dell Latitude -tietokoneen mukana on toimitettu Dell-diagnostiikkaohjelma, jonka avulla voit etsiä vikoja telakointiaseman ohjaimista.

Verkkosovitin-testiryhmään kuuluvilla osatesteillä voit tarkistaa verkkosovittimen perustoiminnot. Näillä testeillä tarkistetaan ohjaimen sisäiset toiminnot, mukaan lukien sen rekisterien luku- ja kirjoitusoikeudet sekä sisäinen lähetys ja vastaanotto (silmukka).

Sarja/infrapunaportit-testiryhmän osatesteillä voit tarkistaa telakointilaitteen liitännän ulkoisiin laitteisiin (esimerkiksi sarjahiireen tai kirjoittimeen). Tämän testiryhmän osatestejä ei ole tarkoitettu testaamaan kyseisen ulkoisen laitteen toimintaa.

USB-testiryhmän osatesteillä voit tarkistaa telakointilaitteen liitännän ulkoisiin laitteisiin (esimerkiksi hiireen). Tämän testiryhmän osatestejä ei ole tarkoitettu testaamaan kyseisen ulkoisen laitteen toimintaa.

Täydelliset ohjeet Dell-diagnostiikkaohjelman käytöstä löytyvät tietokoneen *käyttöoppaasta*.

Tekniset ominaisuudet

Tekniset ominaisuudet

Fyysiset ominaisuudet

Korkeus:

Näyttöalustan kanssa	10,2 cm
Erikseen	5,8 cm

Pituus:

Näyttöalustan kanssa	39,0 cm
Erikseen	35,8 cm

Leveys:

Näyttöalustan kanssa	40,9 cm
Erikseen	37,5 cm

Paino:

Näyttöalustan kanssa	3,0 kg
Erikseen	1,6 kg

Tehonkulutus

Virtalähteen syöttöteho:

Jännite	100–240 VAC, 50–60 Hz
Virta	1,5 A

APRII-syöttö:

Jännite	tarvitsee virtalähteeltä 20 VDC
Virta	3,5 A

Tekniset ominaisuudet

Tulo/lähtöliitännät

Sarjaliitin (DTE)	16550-yhteensopiva, 16 tavun puskurilla varustettu liitin
Rinnakkaisliitin	yksi- tai kaksisuuntainen liitin tai ECP-liitin
PS/2-liittimet	kaksi mini-DIN-liitintä
USB-liittimet	kaksi USB-liitintä
Infrapunaliittimet	IrDA-standardien 1.1 (FastIR) ja 1.0 mukainen infrapunatunnistin
Audiolinjalähtö	audioliitin (valinnaisia kuulokkeita varten)
Videoliitin	yksi liitin
Verkko	yksi RJ45-liitin
Telakointiliitin (tietokoneeseen liittämistä varten)	yksi liitin

Ethernet-verkkosovitin

Piirisarja	3Com® 3C920; 10/100 BASE-TX (PC99-yhteensopiva)
Dataväylän leveys	32-bittinen PCI-isäntäväyläliitäntä
IRQ	IRQ10

Turvallisuusohjeet ja EMC-tiedot: Kannettavat tietokoneet

Seuraavassa määritellään *ainoastaan* turvallisuusohjeissa ja EMC-tiedoissa (Electromagnetic Compatibility) käytettyjen *muiden* symbolien merkitys.



Räjähdysvaara



Lentokone



Palon syttymisvaara



Tämän ominaisuuden käyttö
lentokoneessa saattaa olla kielletty.



Sähköiskun vaara



Turvallisuusohjeet

Yleistä

- Kun käytät laitetta, aseta se tasaiselle alustalle.
- Älä yritä huoltaa laitetta itse, jos et ole valtuutettu huoltohenkilö. Noudata asennusohjeita huolellisesti.
- Jos liität virtalähteen jatkojohtoon, varmista, että jatkojohtoon kytkettyjen laitteiden yhteinen virrankulutus ei ylitä jatkojohdon suurinta sallittua virtaa.
- Älä työnnä esineitä tietokoneen ilma-aukkoihin tai muihin aukkoihin. Vieraan esineen aiheuttama oikosulku laitteen sisällä voi aiheuttaa sähköiskun tai palovaaran.





- Aseta virtalähde avoimeen paikkaan (esimerkiksi pöydälle tai lattialle) silloin, kun se on käytössä tai kun akkua ladataan. Älä peitä virtalähdettä papereilla tai muilla tavaroilla, jotka haittaavat jäähtytystä. Älä kytke kuljetuskotelossa olevaa virtalähdettä sähköverkkoon.



- Älä käytä tietokonetta märässä ympäristössä, esimerkiksi uima-altaan, kylpyammeen tai pesualtaan lähellä tai kosteassa kellarissa.



- Jotta välttyisit sähköiskun vaaralta, älä kytke tai irrota johtoja tai suorita laitteelle huolto- tai asennustoimenpiteitä ukonilman aikana. Älä käytä tietokonetta ukonilman aikana, paitsi jos kaikki kaapelit on irrotettu ja tietokone toimii akun varassa.
- Käytä vain tässä laitteessa käytettäviksi hyväksytyjä virtalähteitä ja akkuja. Muuntyyppisten akkujen tai virtalähteiden käytöstä voi seurata palo- tai räjähdysvaara.
- Ennen telakointiaseman puhdistamista se on sammutettava ja virtalähde on irrotettava sähköverkosta. Puhdista telakointiasema pehmeällä, vedellä kostutetulla liinalla. Älä käytä puhdistusnesteitä tai aerosoleja. Ne saattavat sisältää palavia aineita.



Virta (Turvallisuusohjeet)



- Käytä ainoastaan tässä laitteessa käytettäväksi hyväksyttyä Dellin virtalähdettä. Muuntyyppisten virtalähteiden käytöstä voi seurata palo- tai räjähdysvaara.
- Ennen kuin kytket laitteen pistorasiaan, varmista, että virtalähteen jännite ja taajuus vastaavat käytettävissä olevaa verkkovirtaa.
- Kun lopetat tietokoneen käytön, sammuta se ensin ja irrota sitten virtalähteen liitin pistorasiasta.



- Vältä sähköiskuja kytkemällä virtalähde ja lisälaitteiden virtajohdot maadoitettuihin pistorasioihin. Johdoissa saattaa olla maadoitetut liittimet. Älä poista maadoitusta esimerkiksi sovitusliittimillä. Jos käytät jatkokaapelia, käytä oikeantyyppistä kaapelia, joka sopii virtakaapeliin.
- Varmista, että virtalähteen johdon päällä ei ole esineitä ja että johto on sellaisessa paikassa, jossa siihen ei voi kompastua tai sitä ei voi talloa.



- Jos käytät jakojohtoa, ole varovainen kytkiessäsi virtalähteen virtakaapelin jatkojohtoon. Joissakin johdoissa liitin on mahdollista kytkeä väärin. Jos virtajohdon liitin kytketään väärin, tietokoneelle saattaa aiheutua pysyviä vahinkoja. Lisäksi aiheutuu sähköiskun tai palon syyntymisen vaara. Varmista, että liittimet vastaavat toisiaan ja että ne on kytketty oikein.

Säädöksistä

Sähkömagneettinen häiriö (EMI) tarkoittaa signaalia tai lähetystä, joka siirtyy vapaassa tilassa tai voima- tai signaalilinjojen välityksellä ja vaarantaa radionavigoinnin tai muun turvapalvelun toimintaa tai heikentää, estää tai toistuvasti keskeyttää luvanvaraista radioviestintäpalvelua. Radioviestintäpalveluja ovat muun muassa AM/FM-radiolähetykset, televisiolähetykset, matkapuhelinpalvelut, tutka, lennonjohto, hakulaitteet ja Personal Communication Services (PCS) -palvelut. Sähkömagneettiseen ympäristöön vaikuttavat näiden luvanvaraisten palvelujen lisäksi tahattomat säteilylähteet, esimerkiksi tietokoneet ja muut digitaaliset laitteet.

Sähkömagneettisella yhteensopivuudella (EMC) tarkoitetaan sähkölaitteiden kykyä toimia oikein yhdessä sähkömagneettisessa ympäristössä. Tämä tietokone on suunniteltu siten, että sen aiheuttama sähkömagneettinen häiriö on säädösten sallimissa rajoissa, mutta häiriötä voi silti esiintyä tietyissä käyttökohteissa. Voit tarkistaa, aiheuttaako laite häiriötä radioviestintäpalveluissa, sammuttamalla laitteen ja käynnistämällä sen uudelleen. Voit koettaa poistaa mahdollisia häiriöitä seuraavilla toimenpiteillä:

- Suuntaa vastaanottimen antenni uudelleen.
- Muuta tietokoneen paikkaa vastaanottimen suhteen.
- Siirrä tietokone kauemmaksi vastaanottimesta.
- Kytke tietokone toiseen pistorasiaan, niin että tietokone ja vastaanotin eivät ole samassa virtapiirissä.

Ota tarvittaessa yhteyttä Dellin tekniseen tukeen tai radio- ja televisiotekniikkaan erikoistuneeseen henkilöön.

Dellin tietokoneet on suunniteltu, testattu ja luokitettu tarkoitettujen käyttökohteiden sähkömagneettista ympäristöä varten. Sähkömagneettisella ympäristöluokituksella tarkoitetaan tavallisesti seuraavia harmonisoituja määritelmiä:

- Luokan A laitteet on yleensä tarkoitettu liike- tai teollisuusympäristöihin.
- Luokan B laitteet on yleensä tarkoitettu asuinympäristöihin.

Tietokoneeseen integroitujen tai liitettyjen tietotekniikkalaitteiden, joihin kuuluvat muun muassa oheislaitteet, laajennuskortit, kirjoittimet, tiedonsiirtolaitteet ja näytöt, on vastattava tietokoneen sähkömagneettista ympäristöluokitusta.


Laitteistohuomautus suojatuista signaalikaapeleista: Liitä Dellin laitteisiin oheislaitteita ainoastaan suojatuilla signaalikaapeleilla. Tämä vähentää radioviestintäpalveluille aiheutuvien häiriöiden vaaraa. Kun käytät suojattuja kaapeleita, laitteisto vastaa aiotun käyttöympäristön EMC-luokitusta. Delliltä on saatavissa kaapeli rinnakkaisporttiin kytkettäviä kirjoittimia varten. Voit halutessasi tilata kaapelin Delliltä WWW-osoitteesta <http://accessories.us.dell.com/>.

Useimmat Dell-tietokoneet kuuluvat luokkaan B. Joidenkin lisälaitteiden lisääminen saattaa kuitenkin muuttaa tiettyjen kokoonpanojen luokituksen A-luokaksi. Voit määrittää tietokoneesi tai laitteesi EMC-luokituksen seuraavista kappaleista. Kussakin kappaleessa on tietoja maakohtaisista EMC/EMI- tai tuoteturvallisuussäädöksistä.

CE-tiedote (Euroopan unioni)

Merkki **CE** tarkoittaa, että tämä Dell-tietokone on Euroopan unionin EMC-direktiivin ja pienjännitedirektiivin mukainen. Merkintä tarkoittaa sitä, että tämä Dell-järjestelmä on seuraavien teknisten standardien mukainen:

- EN 55022 — “Limits and Methods of Measurement of Radio Interference Characteristics of Information Technology Equipment.”
- EN 55024 — “Information technology equipment - Immunity characteristics - Limits and methods of measurement.”
- EN 61000-3-2 — “Electromagnetic compatibility (EMC) - Part 3: Limits - Section 2: Limits for harmonic current emissions (Equipment input current up to and including 16 A per phase).”
- EN 61000-3-3 — “Electromagnetic compatibility (EMC) - Part 3: Limits - Section 3: Limitation of voltage fluctuations and flicker in low-voltage supply systems for equipment with rated current up to and including 16 A.”
- EN 60950 — “Safety of Information Technology Equipment.”

 **HUOMAUTUS:** EN 55022 -standardin häiriönpäästövaatimuksissa on kaksi luokkaa:

- Luokka A on tarkoitettu tyypillisille toimistoalueille.
- Luokka B on tarkoitettu tyypillisille asuinalueille.

Tämä Dell-laite on tarkoitettu käytettäväksi tyypillisessä luokan B asuinympäristössä.

Vastaavuusilmoitus edellä lueteltujen direktiivien ja standardien suhteen on arkistoituna osoitteessa Dell Computer Corporation Products Europe BV, Limerick, Ireland.

EN 55022 Compliance (Czech Republic Only)

This device belongs to Class B devices as described in EN 55022, unless it is specifically stated that it is a Class A device on the specification label. The following applies to devices in Class A of EN 55022 (radius of protection up to 30 meters). The user of the device is obliged to take all steps necessary to remove sources of interference to telecommunication or other devices.

Pokud není na typovém štítku počítače uvedeno, že spadá do třídy A podle EN 55022, spadá automaticky do třídy B podle EN 55022. Pro zařízení zařazená do třídy A (ochranné pásmo 30m) podle EN 55022 platí následující. Dojde-li k rušení telekomunikačních nebo jiných zařízení, je uživatel povinen provést taková opatření, aby rušení odstranil.

Polish Center for Testing and Certification Notice

The equipment should draw power from a socket with an attached protection circuit (a three-prong socket). All equipment that works together (computer, monitor, printer, and so on) should have the same power supply source.

The phasing conductor of the room's electrical installation should have a reserve short-circuit protection device in the form of a fuse with a nominal value no larger than 16 amperes (A).

To completely switch off the equipment, the power supply cable must be removed from the power supply socket, which should be located near the equipment and easily accessible.

A protection mark "B" confirms that the equipment is in compliance with the protection usage requirements of standards PN-93/T-42107 and PN-EN 55022: 1996.

Wymagania Polskiego Centrum Badań i Certyfikacji

Urządzenie powinno być zasilane z gniazda z przyłączonym obwodem ochronnym (gniazdo z kołkiem). Współpracujące ze sobą urządzenia (komputer, monitor, drukarka) powinny być zasilane z tego samego źródła.

Instalacja elektryczna pomieszczenia powinna zawierać w przewodzie fazowym rezerwową ochronę przed zwarciami, w postaci bezpiecznika o wartości znamionowej nie większej niż 16A (amperów).

W celu całkowitego wyłączenia urządzenia z sieci zasilania, należy wyjąć wtyczkę kabla zasilającego z gniazdka, które powinno znajdować się w pobliżu urządzenia i być łatwo dostępne.

Znak bezpieczeństwa "B" potwierdza zgodność urządzenia z wymaganiami bezpieczeństwa użytkownika zawartymi w PN-93/T-42107 i PN-EN 55022:1996.

Jeżeli na tabliczce znamionowej umieszczono informację, że urządzenie jest klasy A, to oznacza to, że urządzenie w środowisku mieszkalnym może powodować zakłócenia radioelektryczne. W takich przypadkach można żądać od jego użytkownika zastosowania odpowiednich środków zaradczych.

Pozostałe instrukcje bezpieczeństwa

- Nie należy używać wtyczek adapterowych lub usuwać kołka obwodu ochronnego z wtyczki. Jeżeli konieczne jest użycie przedłużacza to należy użyć przedłużacza 3-żyłowego z prawidłowo połączonym przewodem ochronnym.
- System komputerowy należy zabezpieczyć przed nagłymi, chwilowymi wzrostami lub spadkami napięcia, używając eliminatora przepięć, urządzenia dopasowującego lub bezzakłócenowego źródła zasilania.
- Należy upewnić się, aby nic nie leżało na kablach systemu komputerowego, oraz aby kable nie były umieszczone w miejscu, gdzie można byłoby na nie nadeptywać lub potykać się o nie.
- Nie należy rozlewać napojów ani innych płynów na system komputerowy.
- Nie należy wpychać żadnych przedmiotów do otworów systemu komputerowego, gdyż może to spowodować pożar lub porażenie prądem, poprzez zwarcie elementów wewnętrznych.
- System komputerowy powinien znajdować się z dala od grzejników i źródeł ciepła. Ponadto, nie należy blokować otworów wentylacyjnych. Należy unikać kładzenia luźnych papierów pod komputer oraz umieszczania komputera w ciasnym miejscu bez możliwości cyrkulacji powietrza wokół niego.

CE-merkkítiedote

Tämä laite täyttää Euroopan Unionin direktiivissä 1999/5/EC määritellyt vaatimukset.

Réplicateur de port avancé C/Port II Dell™ Latitude™

Guide d'information sur le système



Remarques, avis et précautions



REMARQUE : Une REMARQUE indique des informations importantes qui vous aident à mieux utiliser votre ordinateur.



AVIS : Un AVIS vous avertit d'un risque de dommage matériel ou de perte de données et vous indique comment éviter le problème.



PRÉCAUTION : Une **PRÉCAUTION** vous avertit d'un risque de dommage matériel ou personnel, pouvant être mortel.

Les informations contenues dans ce document sont sujettes à modification sans préavis.

© 2001 Dell Computer Corporation. Tous droits réservés.

Toute reproduction sans l'autorisation écrite de Dell Computer Corporation est strictement interdite.

Marques utilisées dans ce document : *Dell*, le logo *DELL*, *Latitude* et *DellWare* sont des marques de Dell Computer Corporation ; *3Com* est une marque de 3Com Corporation ; *Microsoft*, *Windows* et *Windows NT* sont des marques déposées de Microsoft Corporation.

D'autres marques et noms commerciaux peuvent être utilisés dans ce document pour faire référence aux entités se réclamant de ces marques et de ces noms ou à leurs produits. Dell Computer Corporation dénie tout intérêt propriétaire aux marques et aux noms commerciaux autres que les siens.

Ce produit intègre une technologie de protection des droits d'auteur qui est protégée par des documents de méthode de certains brevets américains et autres droits de propriété intellectuelle détenus par Macrovision Corporation ainsi par que d'autres détenteurs de droits. L'utilisation de cette technologie de protection des droits d'auteur doit être autorisée par Macrovision Corporation et, sauf autorisation contraire de Macrovision Corporation, est limitée à un usage par les particuliers et à d'autres utilisations pour un public restreint. L'ingénierie inverse et le désassemblage sont interdits.

Octobre 2001

Réf. 4G281

Rév. A01

Guide d'information sur le système

Ce document contient des informations sur la mise en route, les instructions de sécurité, les réglementations et la garantie concernant votre réplicateur de port avancé C/Port II Dell Latitude ainsi que des informations sur les autres documents Dell disponibles et la façon de les obtenir.

Autres documents disponibles

- Les mises à jour de documentation, qui sont parfois fournies avec le périphérique d'amarrage et qui décrivent les modifications apportées au périphérique d'amarrage ou au logiciel. Prenez le temps de lire systématiquement ces mises à jour *avant* de consulter d'autres documentations, car elles contiennent souvent les informations les plus récentes.
- La documentation relative aux options que vous avez acquises séparément. Cette documentation contient des informations nécessaires à la configuration et à l'installation de ces options sur votre périphérique d'amarrage.

Obtention de l'aide

Dell fournit un certain nombre d'outils qui vous aideront si votre périphérique d'amarrage ne fonctionne pas de la manière escomptée. Pour obtenir des informations relatives à ces outils d'aide, reportez-vous à la section intitulée « Obtention de l'aide » dans votre *Guide d'utilisation en ligne*.

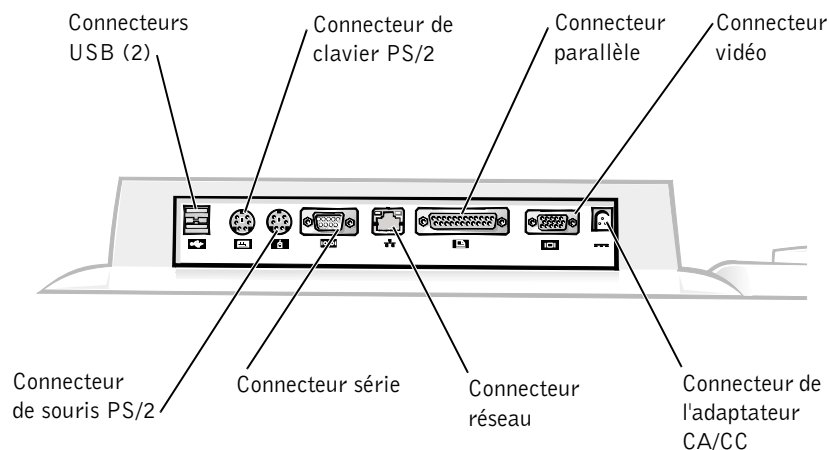
Présentation du périphérique d'amarrage

REMARQUE : Prenez contact avec votre administrateur réseau avant de connecter le périphérique d'amarrage à un réseau.

Vous devez brancher un adaptateur CA/CC sur le périphérique d'amarrage avant d'amarrer l'ordinateur au périphérique d'amarrage et d'allumer l'ordinateur. L'adaptateur CA/CC alimente simultanément le périphérique d'amarrage et l'ordinateur. Toute batterie installée sur l'ordinateur se recharge pendant que vous utilisez le périphérique d'amarrage.








AVIS : Utilisez exclusivement l'adaptateur CA/CC Dell PA-6 livré avec ce périphérique d'amarrage. En cas d'utilisation de tout autre adaptateur CA/CC disponible dans le commerce ou de l'adaptateur CA/CC d'un ancien modèle d'ordinateur Dell, vous pouvez endommager le périphérique d'amarrage ou l'ordinateur.

Panneau d'E/S du périphérique d'amarrage

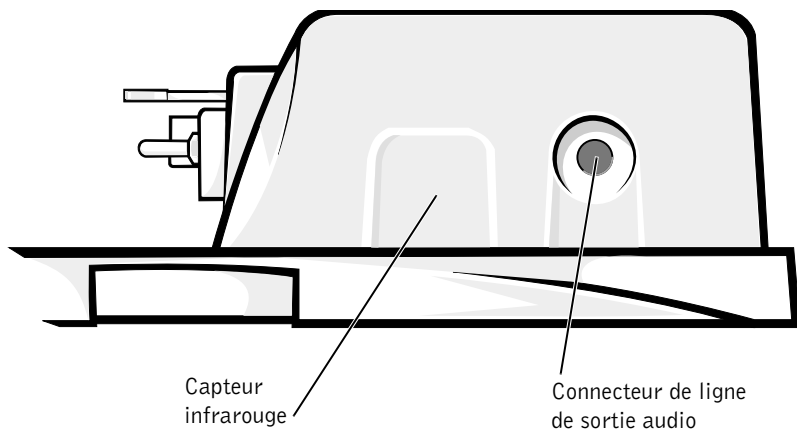


Le tableau « Connecteurs d'E/S externes » présente les icônes de chaque connecteur à l'arrière du réplicateur de port avancé et indique le type de périphérique externe pouvant être branché à chaque connecteur.

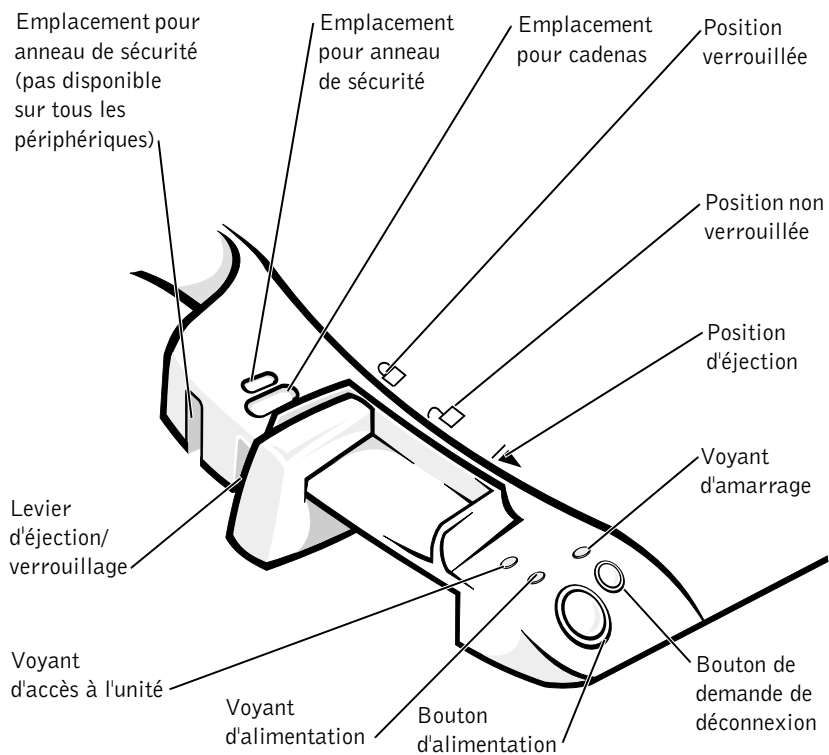
Connecteurs d'E/S externes

Icône du connecteur	Description du connecteur
	Un ou deux périphériques USB, une souris USB par exemple, peuvent être connectés au double connecteur USB.
	Un clavier externe de style PS/2 ou un pavé numérique externe se connecte au connecteur de clavier PS/2.
	Une souris externe de style PS/2 se connecte au connecteur de souris PS/2.
IOIOI	Un périphérique série, tel qu'une souris série ou un modem externe, se connecte au connecteur du port série.
	Un câble d'interface réseau se connecte au connecteur NIC (Network Interface Controller [contrôleur d'interface réseau]).
	Un périphérique parallèle, tel qu'une imprimante, se connecte au connecteur du port parallèle.
	Un moniteur externe se connecte au connecteur vidéo.
	L'adaptateur CA/CC fourni avec l'APR se connecte au connecteur d'adaptateur CA/CC.

Connecteurs audio et capteur infrarouge



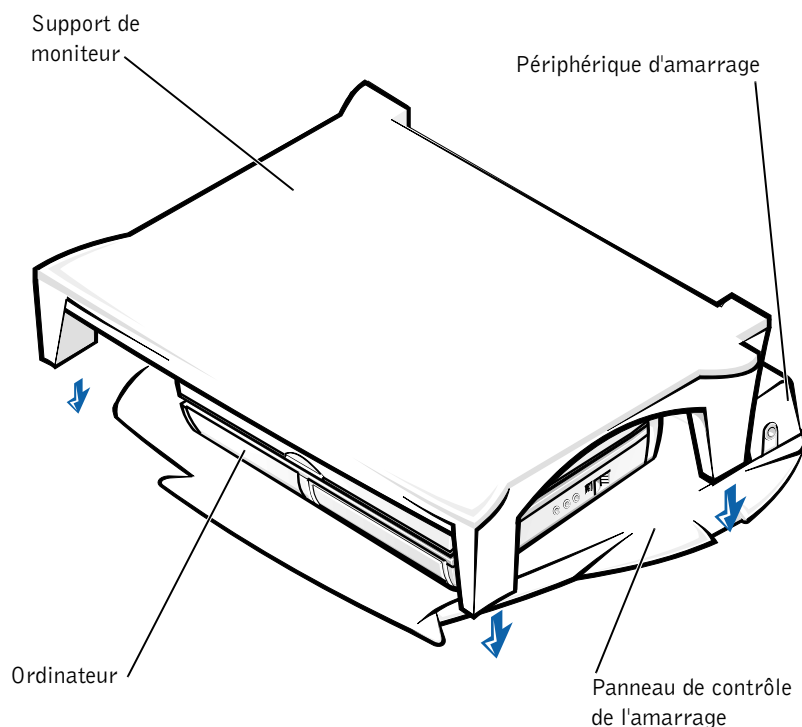
Commandes et voyants du panneau de contrôle de l'amarrage



Support de moniteur

- ➔ **AVIS :** Le support accepte des moniteurs pouvant peser jusqu'à 45,3 kilogrammes (100 livres). Des moniteurs plus lourds peuvent endommager le support, l'ordinateur et le périphérique d'amarrage.

Périphérique d'amarrage avec le support de moniteur



REMARQUE : Assurez-vous que les pieds arrière du support du moniteur s'enclenchent dans les emplacements prévus à cet effet de chaque côté du panneau de contrôle de l'amarrage.

Avant d'amarrer l'ordinateur

Si votre ordinateur fonctionne sous Microsoft® Windows® 9x, Windows NT® ou Windows Millenium (Me), vous devez commencer par rechercher les pilotes d'amarrage existants sur votre ordinateur. Si votre ordinateur ne possède pas de pilotes d'amarrage, procédez à leur installation préalablement au tout premier amarrage de l'ordinateur. Pour installer les pilotes d'amarrage, suivez la procédure indiquée dans la section « Installation des pilotes d'amarrage ».



REMARQUE : Si votre ordinateur fonctionne sous Windows XP ou Windows 2000, les pilotes s'installent automatiquement et vous n'avez par conséquent pas besoin de suivre la procédure indiquée dans la section « Installation des pilotes d'amarrage ». Passez directement à la section « Amarrage de l'ordinateur ».

Recherche de pilotes d'amarrage existants sur l'ordinateur

- 1 Double-cliquez sur **My Computer (Poste de travail)**.
- 2 Double-cliquez sur **Control Panel (Panneau de configuration)**.
- 3 Double-cliquez sur **Add/Remove Programs (Ajout/Suppression de programmes)**.
- 4 Recherchez les pilotes d'amarrage appropriés dans la liste des programmes.

*Si votre ordinateur fonctionne sous Windows 9x ou sous Windows Me, recherchez le pilote portant la mention **Quick Install** dans son nom. Par exemple : Dell Dock Quick Install pour Windows.*

*Si votre ordinateur fonctionne sous Windows NT, recherchez la mention **NT Softex Docking Services**.*

Si votre ordinateur ne possède pas de pilotes d'amarrage, passez à la section suivante « Installation des pilotes d'amarrage ». Si votre ordinateur possède des pilotes d'amarrage, passez à la section intitulée « Amarrage de l'ordinateur ».

Installation des pilotes d'amarrage

Vous pouvez procéder à l'installation des pilotes d'amarrage de l'une des façons suivantes :

- Installez les pilotes à partir du CD *ResourceCD* ou *Pilotes et utilitaires* livré avec l'ordinateur ou le périphérique d'amarrage.
- Téléchargez les pilotes à partir du site Web d'assistance de Dell.

Installation des pilotes d'amarrage à partir du CD *ResourceCD* ou *Pilotes et utilitaires*

- 1** Insérez le CD *ResourceCD* ou *Pilotes et utilitaires* dans le lecteur de CD.

La plupart du temps, le CD s'exécute automatiquement. Si ce n'est pas le cas, démarrez l'Explorateur Windows, cliquez sur le répertoire du lecteur de CD pour afficher le contenu du CD, puis double-cliquez sur le fichier d'application **autorcd**. Si l'écran d'accueil apparaît, cliquez sur **Next (Suivant)**. La première fois que vous exécutez le CD, il peut vous inviter à installer certains fichiers de configuration. Cliquez sur **OK** et suivez les invites à l'écran pour continuer.

- 2** Dans le menu déroulant **Language (Langue)** de la barre d'outils, sélectionnez une langue pour le pilote (si disponible).

Un écran d'accueil apparaît.

- 3** Cliquez sur **Suivant**.

- 4** Sous **Search Criteria (critères de recherche)**, sélectionnez les catégories appropriées dans les menus déroulants **System Model (modèle de système)** et **Operating System (Système d'exploitation)**.

Si votre ordinateur fonctionne sous Windows 9x ou Windows Me, sélectionnez **System Utilities (Utilitaires système)** dans le menu déroulant **Device Type (Type de périphérique)**, puis sélectionnez **Drivers (Pilotes)** dans le menu déroulant **Topic (Sujet)**.

Si votre ordinateur fonctionne sous Windows NT, sélectionnez **Utilitaires système** dans le menu déroulant **Type de périphérique**, puis sélectionnez **Utilities (Utilitaires)** dans le menu déroulant **Sujet**.

Un ou plusieurs liens apparaissent pour les pilotes ou les utilitaires spécifiques utilisés par votre ordinateur.

- 5** *Si votre ordinateur fonctionne sous Windows 9x ou Windows Me,* cliquez sur le lien pour l'utilitaire **Dell Dock Quick Install**.

Le fichier **Dell Dock Quick Install** désigne un utilitaire qui installe les pilotes d'amarrage correspondants sur votre ordinateur.

Si votre ordinateur fonctionne sous Windows NT, cliquez sur le lien pour l'utilitaire **Softex Docking Services**.

- 6 Cliquez sur le bouton **Install (Installer)** pour lancer l'installation automatique. Lorsque l'écran d'accueil apparaît, suivez les invites pour exécuter l'installation.



REMARQUE : Sur certains CD ResourceCD, vous devez parcourir les dossiers afin de trouver le pilote approprié. Pour obtenir des instructions complètes sur la réinstallation de pilotes, reportez-vous au *Guide d'utilisation*.

Installation des pilotes d'amarrage à partir du site Web d'assistance de Dell

- 1 Ouvrez la page de support du site Web de Dell à l'adresse <http://support.dell.com>. Si c'est la première fois que vous visitez ce site Web, sélectionnez votre pays en cliquant sur la carte qui apparaît.

La page **Welcome to support.dell.com (Bienvenue sur support.euro.dell.com)** s'ouvre.

- 2 Entrez les informations propres à votre périphérique d'amarrage, puis cliquez sur **Go! (Aller !)**

Cliquez sur **Downloads For Your Dell (Téléchargements pour système)**.

La fenêtre **Téléchargements pour votre système** s'affiche. Elle comporte un petit formulaire que vous devez remplir.

- 3 Entrez le code de maintenance de votre système ou sélectionnez votre système Dell.
- 4 Sélectionnez votre système d'exploitation et sa version linguistique.
- 5 Sélectionnez **System and Configuration Utilities (utilitaires système et utilitaires de configuration)** comme catégorie de téléchargement.
- 6 Cliquez sur **Aller !**
- 7 *Si votre ordinateur fonctionne sous Windows 9x ou Windows Me,* recherchez le lien pour l'utilitaire **Dell Dock QuickInstall** et cliquez dessus.

Si votre ordinateur fonctionne sous Windows NT, recherchez le lien pour l'utilitaire **Softex Docking Services** et cliquez dessus.

- 8 Suivez les instructions affichées à l'écran pour télécharger et installer les pilotes correspondants.
- 9 Après avoir téléchargé les fichiers et avant d'installer les pilotes, consultez le fichier **readme.txt** téléchargé (lisezmoi) afin de disposer d'informations essentielles sur l'installation.

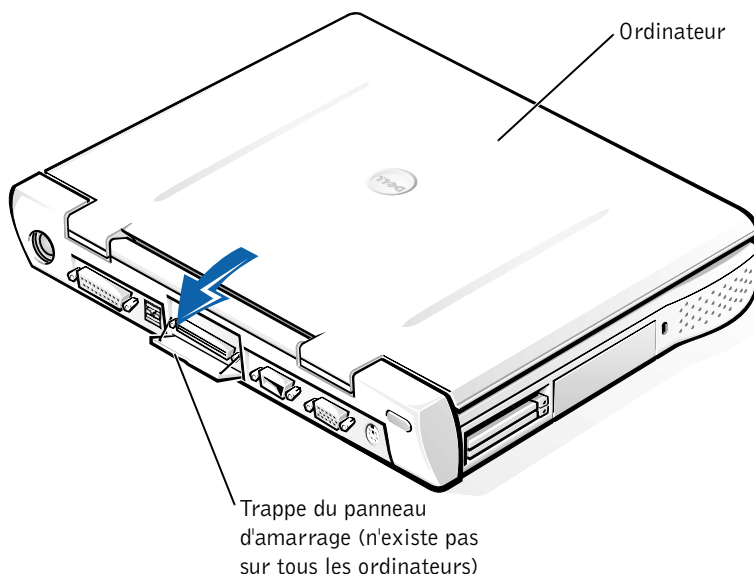
Amarrage de l'ordinateur

Si vous connectez un moniteur au périphérique d'amarrage et que vous allumez le moniteur, une image s'affiche sur l'écran de ce moniteur. Pour passer de cette image à l'affichage de l'ordinateur ou à l'affichage à la fois du moniteur et de l'ordinateur, appuyez sur les touches <Fn><F8>.

Lorsque vous amarrez l'ordinateur au périphérique d'amarrage et que vous allumez l'ordinateur, le voyant d'alimentation vert du panneau de contrôle de l'amarrage s'allume (reportez-vous à la section intitulée « Commandes et voyants du panneau de contrôle de l'amarrage »).

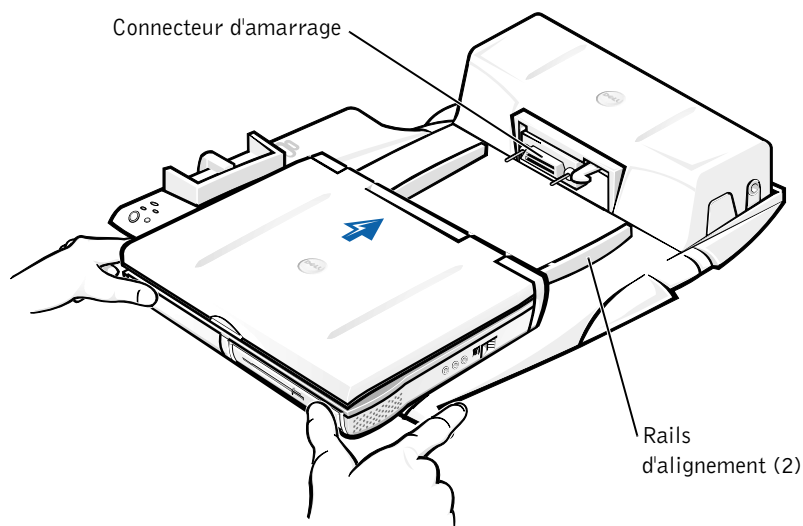
- ➔ **AVIS :** Pour éviter toute perte de données, enregistrez tout fichier ouvert avant de procéder à l'amarrage de l'ordinateur.
- 1 Enregistrez et fermez tous les fichiers, quittez toutes les applications, quittez le système d'exploitation et éteignez l'ordinateur.
- ➔ **AVIS :** Pour éviter d'endommager le connecteur d'accueil, ouvrez la porte du panneau d'accueil avant d'essayer de connecter l'ordinateur au périphérique d'accueil.
- 2 Ouvrez la trappe du panneau d'amarrage située à l'arrière de l'ordinateur, le cas échéant.

Trappe du panneau d'amarrage de l'ordinateur



- 3 Si vous utilisez le périphérique d'amarrage avec un support de moniteur, fermez l'écran de l'ordinateur.
- 4 Assurez-vous que le levier d'éjection/verrouillage est en position de déverrouillage.
- 5 Amarrez l'ordinateur au périphérique d'amarrage en procédant comme indiqué ci-dessous.

Amarriage de l'ordinateur



- a Centrez l'ordinateur horizontalement sur le socle du réplicateur de port avancé, l'arrière de l'ordinateur vers le connecteur d'amarrage du périphérique, comme indiqué dans la section « Amarrage de l'ordinateur ».
- b Faites glisser l'ordinateur vers le connecteur jusqu'à ce que vous sentiez les rainures situées sous l'ordinateur s'enclencher dans les rails d'alignement.

➔ **AVIS :** Si vous tentez de pousser l'ordinateur complètement dans le réplicateur de port avancé sans l'enclencher dans les rails d'alignement, vous risquez d'endommager de façon irréparable le connecteur d'amarrage de l'ordinateur.


- ➔ **AVIS :** Ne soulevez pas l'ordinateur ni le périphérique d'amarrage séparément lorsqu'ils sont amarrés, car vous risquez d'endommager les connecteurs de l'ordinateur et du périphérique d'amarrage.
- ➔ **AVIS :** En cas d'utilisation d'un moniteur avec un support, retirez le moniteur du support avant de mettre en place le panneau de contrôle de l'amarrage.
 - c Poussez doucement l'ordinateur vers l'avant jusqu'à ce que le connecteur d'amarrage soit totalement enclenché.

Tout premier amarrage sous Windows XP et Windows 2000

- 1 Amarrez l'ordinateur et mettez-le sous tension.
- 2 Appuyez sur la touche <F2> au cours de la procédure d'amorçage du système pour afficher le programme de configuration du système.
- 3 Définissez **Docking IRQ (IRQ d'amarrage)** sur **Optimisé**.
- 4 Définissez **Connexion universelle** sur **Activée**.
- 5 Quittez le programme de configuration du système.

Votre système poursuivra la procédure d'amorçage.

Sous Windows 2000, l'Assistant Ajout de nouveau matériel s'affiche.

 **REMARQUE :** Si votre ordinateur exécute Windows XP, le système d'exploitation installe automatiquement vos pilotes. Si votre ordinateur exécute Windows 2000, l'Assistant Ajout de nouveau matériel installe automatiquement vos pilotes.

Tout premier amarrage sous Windows Me

- 1 Amarrez l'ordinateur et mettez-le sous tension.
- 2 Appuyez sur la touche <F2> au cours de la procédure d'amorçage du système pour afficher le programme de configuration du système.
- 3 Définissez **IRQ d'amarrage** sur **Optimisé**.
- 4 Définissez **Connexion universelle** sur **Activée**.
- 5 Quittez le programme de configuration du système.

Votre système poursuivra la procédure d'amorçage.

L'Assistant Ajout de nouveau matériel s'affiche.

- 6 Sélectionnez **Search for the Best Driver for Your Device (Recommended)** [Rechercher le meilleur pilote pour votre périphérique (Recommandé)] et cliquez sur **Suivant**.
- 7 Cliquez sur **Suivant**.
- 8 Suivez les indications figurant dans la fenêtre **Assistant Ajout de nouveau matériel**.
- 9 À chaque invite, sélectionnez **Rechercher le meilleur pilote pour votre périphérique (Recommandé)** et cliquez sur **Suivant**.
- 10 Continuez à suivre les indications pour terminer l'installation.
Le bureau Windows s'affiche et l'installation est terminée.

Tout premier amarrage sous Windows NT 4.0

- 1 Amarrez l'ordinateur et mettez-le sous tension.
- 2 Appuyez sur la touche <F2> au cours de la procédure d'amorçage du système ou appuyez sur <Fn><F1> une fois l'ordinateur démarré pour accéder au programme de configuration du système.
- 3 Définissez **IRQ d'amarrage** sur **Optimisé**.
- 4 Définissez **Connexion universelle** sur **Activée**.
- 5 Quittez le programme de configuration du système.
- 6 Appuyez sur les touches <Ctrl><Alt><Suppr> pour ouvrir une session.

La fenêtre **Docking Station Setup (configuration de la station d'accueil)** s'affiche et indique que l'ordinateur doit être déconnecté pour pouvoir continuer.

- 7 Cliquez sur **OK** et patientez pendant que l'ordinateur s'éteint.
- 8 Déconnectez l'ordinateur (reportez-vous à la section « Déconnexion de l'ordinateur »).

L'ordinateur redémarre automatiquement. Dans le cas contraire, rallumez-le manuellement.

- 9 Cliquez sur le bouton **Start (Démarrer)**, puis sur **Shut Down (Arrêter)**.

- 10 Patientez pendant que l'ordinateur s'éteint complètement et rémarrez l'ordinateur au périphérique d'amarrage.

L'ordinateur redémarre automatiquement. Dans le cas contraire, rallumez-le manuellement.

- 11 Appuyez sur les touches <Ctrl><Alt><Suppr> pour ouvrir une session.

L'ordinateur détecte automatiquement le nouveau périphérique.

- 12 À chaque invite, sélectionnez **Installer le pilote fourni pour le système destiné au périphérique sélectionné (recommandé)** et cliquez sur **OK**.

- 13 Cliquez sur **Continuer (poursuivre)** lorsque la fenêtre **Windows NT Setup (Installation de Windows NT)** s'affiche.

- 14 Sélectionnez **Installer le pilote fourni pour le système destiné au périphérique sélectionné (recommandé)** et cliquez sur **OK**.

- 15 Sélectionnez le nom de votre NIC (contrôleur d'interface réseau) dans le menu déroulant.

- 16 Indiquez si la carte réseau doit obtenir une adresse IP auprès d'un serveur ou si une adresse IP doit être spécifiée.

En cas d'hésitation, consultez votre administrateur système.

- 17 Suivez les indications pour terminer l'installation.

Le bureau Windows s'affiche et l'installation est terminée.

L'ordinateur ne peut pas entrer en mode suspension sur disque pendant qu'il est amarré.

Tout premier amarrage sous Windows 98

- 1 Amarrez l'ordinateur et mettez-le sous tension.
- 2 Appuyez sur la touche <F2> au cours de la procédure d'amorçage du système ou appuyez sur <Fn><F1> une fois l'ordinateur démarré pour accéder au programme de configuration du système.
- 3 Définissez **IRQ d'amarrage** sur **Optimisé**.
- 4 Définissez **Connexion universelle** sur **Activée**.

- 5 Quittez le programme de configuration du système.
L'ordinateur détecte le nouveau matériel.
- 6 Cliquez sur **OK** lorsque la fenêtre **Définir la configuration** s'affiche.
L'**Assistant Ajout de nouveau matériel** s'affiche.
- 7 Cliquez sur **Suivant**.
- 8 Sélectionnez **Search for the Best Driver for Your Device (Recommended)** [**Rechercher le meilleur pilote pour votre périphérique (Recommandé)**] et cliquez sur **Suivant**.
- 9 Désélectionnez toutes les options et cliquez sur **Suivant**.
Une fenêtre apparaît, indiquant que Windows est prêt à rechercher le pilote le mieux adapté à votre périphérique.
- 10 Suivez les indications figurant dans la fenêtre **Assistant Ajout de nouveau matériel**.
- 11 À chaque invite, sélectionnez **Rechercher le meilleur pilote pour votre périphérique (Recommandé)** et cliquez sur **Suivant**.
- 12 Continuez à suivre les indications pour terminer l'installation.

Le bureau Windows s'affiche et l'installation est terminée.

Tout premier amarrage sous Windows 95

- 1 Amarrez l'ordinateur et mettez-le sous tension.
- 2 Appuyez sur la touche <F2> au cours de la procédure d'amorçage du système ou appuyez sur <Fn><F1> une fois l'ordinateur démarré pour accéder au programme de configuration du système.
- 3 Définissez **IRQ d'amarrage** sur **Optimisé**.
- 4 Définissez **Connexion universelle** sur **Activée**.
- 5 Quittez le programme de configuration du système.
L'ordinateur détecte automatiquement le nouveau périphérique.
- 6 Cliquez sur **Oui** lorsque la fenêtre **System Settings Change (Modification des paramètres système)** s'affiche.
L'ordinateur redémarre et détecte automatiquement le nouveau périphérique.

- 7 Cliquez sur **OK** lorsque la fenêtre **Network (Réseau)** s'affiche.
- 8 Sélectionnez l'onglet **Identification** dans la fenêtre **Réseau** suivante.
- 9 Saisissez un **Computer Name (Nom d'ordinateur)** et un **Workgroup (Groupe de travail)** identifiant l'ordinateur sur le réseau, puis cliquez sur **Close (Fermer)**.

Si vous n'êtes pas sûr du **Nom d'ordinateur** et du **Groupe de travail** à saisir, contactez votre administrateur système.



REMARQUE : Vous devez saisir un **Nom d'ordinateur** et un **Groupe de travail** pour procéder à l'installation des pilotes.

L'ordinateur copie automatiquement les fichiers et crée une base de données sur les pilotes.

- 10 Cliquez sur **OK** lorsque la fenêtre **Définir la configuration** s'affiche.
- 11 Suivez les indications pour terminer l'installation.

Le bureau Windows s'affiche et l'installation est terminée.



REMARQUE : Pour utiliser les connecteurs USB, vous devez installer le supplément USB à partir du CD *ResourceCD* dans le répertoire **Win95\OSUpdate**. Si vous installez ce supplément USB, l'ordinateur ne peut plus entrer en mode suspension. Dell vous recommande de ne pas installer de supplément USB sauf si vous envisagez d'utiliser des périphériques USB.

Mise à jour des pilotes sous Windows XP et Windows 2000

Pour mettre à jour les pilotes sous Windows XP et Windows 2000 :

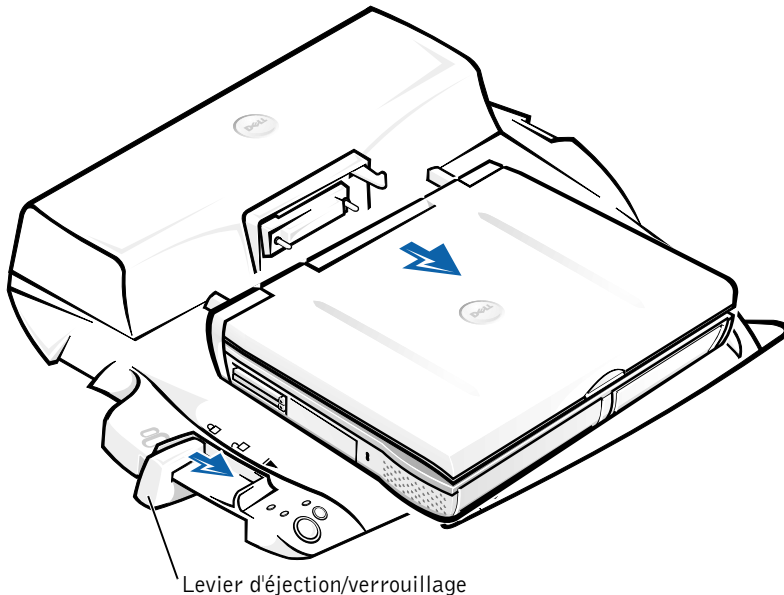
- 1 Cliquez avec le bouton droit sur **Poste de travail** et cliquez sur **Manage (Gérer)**. (*Sous Windows XP, cliquez sur le bouton Démarrer pour accéder au Poste de travail. Sous Windows 2000, le Poste de travail se trouve sur le bureau Windows.*)
- 2 Dans la fenêtre **Computer Management (Gestion de l'ordinateur)**, cliquez sur **Device Manager (Gestionnaire de périphériques)**, puis double-cliquez sur **Network adapters (Cartes réseau)**.
- 3 Double-cliquez sur **3Com 3C920 Integrated Fast Ethernet Controller (contrôleur Fast Ethernet intégré 3Com 3C920)**.
- 4 Cliquez sur l'onglet **Pilote**.
- 5 Cliquez sur **Mettre à jour le pilote...** et suivez les invites à l'écran.

Mise à jour des pilotes sous Windows Me

Pour mettre à jour les pilotes sous Windows Me :

- 1 Cliquez avec le bouton droit sur **Poste de travail**, sur le bureau, puis cliquez sur **Propriétés (Propriétés)**.
- 2 Dans la fenêtre **System Properties (propriétés système)**, cliquez sur l'onglet **Gestionnaire de périphériques**, puis double-cliquez sur **Cartes réseau**.
- 3 Double-cliquez sur **3Com 3C920 Integrated Fast Ethernet Controller (contrôleur Fast Ethernet intégré 3Com 3C920)**.
- 4 Cliquez sur l'onglet **Pilote**.
- 5 Cliquez sur **Mettre à jour le pilote...** et suivez les invites à l'écran.

Déconnexion de l'ordinateur



- ➔ **AVIS :** Si l'ordinateur n'est pas alimenté par une batterie, l'ordinateur s'éteindra lorsque vous le déconnecterez et toutes les données non enregistrées seront perdues.

- ➔ **AVIS :** Ne déconnectez jamais un ordinateur sans avoir préalablement préparé l'ordinateur en conséquence. Si vous déconnectez l'ordinateur sans l'y avoir préalablement préparé, vous allez perdre toutes vos données et l'ordinateur risque de ne pas reprendre un fonctionnement normal pendant plusieurs minutes, voire plus du tout.

Pour préparer l'ordinateur à être déconnecté, suivez l'une des procédures ci-dessous.

- Appuyez sur <Fn><Echap> sur le clavier de l'ordinateur (ou sur <Arrêt Défil.><Echap> sur un clavier externe).

Patiencez pendant quelques secondes, jusqu'à ce que le voyant d'alimentation de l'ordinateur s'éteigne.

- *Sous Windows XP*, cliquez sur le bouton **Démarrer**, puis sur **Undock Computer (Déconnecter l'ordinateur)**.

Sous Windows 95, Windows 98, Windows Me ou Windows 2000, cliquez sur le bouton **Démarrer**, puis sur **Eject PC (Éjecter le PC)**.

Sous Windows NT, cliquez sur l'icône d'amarrage de la barre des tâches, puis cliquez sur **Undock (déconnecter)** pour placer l'ordinateur en mode suspension.

Patiencez pendant quelques secondes, jusqu'à ce que le voyant d'alimentation de l'ordinateur s'éteigne.

- Appuyez sur le bouton de demande de déconnexion sur le panneau de contrôle de l'amarrage (reportez-vous à la figure « Commandes et voyants du panneau de contrôle de l'amarrage »). Patiencez pendant que le voyant d'amarrage vert s'éteint.

Fixation du réplicateur de port avancé C/Port II

Caractéristiques de sécurité

Le périphérique d'amarrage possède les caractéristiques de sécurité suivantes :

- Un levier d'éjection/verrouillage qui vous permet de fixer et d'éjecter votre ordinateur. La position arrière fixe l'ordinateur au réplicateur de port avancé C/Port II. La position du milieu vous permet d'utiliser le périphérique d'amarrage sans le fixer. La position avant permet d'éjecter l'ordinateur du périphérique d'amarrage. Mettez le levier d'éjection/verrouillage en position arrière pour utiliser le cadenas et l'emplacement de l'anneau de sécurité.
- Un loquet à ressort situé à l'avant du panneau qui s'ajuste dans un emplacement de sécurité sous l'ordinateur fixe l'ordinateur au panneau de contrôle de l'amarrage. Tous les ordinateurs Dell ne comportent pas d'emplacement de sécurité.
- Un bouton d'éjection de la baie des périphériques sécurisé qui empêche le retrait des périphériques de la baie des périphériques.
- Un loquet d'accrochage immobilisé pour décourager le retrait de l'ordinateur sans autorisation.

Fixation du réplicateur de port avancé C/Port II

Pour fixer le périphérique d'amarrage, utilisez l'une des méthodes ci-après :

- Utilisez un cadenas seul ou un cadenas relié à un câble de sécurité à boucle dans l'emplacement de cadenas (reportez-vous à la section « Commandes et voyants du panneau de contrôle l'amarrage ») sur le périphérique d'amarrage.

Un cadenas seul bloque le levier d'éjection et complique le retrait de l'ordinateur du périphérique d'amarrage.

Un câble de sécurité à boucle enroulé autour d'un objet stationnaire et utilisé conjointement avec le cadenas peut empêcher le déplacement de l'ordinateur et du réplicateur de port avancé C/Port II sans autorisation.

- Installez un dispositif antivol vendu dans le commerce dans l'emplacement du verrou de sécurité (reportez-vous à la section « Commandes et voyants du panneau de contrôle l'amarrage ») sur le périphérique d'amarrage.

Des dispositifs antivol pour ordinateurs portables sont généralement composés d'un câble galvanisé avec un dispositif de fermeture et une clé associée. Dell vous recommande d'utiliser un verrou Kensington. Des instructions détaillées sur l'installation de ce type de dispositif antivol sont généralement fournies avec le dispositif.

Diagnosics Dell

Les Diagnosics Dell qui ont été livrés avec votre ordinateur Dell Latitude comprennent les tests qui vous aident à dépanner les contrôleurs de votre périphérique d'amarrage.

Les sous-tests du groupe de tests **Network Interface (Interface de réseau)** des diagnosics Dell vérifient le fonctionnement de base du contrôleur de réseau dans le périphérique d'amarrage. Ils testent les fonctions internes du contrôleur, y compris l'accès en écriture et en lecture à ses registres et la capacité interne de transmission et de réception (rebouclage).

Les sous-tests du groupe de tests **Serial/Infrared Ports (Ports série/infrarouge)** vérifient l'interface entre du périphérique d'amarrage et les périphériques externes (une souris ou imprimante série par exemple). Les sous-tests de ce groupe de tests ne sont pas destinés à être utilisés comme tests de diagnostic pour le périphérique externe lui-même.

Les sous-tests du groupe de tests **USB (Universal Serial Bus [Bus série universel])** vérifient l'interface entre du périphérique d'amarrage et les périphériques externes (une souris par exemple). Les sous-tests de ce groupe de tests ne sont pas destinés à être utilisés comme tests de diagnostic pour le périphérique externe lui-même.

Pour des instructions complémentaires sur l'utilisation des diagnosics Dell, reportez-vous au *Guide d'utilisation* de votre ordinateur

Caractéristiques techniques

Caractéristiques techniques

Caractéristiques physiques

Hauteur :

Avec support de moniteur	10,2 cm (4 pouces)
Autonome	5,8 cm (2,3 pouces)

Profondeur :

Avec support de moniteur	39 mm (1,54 pouces)
Autonome	35,8 cm (14,1 pouces)

Largeur :

Avec support de moniteur	40,9 cm (16,1 pouces)
Autonome	37,5 cm (14,8 pouces)

Poids :

Avec support de moniteur	3 kg (6,5 livres)
Autonome	1,6 kg (3,5 livres)

Alimentation

Tension d'entrée de l'adaptateur
CA/CC :

Tension	100–200 VAC, 50–60 Hz
Intensité de courant	1,5 A

Tension d'entrée du réplicateur
de port avancé II :

Tension	requiert 20 VDC de l'adaptateur CA/CC
Intensité de courant	3,5 A

Caractéristiques techniques

E/S

Série (DTE)	connecteur tampon 16 octets, compatible 16550
Parallèle	connecteur unidirectionnel, bidirectionnel ou ECP
PS/2	deux connecteurs mini-DIN
USB	deux connecteurs compatibles USB
Infrarouge	capteur infrarouge compatible aux normes IrDA 1.1 (IR Rapide) et 1.0
Ligne de sortie audio	prise jack audio (pour des écouteurs en option)
Vidéo	un connecteur
Réseau	un connecteur RJ45
Amarrage (pour la connexion à l'ordinateur)	un connecteur

Contrôleur de réseau Ethernet

Jeu de puces	3Com® 3C920 ; 10/100 BASE-TX (conforme PC99)
Largeur du bus de données	interface de bus de l'hôte PCI de 32 bits
IRQ	IRQ10

Instructions de sécurité et de CEM (Compatibilité électromagnétique) : Ordinateurs portables

Les informations suivantes indiquent la signification des symboles *supplémentaires* utilisés *uniquement* dans les instructions de Sécurité et de Compatibilité Électromagnétique (CEM).



Risque d'explosion



Symbole de référence avion



Risque d'incendie



L'utilisation de cette fonction peut être interdite en avion



Risque de choc électrique



Instructions de sécurité

Généralités

- Lorsque vous installez l'APR pour travailler, placez-le sur une surface plane.
- N'essayez pas de réparer l'ordinateur vous-même à moins que vous ne soyez un technicien qualifié. Suivez toujours scrupuleusement les instructions d'installation.
- Si vous raccordez une rallonge à votre adaptateur CA/CC, assurez-vous que l'intensité totale du courant drainé par tous les appareils raccordés à cette rallonge ne dépasse pas la limite de cette dernière.



- N'insérez pas d'objets dans les orifices d'aération ou dans les ouvertures de votre ordinateur. Cela risquerait de provoquer un incendie ou un choc électrique dû à un court-circuit des composants internes.



- L'adaptateur CA/CC doit se trouver dans une zone aérée, par exemple sur un bureau ou sur le sol, lorsqu'il est utilisé pour alimenter l'ordinateur ou pour charger la batterie. Ne recouvrez pas l'adaptateur CA/CC de papiers ou autres objets susceptibles d'entraver le refroidissement. De même, n'utilisez pas l'adaptateur CA/CC dans une valise de transport.



- N'utilisez pas votre ordinateur dans un environnement humide, par exemple près d'une baignoire, d'un évier, d'une piscine ou dans un sous-sol humide.



- Pour éviter tout risque de décharge électrique, n'effectuez aucun branchement ou débranchement, ni aucune opération de maintenance ou de reconfiguration de ce produit pendant un orage. N'utilisez pas votre ordinateur pendant un orage, à moins qu'il n'ait été déconnecté de tous ses câbles et qu'il fonctionne sur batterie.
- Utilisez uniquement l'adaptateur CA/CC et les batteries conçus pour être utilisés avec cet ordinateur, comme le précise ce guide. Le recours à un autre type de batterie ou d'adaptateur CA/CC présente un risque d'incendie ou d'explosion.
- Avant de nettoyer la station d'amarrage, éteignez-la et débranchez l'adaptateur CA/CC de la prise électrique. Nettoyez la station d'amarrage avec un tissu doux et humidifié avec de l'eau. N'utilisez pas de liquide ni d'aérosol nettoyants, ceux-ci peuvent contenir des substances inflammables.



Alimentation (Instructions de sécurité)



- Utilisez uniquement l'adaptateur CA/CC fourni par Dell et conçu pour être utilisé avec cet APR. L'utilisation d'un autre adaptateur CA/CC peut provoquer un incendie ou une explosion.
- Avant de raccorder l'APR à une prise électrique, assurez-vous que la tension du secteur est compatible avec la tension d'entrée de l'adaptateur de CA/CC.
- Pour mettre l'ordinateur totalement hors tension, éteignez-le et débranchez l'adaptateur CA/CC de la prise électrique.



- Pour éviter tout risque de décharge électrique, branchez l'adaptateur CA/CC et les cordons d'alimentation de l'ordinateur et de ses périphériques sur des prises possédant un circuit de mise à la terre adéquat. Il se peut que ces câbles d'alimentation soient équipés de prises à trois broches afin de fournir une mise à la terre. N'utilisez pas les fiches intermédiaires ou ne retirez pas la broche de masse d'un câble. Si vous utilisez une rallonge électrique, veillez à ce qu'elle comporte des prises à deux ou trois broches, afin de pouvoir la raccorder au câble d'alimentation de l'adaptateur CA/CC.
- Assurez-vous que rien ne repose sur le cordon d'alimentation de l'adaptateur CA/CC et que ce cordon n'est pas placé dans un endroit où l'on pourrait marcher ou trébucher dessus.



- Si vous utilisez une barrette d'alimentation multiprise, soyez prudent lorsque vous y raccordez le cordon de l'adaptateur CA/CC. Certaines rampes d'alimentation peuvent ne pas empêcher l'insertion d'une prise de façon incorrecte. L'insertion incorrecte de la prise de courant peut provoquer un dommage irréparable sur votre ordinateur, ainsi qu'un risque de choc électrique et/ou d'incendie. Assurez-vous que le contact de mise à la terre de la prise de courant est inséré dans le contact de mise à la terre correspondant de la rampe d'alimentation.

Réglémentations

Une interférence électromagnétique (EMI, Electromagnetic Interference) est un signal ou une émission, véhiculé(e) dans l'espace libre ou par des conducteurs électriques ou de signaux, qui peut mettre en danger le fonctionnement d'une radionavigation ou autre service de sécurité ou sérieusement dégrader, obstruer ou interrompre à maintes reprises un service de communications radio autorisé. Les services de communications radio incluent, de manière non limitative, les services de radiodiffusion commerciale AM/FM, la télévision, les services de téléphonie cellulaire, la radiodétection, le contrôle de la circulation aérienne, les récepteurs de radiomessagerie et les systèmes GSM. Ces services autorisés, ainsi que les éléments rayonnants parasites involontaires tels que les dispositifs numériques, y compris les ordinateurs, contribuent à l'environnement électromagnétique.

La compatibilité électromagnétique (CEM) est la capacité des éléments d'un équipement électronique à interagir correctement dans l'environnement électronique. Bien que cet ordinateur ait été conçu dans le respect de cette compatibilité et soit conforme aux seuils fixés en matière d'interférences électromagnétiques par l'organisme de réglementation, il n'y a aucune garantie concernant les interférences susceptibles de se produire sur une installation particulière. Si l'équipement crée effectivement des interférences avec des services de communications radio (ce qui peut être déterminé en l'éteignant et en l'allumant), l'utilisateur est encouragé à essayer de corriger ce phénomène en prenant l'une ou l'ensemble des mesures suivantes :

- Changer l'orientation de l'antenne de réception.
- Repositionner l'ordinateur en fonction du récepteur.
- Éloigner l'ordinateur du récepteur.
- Brancher l'ordinateur sur une autre prise, pour faire en sorte que l'ordinateur et le récepteur se trouvent sur différents circuits de dérivation.

Si nécessaire, consulter un membre de l'équipe du support technique de Dell ou un technicien radio/télévision expérimenté pour des suggestions supplémentaires.

Les ordinateurs Dell sont conçus, testés et classés pour l'environnement électromagnétique dans lequel il est prévu de les utiliser. Ces classifications font généralement référence aux définitions harmonisées suivantes :

- Classe A : environnements professionnels ou industriels.
- Classe B : environnements résidentiels.

Les équipements informatiques, y compris les périphériques, cartes d'extension, imprimantes, périphériques d'entrée/sortie (E/S), moniteurs, etc., qui sont intégrés ou connectés à l'ordinateur doivent appartenir à la même classification CEM que l'ordinateur.

Remarque sur les câbles de signal blindés : N'utilisez que des câbles blindés pour connecter les périphériques aux dispositifs Dell, afin de réduire la possibilité d'interférence avec les services de communications radio. L'utilisation de câbles blindés permet de rester dans la classification CEM pour l'environnement prévu. Dell propose un câble pour les imprimantes utilisant le port parallèle. Si vous le souhaitez, vous pouvez commander un câble sur le World Wide Web, à l'adresse suivante : <http://accessories.us.dell.com/>.

La plupart des ordinateurs Dell sont répertoriés pour les environnements de classe B. Cependant, l'inclusion de certaines options peut provoquer le passage de certaines configurations en classe A. Pour déterminer la classe s'appliquant à votre ordinateur ou périphérique, consultez les sections suivantes, propres à chaque organisme de réglementation. Chaque section propose, de façon spécifique pour tel(le) pays ou zone géographique, des informations CEM/EMI ou relatives à la sécurité des produits.

Réglementation CE (Union Européenne)

Le symbole **CE** indique la conformité de cet ordinateur Dell aux directives de CEM (compatibilité électromagnétique) et de basse tension de la Communauté Européenne. Un tel symbole indique que ce système Dell est conforme aux normes techniques suivantes :

- EN 55022 — « Limits and Methods of Measurement of Radio Interference Characteristics of Information Technology Equipment, (Limites et méthodes de mesure des caractéristiques d'interférence radio des équipements de technologie de l'information) ».

- EN 55024 — « Information technology equipment - Immunity characteristics - Limits and methods of measurement (Équipements de technologie de l'information - Caractéristiques d'immunité - Limites et méthodes de mesure) ».
- EN 61000-3-2 — « Electromagnetic compatibility (EMC) - Part 3: Limits - Section 2: Limits for harmonic current emissions (Equipment input current up to and including 16 A per phase) [Compatibilité électromagnétique (CEM), Partie 3 : Limites, Section 2 : Limites pour les émissions de courant harmonique (Courant d'entrée d'équipement allant jusqu'à 16 A par phase)] ».
- EN 61000-3-3 — « Electromagnetic compatibility (EMC) - Part 3: Limits - Section 3: Limitation of voltage fluctuations and flicker in low-voltage supply systems for equipment with rated current up to and including 16 A (Compatibilité électromagnétique (CEM), Partie 3 : Limites, Section 3 : Limitation des fluctuations de tension et du scintillement dans les systèmes d'alimentation basse tension applicable aux équipements dotés d'un courant nominal allant jusqu'à 16 A) ».
- EN 60950 - « Safety of Information Technology Equipment (Protection des équipements de technologie de l'information) ».



REMARQUE : Les exigences des émissions EN 55022 mènent à deux classifications :

- La classe A concerne les zones commerciales normales.
- La classe B concerne les environnements résidentiels.

Cet appareil Dell est classé pour une utilisation dans un environnement résidentiel (classe B).

Une « Déclaration de conformité », conformément aux directives et normes précédemment citées, a été établie et est conservée chez Dell Computer Corporation Products Europe BV, à Limerick, en Irlande.

Conformité EN 55022 (République Tchèque seulement)

Cet appareil appartient à la classe B comme décrit dans la norme EN 55022, à moins qu'il ne soit spécifié sur l'étiquette d'enregistrement qu'il est de classe A. Ce qui suit s'applique aux appareils de classe A (norme EN 55022 [rayon de protection égal ou inférieur à 30 mètres]). L'utilisateur de l'appareil doit prendre toutes les mesures nécessaires pour retirer les sources d'interférences des télécommunications ou d'autres périphériques.

Pokud není na typovém štítku počítače uvedeno, že spadá do třídy A podle EN 55022, spadá automaticky do třídy B podle EN 55022. Pro zařízení zařazená do třídy A (ochranné pásmo 30m) podle EN 55022 platí následující. Dojde-li k rušení telekomunikačních nebo jiných zařízení, je uživatel povinen provést taková opatření, aby rušení odstranil.

Avis du Centre polonais de test et d'agrément

Cet équipement doit être alimenté à partir d'une prise dotée d'un circuit de protection (connecteur à trois fiches). Tous les équipements fonctionnant ensemble (ordinateur, moniteur, imprimante, etc.) doivent être alimentés par le même circuit.

Le conducteur de la phase du circuit électrique local doit disposer d'un dispositif de protection contre les courts-circuits sous la forme d'un fusible d'intensité non supérieure à 16 ampères (A).

Pour éteindre totalement l'équipement, le câble d'alimentation doit être débranché de la prise électrique, qui doit être située à proximité de l'équipement et aisément accessible.

Une marque de protection « B » confirme la conformité de l'équipement aux spécifications des normes PN-93/T-42107 et PN-EN 55022 : 1996.

Wymagania Polskiego Centrum Badań i Certyfikacji

Urządzenie powinno być zasilane z gniazda z przyłączonym obwodem ochronnym (gniazdo z kołkiem). Współpracujące ze sobą urządzenia (komputer, monitor, drukarka) powinny być zasilane z tego samego źródła.

Instalacja elektryczna pomieszczenia powinna zawierać w przewodzie fazowym rezerwową ochronę przed zwarciami, w postaci bezpiecznika o wartości znamionowej nie większej niż 16A (amperów).

W celu całkowitego wyłączenia urządzenia z sieci zasilania, należy wyjąć wtyczkę kabla zasilającego z gniazdka, które powinno znajdować się w pobliżu urządzenia i być łatwo dostępne.

Znak bezpieczeństwa "B" potwierdza zgodność urządzenia z wymaganiami bezpieczeństwa użytkownika zawartymi w PN-93/T-42107 i PN-EN 55022:1996.

Jeżeli na tabliczce znamionowej umieszczono informację, że urządzenie jest klasy A, to oznacza to, że urządzenie w środowisku mieszkalnym może powodować zakłócenia radioelektryczne. W takich przypadkach można żądać od jego użytkownika zastosowania odpowiednich środków zaradczych.

Pozostałe instrukcje bezpieczeństwa

- Nie należy używać wtyczek adapterowych lub usuwać kołka obwodu ochronnego z wtyczki. Jeżeli konieczne jest użycie przedłużacza to należy użyć przedłużacza 3-żyłowego z prawidłowo połączonym przewodem ochronnym.
- System komputerowy należy zabezpieczyć przed nagłymi, chwilowymi wzrostami lub spadkami napięcia, używając eliminatora przepięć, urządzenia dopasowującego lub bezzakłócenowego źródła zasilania.
- Należy upewnić się, aby nic nie leżało na kablach systemu komputerowego, oraz aby kable nie były umieszczone w miejscu, gdzie można byłoby na nie nadeptywać lub potykać się o nie.
- Nie należy rozlewać napojów ani innych płynów na system komputerowy.
- Nie należy wpychać żadnych przedmiotów do otworów systemu komputerowego, gdyż może to spowodować pożar lub porażenie prądem, poprzez zwarcie elementów wewnętrznych.
- System komputerowy powinien znajdować się z dala od grzejników i źródeł ciepła. Ponadto, nie należy blokować otworów wentylacyjnych. Należy unikać kładzenia luźnych papierów pod komputer oraz umieszczania komputera w ciasnym miejscu bez możliwości cyrkulacji powietrza wokół niego.

Réglementation CE

Cet appareil est conforme aux spécifications de la Directive européenne 1999/5/EC.

Dell™ Latitude™ C/Port II APR

Systeminformationshandbuch

Hinweise, Vorsichtshinweise und Warnungen



HINWEIS: Ein HINWEIS macht auf wichtige Informationen aufmerksam, mit denen Sie das System besser einsetzen können.



VORSICHT: VORSICHT warnt vor möglichen Beschädigungen der Hardware oder vor Datenverlust und zeigt, wie diese vermieden werden können.



WARNUNG: Eine **WARNUNG** weist auf Gefahrenquellen hin, die materielle Schäden, Verletzungen oder sogar den Tod von Personen zur Folge haben können.

Irrtümer und technische Änderungen vorbehalten.

© 2001 Dell Computer Corporation. Alle Rechte vorbehalten.

Nachdrucke jeglicher Art ohne die vorherige schriftliche Genehmigung der Dell Computer Corporation sind strengstens untersagt.

Marken in diesem Text: *Dell*, das *DELL*-Logo, *Latitude* und *DellWare* sind Marken der Dell Computer Corporation; *3Com* ist eine Marke der 3Com Corporation; *Microsoft*, *Windows* und *Windows NT* sind eingetragene Marken der Microsoft Corporation.

Alle anderen in dieser Dokumentation genannten Marken und Handelsbezeichnungen sind Eigentum der entsprechenden Hersteller und Firmen. Die Dell Computer Corporation verzichtet auf alle Besitzrechte an Marken und Handelsbezeichnungen, die nicht ihr Eigentum sind.

Dieses Produkt ist durch eine spezielle Copyright-Technik geschützt, die durch Verfahrensansprüche bestimmter, in den USA angemeldeter Patente und anderer Rechte auf geistiges Eigentum im Besitz der Macrovision Corporation und anderer Besitzer geschützt ist. Die Verwendung dieser Technik zum Schutz des Copyright muss von Macrovision Corporation genehmigt werden und ist nur für den privaten Gebrauch sowie eine anderweitig eingeschränkte Nutzung bestimmt, sofern nicht anders von Macrovision Corporation festgelegt. Reverse Engineering oder Deassemblierung ist nicht gestattet.

Oktober 2001

P/N 4G281

Rev. A01

Systeminformationshandbuch

Dieses Dokument enthält Informationen zum Einrichten des APR, zur Sicherheit sowie zu den Zulassungsbestimmungen für Ihren Latitude C/Port II Advanced Port Replicator (APR) von Dell. Außerdem ist angegeben, welche zusätzlichen Dokumente von Dell erhältlich sind und wie Sie diese anfordern können.

Weitere verfügbare Dokumente

- Dokumentationsaktualisierungen, die manchmal im Lieferumfang des Docking-Gerätes enthalten sind und in denen aktuelle Änderungen am Docking-Gerät bzw. an der Software beschrieben werden. Lesen Sie immer zuerst diese aktuellen Informationen, *bevor* Sie andere Dokumentationen zur Hand nehmen, da sie den neuesten technischen Stand widerspiegeln.
- Dokumentation, die mit getrennt vom Docking-Gerät bestellten Optionen geliefert wird. Diese Dokumentation umfasst Informationen, die Sie zum Konfigurieren und Installieren dieser Optionen im Docking-Gerät benötigen.

Weitere Hilfe

Dell stellt eine Reihe von Hilfswerkzeugen zur Verfügung, die Ihnen bei Problemen beim Betrieb des Docking-Gerätes weiterhelfen. Informationen zu diesen Hilfswerkzeugen finden Sie im Kapitel „Weitere Hilfe“ des *Benutzerhandbuchs*.

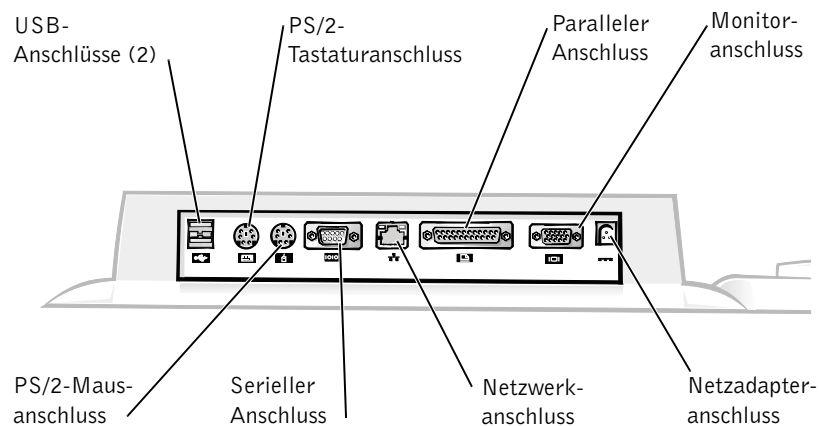
Docking-Gerät – Übersicht

HINWEIS: Informieren Sie Ihren Netzwerkadministrator, bevor Sie das Docking-Gerät an ein Netzwerk anschließen.

Sie müssen den Netzadapter mit dem Docking-Gerät verbinden, bevor Sie den Computer an das Docking-Gerät anschließen und ihn einschalten. Der Netzadapter versorgt sowohl das Docking-Gerät als auch den Computer gleichzeitig mit Strom. Während der Computer an das Docking-Gerät angeschlossen ist, werden alle im Computer installierten Batterien aufgeladen.





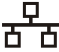



VORSICHT: Verwenden Sie ausschließlich den Dell PA-6 Netzadapter, der mit Ihrem Docking-Gerät geliefert wurde. Bei Verwendung eines anderen handelsüblichen Netzadapters oder eines Netzadapters für ein älteres Computermodell von Dell können Docking-Gerät und Computer beschädigt werden.

E/A-Leiste des Docking-Gerätes

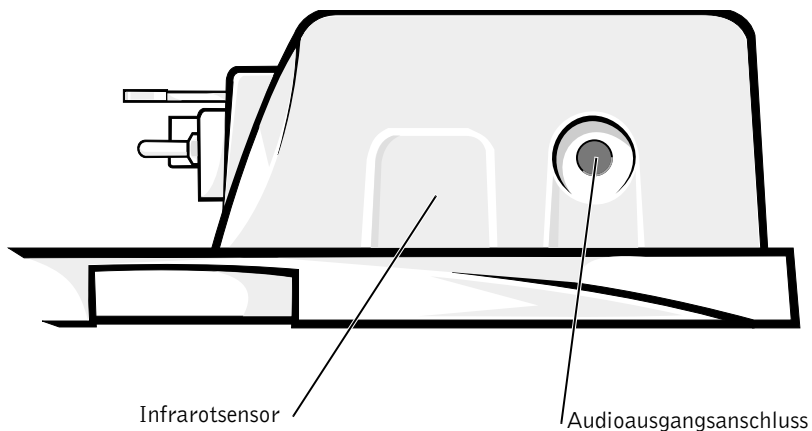


In der Tabelle „Externe E/A-Anschlüsse“ sind die Symbole für jeden der Anschlüsse auf der Rückseite des APR aufgeführt. Außerdem wird angegeben, welche externen Geräte an jeden Anschluss angeschlossen werden können.

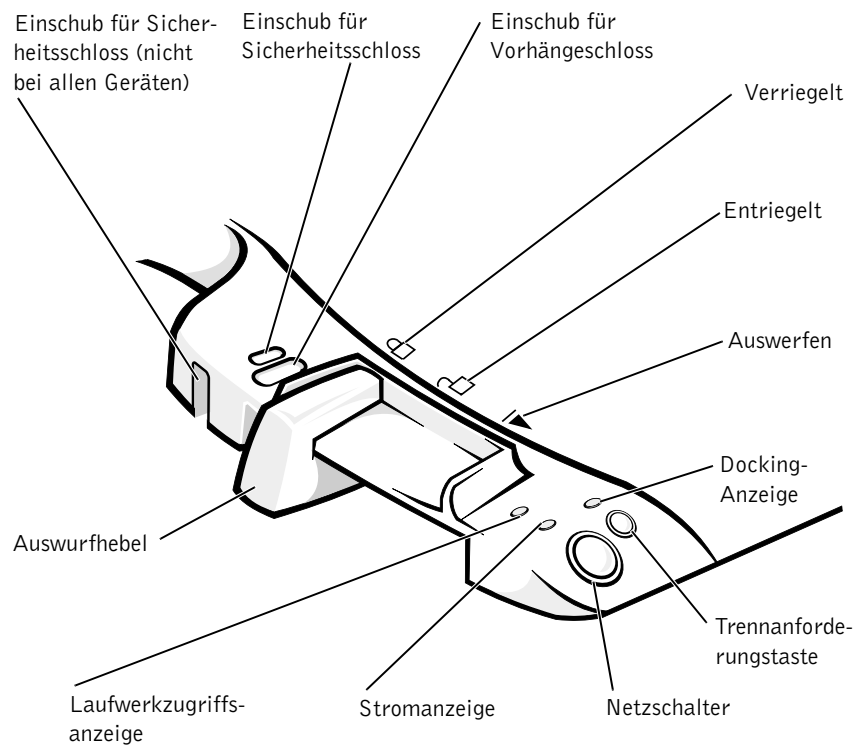
Externe E/A-Anschlüsse

Anschlusssymbol	Anschlussbeschreibung
	Anschluss eines oder zweier USB-Geräte wie einer USB-Maus an den Dual-USB-Anschluss
	Anschluss einer externen PS/2-Tastatur oder Zehnertastatur an den PS/2-Tastaturanschluss
	Anschluss einer externen PS/2-Maus an den PS/2-Mausanschluss
	Anschluss eines seriellen Gerätes wie einer seriellen Maus oder eines externen Modems an den seriellen Schnittstellenanschluss
	Anschluss eines Netzwerkschnittstellen-Kabels an den NSK-Anschluss
	Anschluss eines parallelen Gerätes wie eines Druckers an den parallelen Schnittstellenanschluss
	Anschluss eines externen Monitors an den Monitoranschluss
	Anschluss eines mit dem APR gelieferten Netzadapters an den Netzadapteranschluss

Audioanschlüsse und Infrarotsensor



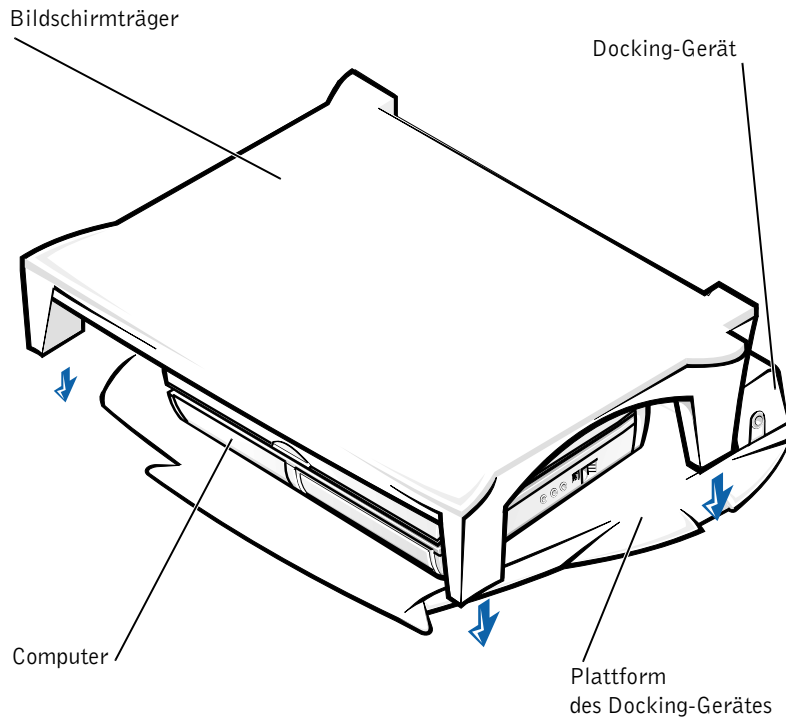
Bedienelemente und Anzeigen des Docking-Gerätes



Bildschirmträger

- ➔ **VORSICHT:** Der Träger eignet sich für Monitore bis 45,3 Kilogramm.
Wird ein schwererer Monitor darauf abgestellt, können Träger, Computer und Docking-Gerät beschädigt werden.

Docking-Gerät mit Bildschirmträger



- 🔑 **HINWEIS:** Stellen Sie sicher, dass die hinteren Füße des Bildschirmträgers in beide Schlitze an der Docking-Gerät-Plattform eingesetzt sind.

Vorbereitungen für den Anschluss an das Docking-Gerät

Wenn das Betriebssystem Microsoft® Windows® 9x, Windows NT® oder Windows Millennium (Me) installiert ist, müssen Sie zunächst feststellen, ob die erforderlichen Docking-Treiber vorhanden sind. Wenn das nicht der Fall ist, müssen Sie diese installieren, bevor der Computer das erste Mal an das Docking-Gerät angeschlossen wird. Führen Sie für die Installation der Treiber die Schritte unter „Installieren der Docking-Treiber“ aus.



HINWEIS: Unter dem Betriebssystem Windows XP oder Windows 2000 werden die Treiber automatisch installiert. Sie müssen die Schritte unter „Installieren der Docking-Treiber“ also nicht ausführen. Fahren Sie stattdessen mit dem Abschnitt „Anschließen des Computers an das Docking-Gerät“ fort.

So stellen Sie fest, ob auf dem Computer bereits Docking-Treiber installiert sind:

- 1 Auf das Symbol **Arbeitsplatz** doppelklicken.
- 2 Auf **Systemsteuerung** doppelklicken.
- 3 Auf das Symbol **Software** doppelklicken.
- 4 Die geeigneten Docking-Treiber in der Programmliste suchen.

Unter Windows 9x und Windows Me nach dem Treiber mit dem Namen suchen, in dem die Wörter **Quick Install** enthalten sind. Beispielsweise: Dell Dock **Quick Install** for Windows.

Unter Windows NT nach dem Treiber **NT Softex Docking Services** suchen.

Wenn die Docking-Treiber nicht installiert sind, mit dem nächsten Abschnitt „Installieren der Docking-Treiber“ fortfahren. Andernfalls mit dem Abschnitt „Anschließen des Computers an das Docking-Gerät“ fortfahren.

Installieren der Docking-Treiber

Für die Installation der Docking-Treiber stehen Ihnen folgende Möglichkeiten zur Verfügung:

- Sie installieren die Treiber von der *ResourceCD* bzw. der *Drivers and Utilities-CD*, die mit Ihrem Computer oder dem Docking-Gerät geliefert wurde.
- Sie laden die Treiber von der Support-Website von Dell herunter.

Installieren der Docking-Treiber von der *ResourceCD* oder der *Drivers and Utilities-CD*

- 1 Die *ResourceCD* bzw. die *Drivers and Utilities-CD* in das CD-Laufwerk einlegen.

In der Regel wird das Programm auf der CD automatisch gestartet. Andernfalls den Windows-Explorer starten, auf das Verzeichnis des CD-Laufwerks klicken, um den Inhalt der CD anzuzeigen, und anschließend auf die Anwendungsdatei **autorcd** doppelklicken. Auf der Begrüßungsseite auf **Next (Weiter)** klicken. Wenn Sie die CD zum ersten Mal ausführen, werden Sie möglicherweise aufgefordert, bestimmte Setup-Dateien zu installieren. Auf **OK** klicken und anschließend den Anweisungen auf dem Bildschirm folgen.

- 2 Im Listenfeld **Language (Sprache)** in der Symbolleiste die gewünschte Sprache für den Treiber auswählen (sofern möglich).

Eine Begrüßungsseite wird angezeigt.

- 3 Auf **Weiter** klicken.

- 4 Unter **Search Criteria (Suchkriterien)** die entsprechenden Kategorien in den Listenfeldern **System Model (Systemmodell)** und **Operating System (Betriebssystem)** auswählen.

Für das Betriebssystem *Windows 9x* oder *Windows Me* im Listenfeld **Device Type (Gerätetyp)** die Option **System Utilities (Systemprogramme)** und anschließend unter **Topic (Thema)** die Option **Drivers (Treiber)** auswählen.

Für das Betriebssystem *Windows NT* im Listenfeld **Device Type (Gerätetyp)** die Option **System Utilities (Systemprogramme)** und anschließend unter **Topic (Thema)** die Option **Utilities (Dienstprogramme)** auswählen.

Eine Verknüpfung bzw. mehrere Verknüpfungen zu den von Ihrem Computer verwendeten Treibern bzw. Dienstprogrammen wird bzw. werden angezeigt.

- 5 Für das Betriebssystem *Windows 9x* oder *Windows Me* auf die Verknüpfung für das Dienstprogramm **Dell Dock QuickInstall** klicken.

Mit dem Dienstprogramm **Dell Dock QuickInstall** werden die erforderlichen Treiber auf Ihrem Computer installiert.

Für das Betriebssystem *Windows NT* auf die Verknüpfung für **Softex Docking Services** klicken.

- 6 Auf die Schaltfläche **Install (Installieren)** klicken, um die automatische Installation zu starten. Auf der Begrüßungsseite den Bildschirmanweisungen folgen, um die Installation abzuschließen.



HINWEIS: Bei einigen ResourceCD-Versionen muss der Benutzer eventuell durch die Ordner navigieren, um den richtigen Treiber zu finden. Vollständige Anweisungen zur Neuinstallation von Treibern finden Sie im *Benutzerhandbuch*.

So installieren Sie die Docking-Treiber von der Support-Website von Dell:

- 1 Die Support-Website von Dell über die Adresse **http://support.dell.com** aufrufen. Wenn Sie die Website das erste Mal aufrufen, die USA auswählen, indem Sie auf die angezeigte Landkarte klicken.

Die Seite **Welcome to support.dell.com** wird geöffnet.

- 2 Die Informationen zu Ihrem Docking-Gerät eingeben und anschließend auf **Go! (Los!)** klicken.

Auf **Downloads For Your Dell (Downloads für Ihren Dell-Computer)** klicken.

Im Fenster **Downloads für Ihren Dell-Computer** wird ein kurzes Formular angezeigt, das Sie ausfüllen müssen.

- 3 Die Service-Kennnummer eingeben oder ein Dell-System auswählen.
- 4 Ihr Betriebssystem und die Sprache des Betriebssystems auswählen.
- 5 Als Download-Kategorie **System and Configuration Utilities (System- und Konfigurationsprogramme)** auswählen.
- 6 Auf **Los!** klicken.

- 7 Für das Betriebssystem Windows 9x oder Windows Me auf die Verknüpfung für das Dienstprogramm **Dell Dock QuickInstall** klicken.

Für das Betriebssystem Windows NT auf die Verknüpfung für **Softex Docking Services** klicken.

- 8 Die Bildschirmanweisungen befolgen, um die erforderlichen Treiber herunterzuladen und zu installieren.
- 9 Nach dem Download der Dateien und vor der Installation der Treiber die Datei **readme.txt** lesen, die mit den Dateien heruntergeladen wurde und wichtige Informationen zur Installation enthält.

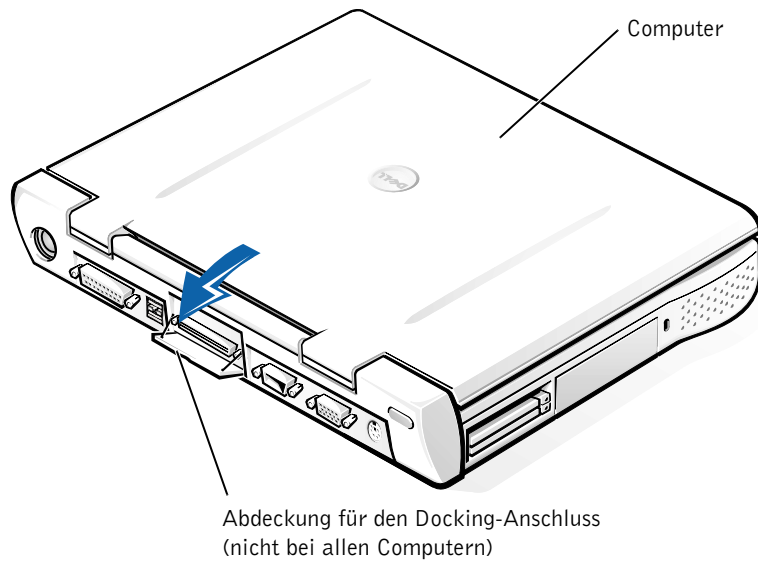
Anschließen des Computers an das Docking-Gerät

Wenn Sie einen Monitor an das Docking-Gerät anschließen und den Monitor einschalten, erscheint die Anzeige auf dem Monitorbildschirm. Drücken Sie die Tastenkombination <Fn><F8>, um das Bild nacheinander auf dem Monitorbildschirm, dem Computerbildschirm und dann auf beiden Bildschirmen anzuzeigen.

Wenn Sie den Computer an das Docking-Gerät anschließen und danach den Computer einschalten, leuchtet die grüne Stromanzeige an der Docking-Plattform (siehe „Bedienelemente und Anzeigen des Docking-Gerätes“).

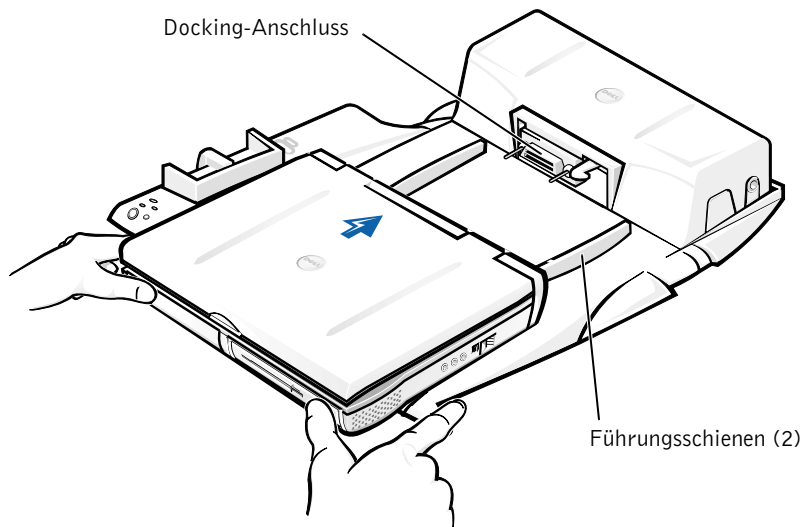
- ➔ **VORSICHT:** Speichern Sie vor dem Anschließen des Computers alle geöffneten Dateien, um Datenverlust zu vermeiden.
- 1 Alle Dateien speichern und schließen sowie alle Anwendungsprogramme und danach das Betriebssystem beenden. Den Computer ausschalten.
- ➔ **VORSICHT:** Um Schäden am Docking-Anschluss zu vermeiden, öffnen Sie die Abdeckung des Docking-Anschlusses, bevor Sie den Computer an das Docking-Gerät anschließen.
- 2 Ist der Docking-Anschluss mit einer Abdeckung versehen, diese auf der Rückseite des Computers öffnen.

Abdeckung für den Docking-Anschluss am Computer



- 3 Wird ein Docking-Gerät mit Bildschirmträger verwendet, den Bildschirm des Computers schließen.
- 4 Sicherstellen, dass sich der Auswurfhebel in der entriegelten Position befindet.
- 5 Den Computer mit folgenden Schritten an das Docking-Gerät anschließen:

Anschließen des Computers an das Docking-Gerät



- a Den Computer waagrecht und mittig auf die APR-Plattform setzen. Dabei sollte die Rückseite des Computers zum Docking-Anschluss des Docking-Gerätes weisen, wie in der Abbildung „Anschließen des Computers an das Docking-Gerät“ gezeigt.
- b Den Computer in Richtung Anschluss schieben, bis die Führungsschienen spürbar in die Nuten an der Unterseite des Computers greifen.

➔ **VORSICHT:** Wenn Sie versuchen, den Computer in den APR einzuschieben, ohne dass die Führungsschienen greifen, kann der Docking-Anschluss am Computer irreparabel beschädigt werden.

➔ **VORSICHT:** Versuchen Sie nicht, den Computer oder das Docking-Gerät einzeln anzuheben, während sie verbunden sind. Dadurch könnten die Anschlüsse am Computer und am Docking-Gerät beschädigt werden.

➔ **VORSICHT:** Wenn sich ein externer Monitor auf dem Bildschirmträger befindet, nehmen Sie den Monitor vom Träger, bevor Sie die Docking-Plattform verschieben.

- c Den Computer vorsichtig einschieben, bis der Docking-Anschluss voll eingerastet ist.

Erstes Anschließen des Computers unter Windows XP und Windows 2000

- 1 Den Computer an das Docking-Gerät anschließen und einschalten.
- 2 Während des Systemstarts die Taste <F2> drücken, um das System-Setup-Programm aufzurufen.
- 3 Die Option **Docking IRQ (Docking-IRQ)** auf **Optimized (Optimiert)** setzen.
- 4 Die Option **Universal Connect (Universalanschluss)** auf **Enabled (Aktiviert)** setzen.
- 5 Das System-Setup-Programm beenden.
Das System setzt die Startroutine fort.

Unter Windows 2000 wird der **Hardware-Assistent** angezeigt.



HINWEIS: *Unter Windows XP* installiert das Betriebssystem automatisch die Treiber. *Unter Windows 2000* werden die Treiber automatisch durch den **Hardware-Assistenten** installiert.

Erstes Anschließen des Computers unter Windows Me

- 1 Den Computer an das Docking-Gerät anschließen und einschalten.
- 2 Während des Systemstarts die Taste <F2> drücken, um das System-Setup-Programm aufzurufen.
- 3 Die Option **Docking IRQ (Docking-IRQ)** auf **Optimized (Optimiert)** setzen.
- 4 Die Option **Universal Connect (Universalanschluss)** auf **Enabled (Aktiviert)** setzen.
- 5 Das System-Setup-Programm beenden.
Das System setzt die Startroutine fort.
Der **Hardware-Assistent** wird angezeigt.
- 6 Die Option **Nach dem besten Treiber für das Gerät suchen (empfohlen)** auswählen und anschließend auf **Weiter** klicken.
- 7 Erneut auf **Weiter** klicken.

- 8 Die Anweisungen im Fenster **Hardware-Assistent** befolgen.
- 9 Nach entsprechenden Aufforderungen jeweils die Option **Nach dem besten Treiber für das Gerät suchen (empfohlen)** auswählen und anschließend auf **Weiter** klicken.
- 10 Den weiteren Bildschirmweisungen folgen, um die Installation abzuschließen.

Der Windows-Desktop wird angezeigt. Die Installation ist abgeschlossen.

Erstes Anschließen des Computers unter Windows NT 4.0

- 1 Den Computer an das Docking-Gerät anschließen und einschalten.
- 2 Entweder während der Startroutine die Taste <F2> drücken oder nach dem Systemstart die Tastenkombination <Fn><F1> drücken, um das System-Setup-Programm aufzurufen.
- 3 Die Option **Docking IRQ (Docking-IRQ)** auf **Optimized (Optimiert)** setzen.
- 4 Die Option **Universal Connect (Universalanschluss)** auf **Enabled (Aktiviert)** setzen.
- 5 Das System-Setup-Programm beenden.
- 6 Die Tastenkombination <Strg><Alt><Entf> drücken, um sich am System anzumelden.

Das Fenster **Docking Station Setup (Docking-Station einrichten)** wird angezeigt und weist Sie darauf hin, dass die Verbindung zwischen Computer und Docking-Gerät getrennt werden muss, um den Vorgang fortzusetzen.

- 7 Auf **OK** klicken und warten, bis der Computer ausgeschaltet ist.
- 8 Den Computer vom Docking-Gerät trennen (siehe „Trennen des Computers vom Docking-Gerät“).

Der Computer wird automatisch neu gestartet. Ist das nicht der Fall, den Computer einschalten.

- 9 Auf **Start** und anschließend auf **Herunterfahren** klicken.

- 10** Warten, bis der Computer vollständig ausgeschaltet ist. Danach den Computer erneut an das Docking-Gerät anschließen.
Der Computer wird automatisch neu gestartet. Ist das nicht der Fall, den Computer einschalten.
- 11** Die Tastenkombination <Strg><Alt><Entf> drücken, um sich am System anzumelden.
Neue Geräte werden automatisch vom Computer erkannt.
- 12** Nach entsprechender Aufforderung die Option **Install System Provided Driver for the Selected Device (Recommended) (Vom System für das ausgewählte Gerät bereitgestellten Treiber installieren [empfohlen])** auswählen und anschließend auf **OK** klicken.
- 13** Im Fenster **Windows NT-Setup** auf **Weiter** klicken.
- 14** Die Option **Vom System für das ausgewählte Gerät bereitgestellten Treiber installieren (empfohlen)** auswählen und anschließend auf **OK** klicken.
- 15** Den Namen Ihres Netzwerkschnittstellen-Kontrollers (NSK) im Listenfeld auswählen.
- 16** Festlegen, ob der Netzwerkadapter eine IP-Adresse vom Server erhält oder eine IP-Adresse angegeben wird.
Wenden Sie sich an Ihren Netzwerkadministrator, wenn Sie nicht wissen, welche Option Sie wählen sollen.
- 17** Den Anweisungen folgen, um die Installation abzuschließen.
Der Windows-Desktop wird angezeigt. Die Installation ist abgeschlossen.
Solange eine Verbindung zwischen Computer und Docking-Gerät besteht, kann der Festplatten-Suspendiermodus nicht aufgerufen werden.

Erstes Anschließen des Computers unter Windows 98

- 1** Den Computer an das Docking-Gerät anschließen und einschalten.
- 2** Entweder während der Startroutine die Taste <F2> drücken oder nach dem Systemstart die Tastenkombination <Fn><F1> drücken, um das System-Setup-Programm aufzurufen.
- 3** Die Option **Docking IRQ (Docking-IRQ)** auf **Optimized (Optimiert)** setzen.

- 4 Die Option **Universal Connect (Universalanschluss)** auf **Enabled (Aktiviert)** setzen.
- 5 Das System-Setup-Programm beenden.
Neue Hardware wird automatisch vom Computer erkannt.
- 6 Im Fenster **Konfiguration einrichten** auf **OK** klicken.
Der **Hardware-Assistent** wird angezeigt.
- 7 Auf **Weiter** klicken.
- 8 Die Option **Nach dem besten Treiber für das Gerät suchen (empfohlen)** auswählen und anschließend auf **Weiter** klicken.
- 9 Die Markierung aller Optionen aufheben und auf **Weiter** klicken.
Eine Meldung weist Sie darauf hin, dass Windows den besten Treiber für Ihr Gerät installieren wird.
- 10 Die Anweisungen im Fenster **Hardware-Assistent** befolgen.
- 11 Nach entsprechenden Aufforderungen jeweils die Option **Nach dem besten Treiber für das Gerät suchen (empfohlen)** auswählen und anschließend auf **Weiter** klicken.
- 12 Den weiteren Bildschirmanweisungen folgen, um die Installation abzuschließen.

Der Windows-Desktop wird angezeigt. Die Installation ist abgeschlossen.

Erstes Anschließen des Computers unter Windows 95

- 1 Den Computer an das Docking-Gerät anschließen und einschalten.
- 2 Entweder während der Startroutine die Taste <F2> drücken oder nach dem Systemstart die Tastenkombination <Fn><F1> drücken, um das System-Setup-Programm aufzurufen.
- 3 Die Option **Docking IRQ (Docking-IRQ)** auf **Optimized (Optimiert)** setzen.
- 4 Die Option **Universal Connect (Universalanschluss)** auf **Enabled (Aktiviert)** setzen.
- 5 Das System-Setup-Programm beenden.
Neue Hardware wird automatisch vom Computer erkannt.

- 6 Im Fenster **Geänderte Systemeinstellungen** auf die Schaltfläche **Ja** klicken.

Der Computer wird neu gestartet, und die neue Hardware wird automatisch erkannt.

- 7 Im Fenster **Netzwerk** auf **OK** klicken.

- 8 Im nächsten Fenster **Netzwerk** die Registerkarte **Identifikation** auswählen.

- 9 Entsprechende Angaben für **Computername** und **Arbeitsgruppe** vornehmen, über die der Computer im Netzwerk identifiziert wird, und auf **Schließen** klicken.

Wenden Sie sich an Ihren Netzwerkadministrator, wenn Sie nicht genau wissen, was Sie für **Computername** und **Arbeitsgruppe** angeben müssen.



HINWEIS: Sie müssen einen **Computernamen** und eine **Arbeitsgruppe** eingeben, um mit der Treiberinstallation fortfahren zu können.

Der Computer kopiert die Dateien automatisch und erstellt eine Datenbank mit den Treiberinformationen.

- 10 Im Fenster **Konfiguration einrichten** auf **OK** klicken.

- 11 Den Anweisungen folgen, um die Installation abzuschließen.

Der Windows-Desktop wird angezeigt. Die Installation ist abgeschlossen.



HINWEIS: Um die USB-Anschlüsse nutzen zu können, muss die USB-Zusatzsoftware installiert werden, die sich im Verzeichnis **Win95/OSUpdate** auf der *ResourceCD* befindet. Nach der Installation der USB-Zusatzsoftware kann der Ruhezustand nicht mehr aufgerufen werden. Dell empfiehlt daher, die USB-Zusatzsoftware nur zu installieren, wenn Sie USB-Geräte verwenden möchten.

Aktualisieren von Treibern unter Windows XP und Windows 2000

So aktualisieren Sie Treiber unter Windows XP und Windows 2000:

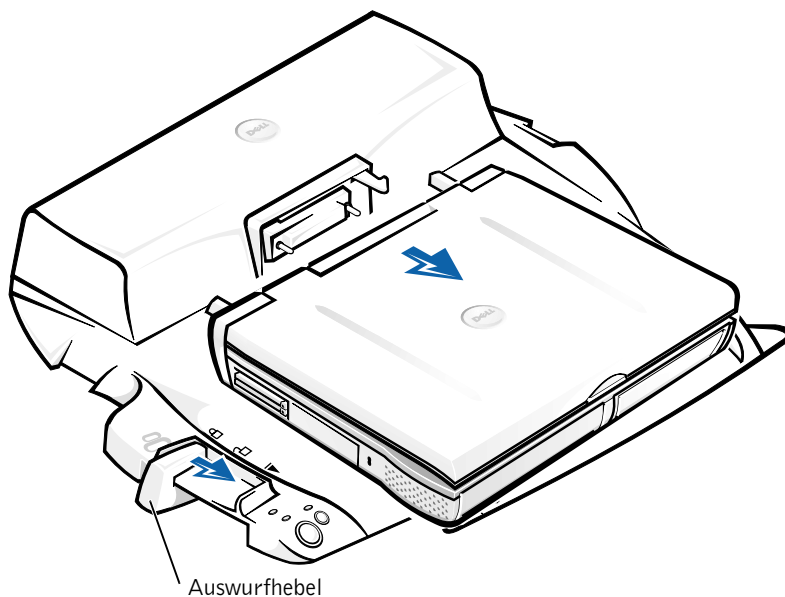
- 1 Mit der rechten Maustaste auf **Arbeitsplatz** klicken und **Verwalten** auswählen. (Unter Windows XP auf die Schaltfläche **Start** klicken, um **Arbeitsplatz** zu öffnen. Unter Windows 2000 finden Sie das Symbol **Arbeitsplatz** auf dem Windows-Desktop.)
- 2 Im Fenster **Computerverwaltung** auf **Geräte-Manager** klicken und anschließend auf **Netzwerkadapter** doppelklicken.
- 3 Auf die Option **3Com 3C920 Integrierter Fast-Ethernet-Controller** doppelklicken.
- 4 Auf die Registerkarte **Treiber** klicken.
- 5 Auf **Treiber aktualisieren...** klicken und den Bildschirmanweisungen folgen.

Aktualisieren von Treibern unter Windows Me

So aktualisieren Sie Treiber unter Windows Me:

- 1 Auf dem Windows-Desktop mit der rechten Maustaste auf **Arbeitsplatz** und anschließend auf **Eigenschaften** klicken.
- 2 Im Fenster **Systemeigenschaften** auf die Registerkarte **Geräte-Manager** und anschließend auf **Netzwerkadapter** doppelklicken.
- 3 Auf die Option **3Com 3C920 Integrierter Fast-Ethernet-Controller** doppelklicken.
- 4 Auf die Registerkarte **Treiber** klicken.
- 5 Auf **Treiber aktualisieren...** klicken und den Bildschirmanweisungen folgen.

Trennen des Computers vom Docking-Gerät



- ➔ **VORSICHT:** Wenn der Computer nicht über eine Batterie versorgt wird, wird er nach dem Trennen vom Docking-Gerät automatisch abgeschaltet. Nicht gespeicherte Daten gehen dabei verloren.
- ➔ **VORSICHT:** Führen Sie immer erst die vorbereitenden Schritte durch, bevor Sie den Computer vom Docking-Gerät trennen. Andernfalls gehen Daten verloren, und es ist möglich, dass der normale Computerbetrieb – wenn überhaupt – erst wieder nach einigen Minuten aufgenommen werden kann.

Sie haben folgende Möglichkeiten, den Computer auf den Trennvorgang vorzubereiten:

- Sie drücken die Tastenkombination <Fn><Esc> auf der Computertastatur (oder <Rollen><Esc> auf einer externen Tastatur).

Warten Sie einige Sekunden, bis die Stromanzeige des Computers nicht mehr leuchtet.

- *Sie klicken unter Windows XP auf die Schaltfläche **Start** und anschließend auf **Undock Computer (Verbindung zum Docking-Gerät trennen)**.*

*Sie klicken unter Windows 95, Windows 98, Windows Me oder Windows 2000 auf die Schaltfläche **Start** und anschließend auf **Eject PC (PC auswerfen)**.*

*Sie klicken unter Windows NT auf das Docking-Symbol in der Taskleiste und anschließend auf **Undock (Trennen)**, um den Suspendiermodus aufzurufen.*

Warten Sie einige Sekunden, bis die Stromanzeige des Computers nicht mehr leuchtet.

- Sie drücken die Trennanforderungstaste an der Docking-Plattform (siehe Abbildung „Bedienelemente und Anzeigen des Docking-Gerätes“). Warten Sie, bis die grüne Docking-Anzeige nicht mehr leuchtet.

Sichern des C/Port II APR

Sicherheitsfunktionen

Das Docking-Gerät besitzt folgende Sicherheitsfunktionen:

- Einen Auswurfhebel, mit dem Sie den Computer sichern und auswerfen können. In der hinteren Position ist der Computer am C/Port II APR gesichert. In der mittleren Position kann das Docking-Gerät verwendet werden, ohne dass der Computer gesichert ist. In der vorderen Position wird der Computer aus dem Docking-Gerät ausgeworfen. Schieben Sie den Auswurfhebel nach hinten, um das Vorhängeschloss und den Einschub für das Sicherheitsschloss verwenden zu können.
- Eine gefederte Klinke an der Vorderseite der Plattform, die in den Sicherungseinschub auf der Unterseite des Computers greift, sichert den Computer an der Docking-Plattform. Nicht alle Computer von Dell verfügen über einen Sicherungseinschub.
- Eine gesicherte Auswurf Taste für den Medienschacht, die das Entfernen von Geräten aus dem Schacht verhindert.
- Eine Feststellklinke, die unerlaubtes Entfernen des Computers verhindert.

Sichern des C/Port II APR

Sie haben folgende Möglichkeiten, um das Docking-Gerät zu sichern:

- Sichern Sie das Docking-Gerät über ein Vorhängeschloss oder über ein Vorhängeschloss und zusätzlich mit einem Sicherungskabel und dem Einschub (siehe „Bedienelemente und Anzeigen des Docking-Gerätes“).

Das Vorhängeschloss allein blockiert den Auswurfhebel und erschwert so das Trennen des Computers vom Docking-Gerät.

Ein Sicherungskabel, das um einen unverrückbaren Gegenstand gelegt wird, zusammen mit einem Vorhängeschloss verhindert unerlaubtes Entfernen des Computers und des C/Port II APR.

- Bringen Sie eine handelsübliche Diebstahlschutzvorrichtung am Einschub für das Sicherungsschloss des Docking-Gerätes an (siehe „Bedienelemente und Anzeigen des Docking-Gerätes“).

Diebstahlschutzvorrichtungen bestehen im Allgemeinen aus einem Metallkabel und einem daran befestigten Schloss mit dazugehörigem Schlüssel. Dell empfiehlt die Verwendung eines Kensington-Schlusses. Anweisungen zur Installation dieser Diebstahlschutzvorrichtung finden Sie in der Dokumentation, die mit der Vorrichtung geliefert wurde.

Dell-Diagnoseprogramm

Zum Dell-Diagnoseprogramm, das mit Ihrem Latitude-Computer von Dell geliefert wurde, gehören Tests, die bei der Lösung von Problemen mit den Controllern des Docking-Gerätes hilfreich sind.

Die Untertests in der Testgruppe **Network Interface (Netzwerkschnittstelle)** des Dell-Diagnoseprogramms prüfen die grundlegende Funktion des Netzwerkcontrollers im Docking-Gerät. Dabei werden die internen Funktionen des Controllers, z. B. Schreib-/Lesezugriff auf die Register sowie die internen Sende- und Empfangsfunktionen (Schleifen-test), getestet.

Die Untertests in der Testgruppe **Serial/Infrared Ports (Serielle/Infrarotschnittstelle)** überprüfen die Schnittstelle des Docking-Gerätes zu externen Geräten, z. B. einer seriellen Maus oder einem Drucker. Die Untertests dieser Testgruppe sind nicht als Diagnostetests für das externe Gerät selbst gedacht.

Die Untertests in der Testgruppe **USB** überprüfen die USB-Schnittstelle des Docking-Gerätes zu externen Geräten, z. B. einer Maus. Die Untertests dieser Testgruppe sind nicht als Diagnosetests für das externe Gerät selbst gedacht.

Vollständige Anweisungen zur Verwendung des Dell-Diagnoseprogramms finden Sie im *Benutzerhandbuch* des Computers.

Technische Daten

Technische Daten

Maße und Gewicht

Höhe:

Mit Bildschirmträger 10,2 cm

Ohne Bildschirmträger 5,8 cm

Tiefe:

Mit Bildschirmträger 39,0 cm

Ohne Bildschirmträger 35,8 cm

Breite:

Mit Bildschirmträger 40,9 cm

Ohne Bildschirmträger 37,5 cm

Gewicht:

Mit Bildschirmträger 3,0 kg

Ohne Bildschirmträger 1,6 kg

Stromversorgung

Netzadapter:

Spannung 100–200 V Wechselspannung, 50–60 Hz

Stromstärke 1,5 A

C/Port II APR:

Spannung 20 V Gleichspannung vom Netzadapter erforderlich

Stromstärke 3,5 A

Technische Daten

E/A

Seriell (DTE)	16550-kompatibler Anschluss mit 16 Bytes Puffer
Parallel	unidirektionaler, bidirektionaler oder ECP-Anschluss
PS/2	zwei Mini-DIN-Anschlüsse
USB	zwei USB-kompatible Anschlüsse
Infrarot	mit dem IrDA-Standard 1.1 (Fast IR) und 1.0 kompatibler Infrarotsensor
Audioausgang	Audiobuchse (für optionale Kopfhörer)
Monitor	ein Anschluss
Netzwerk	ein RJ-45-Anschluss
Docking-Anschluss (zum Anschließen des Computers)	ein Anschluss

Ethernet-Netzwerkcontroller

Chipsatz	3Com® 3C920; 10/100 BASE-TX (PC99-konform)
Datenbusbreite	32-Bit-PCI-Host-Busschnittstelle
IRQ	IRQ10

Sicherheitshinweise und EMV-Richtlinien: Tragbare Computer

Im Folgenden wird die Bedeutung der *zusätzlichen* Symbole erklärt, die *nur* in den Sicherheitshinweisen und EMV-Richtlinien (Elektromagnetische Verträglichkeit) verwendet werden.



Explosionsgefahr



Flugzeug



Brandgefahr



Die Verwendung dieser Funktion ist möglicherweise in Flugzeugen nicht gestattet.



Stromschlaggefahr



Sicherheitshinweise

Allgemein

- Stellen Sie den APR auf einer ebenen Fläche ab, um damit zu arbeiten.
- Wartungsarbeiten dürfen nur von qualifizierten Servicetechnikern vorgenommen werden. Beachten Sie alle Installationsanweisungen stets genau.
- Wenn Sie ein Verlängerungskabel an den Netzadapter anschließen, stellen Sie sicher, dass der Nennstrom aller an das Verlängerungskabel angeschlossenen Geräte nicht größer ist als der zulässige Nennstrom des Verlängerungskabels.



- Schieben Sie keine Gegenstände in die Lüftungsschlitze oder Öffnungen des Computers. Dies kann zu einem Kurzschluss der internen Komponenten führen und folglich einen Brand oder einen Stromschlag verursachen.



- Wenn der Netzadapter für die Stromversorgung des Computers oder zum Aufladen der Batterie verwendet wird, sollte er sich in einem gut belüfteten Bereich befinden, z. B. auf einer Schreibtischoberfläche oder auf dem Boden. Achten Sie darauf, dass auf dem Netzadapter weder Papier noch Gegenstände liegen, die die Kühlung beeinträchtigen. Verwenden Sie den Netzadapter auch nicht in einer Tragetasche.



- Verwenden Sie den Computer nicht in einer feuchten Umgebung, z. B. in der Nähe einer Badewanne, eines Waschbeckens, eines Schwimmbeckens oder in einem feuchten Keller.



- Um das Risiko eines Stromschlages zu vermeiden, sollten Sie bei einem Gewitter weder Kabel anschließen oder abziehen noch eine Wartung oder Neukonfiguration des Gerätes vornehmen. Verwenden Sie den Computer nicht während eines Gewitters, es sei denn, der Computer wird mit Batteriestrom versorgt und ist nicht an das Stromnetz angeschlossen.
- Verwenden Sie nur den Netzadapter und die Batterien, die gemäß diesem Dokument für den APR zugelassen sind. Bei Verwendung anderer Batterien oder Netzadapter besteht Brand- oder Explosionsgefahr.
- Schalten Sie das Docking-Gerät vor dem Reinigen aus, und trennen Sie den Netzadapter von der Stromversorgung. Reinigen Sie das Docking-Gerät mit einem weichen Tuch, das mit Wasser befeuchtet wurde. Verwenden Sie keine flüssigen Reinigungsmittel oder Sprühreiniger, die eventuell entflammbare Stoffe enthalten.



Stromversorgung (Sicherheitshinweise)



- Verwenden Sie nur den von Dell gelieferten Netzadapter, der für diesen APR zugelassen ist. Andernfalls besteht Brand- oder Explosionsgefahr.
- Stellen Sie vor dem Anschluss des APR an eine Steckdose sicher, dass die Betriebsspannung des Netzadapters mit der Nennspannung und Frequenz der verfügbaren Stromquelle übereinstimmt.
- Um den Computer von der Stromversorgung zu trennen, schalten Sie ihn aus und trennen den Netzadapter von der Steckdose.



- Um Stromschläge zu vermeiden, sollten Sie die Netzkabel des Netzadapters und der Peripheriegeräte stets an ordnungsgemäß geerdete Stromquellen anschließen. Die Kabel sollten mit Schuko-Steckern ausgestattet sein, um einwandfreie Erdung zu gewährleisten. Verwenden Sie keine Adapterstecker. Entfernen Sie den Massekontakt des Netzkabels nicht. Verwenden Sie bei Bedarf nur geeignete Verlängerungskabel mit Schuko-Steckern, die zum Netzadapterkabel passen.
- Stellen Sie sicher, dass nichts auf dem Netzkabel des Netzadapters abgelegt wird und man weder auf das Kabel treten noch darüber stolpern kann.



- Gehen Sie beim Anschließen des Netzadapterkabels an eine Steckerleiste vorsichtig vor. In einige Steckerleisten können Stecker auch falsch eingesteckt werden. Dadurch könnte der Computer irreparabel beschädigt werden. Außerdem besteht Stromschlag- sowie Brandgefahr. Stellen Sie sicher, dass der Erdungskontakt am Netzstecker in den entsprechenden Kontakt der Steckerleiste eingesetzt ist.

Betriebsbestimmungen

Elektromagnetische Interferenz (EMI) ist ein Signal oder eine Emission, die in den freien Raum abgegeben bzw. entlang von Strom- oder Signalleitungen geleitet wird und den Betrieb der Funknavigation oder anderer Sicherheitsgeräte beeinträchtigt bzw. deren Qualität extrem verschlechtert, behindert oder wiederholt lizenzierte Funkdienste unterbricht. Funkdienste umfassen kommerziellen AM-/FM-Radio- und Fernsehgrundfunk, Funktelefondienste, Radar, Flugsicherung, Anrufmelder und Dienste für personenbezogene Kommunikation (PCS [Personal Communication Services]), sind jedoch nicht nur auf diese beschränkt. Diese lizenzierten Dienste sowie die unbeabsichtigte Abstrahlung durch andere Geräte (z. B. digitale Geräte wie Computeranlagen) tragen zum Aufbau elektromagnetischer Felder bei.

Unter elektromagnetischer Verträglichkeit (EMV) versteht man die Fähigkeit elektronischer Bauteile, in einer elektronischen Umgebung störungsfrei zu funktionieren. Dieses Computersystem wurde zwar so konzipiert, dass die seitens der Behörden festgelegten Grenzwerte für EMI nicht überschritten werden; dennoch kann nicht ausgeschlossen werden, dass bei bestimmten Installationen nicht doch Störungen auftreten. Wenn dieses Gerät die Funkkommunikation durch Interferenzen beeinträchtigt, was durch Ein- und Ausschalten des Gerätes festgestellt werden kann, wird der Benutzer aufgefordert, die Störungen durch eine oder mehrere der folgenden Maßnahmen zu beheben:

- Die Empfangsantenne neu ausrichten.
- Die Position des Computers gegenüber dem Empfänger ändern.
- Den Abstand zwischen Computer und Empfänger vergrößern.
- Den Computer an eine andere Steckdose anschließen, so dass Computer und Empfänger über verschiedene Stromkreise versorgt werden.

Wenden Sie sich gegebenenfalls an einen Mitarbeiter des technischen Supports von Dell oder an einen erfahrenen Radio- und Fernsehtechniker.

Computersysteme von Dell werden für die elektromagnetische Umgebung, in der sie eingesetzt werden sollen, konzipiert, getestet und klassifiziert.

Diese elektromagnetischen Klassifikationen beziehen sich im Allgemeinen auf die nachstehenden abgestimmten Definitionen:

- Klasse A ist für gewerbliche und industrielle Umgebungen vorgesehen.
- Klasse B ist für Wohnbereiche vorgesehen.

Geräte der Datenverarbeitung (ITE, Information Technology Equipment), dazu zählen u. a. Erweiterungskarten, Drucker, Ein- und Ausgabegeräte, Bildschirme usw., die in das System integriert oder an den Computer angeschlossen sind, sollten der EMI-Klassifikation des Computersystems entsprechen.

Hinweis zu abgeschirmten Signalkabeln: Verwenden Sie für den Anschluss von Geräten an Dell-Geräte ausschließlich abgeschirmte Kabel, um Störungen von Funkdiensten so weit wie möglich zu reduzieren. Durch abgeschirmte Kabel wird sichergestellt, dass die entsprechende EMV-Klassifikation für die vorgesehene Einsatzumgebung eingehalten wird. Ein Kabel für Drucker, die über die parallele Schnittstelle angeschlossen werden, erhalten Sie bei Dell. Sie können ein solches Kabel auch über die Website von Dell unter <http://accessories.us.dell.com/> bestellen.

Die meisten Dell-Computer sind für Umgebungen der Klasse B klassifiziert. Werden bestimmte Ausstattungsoptionen hinzugefügt, müssen einige Systeme allerdings möglicherweise der Klasse A zugerechnet werden. Informationen über die elektromagnetische Klassifikation Ihres Computers oder Gerätes finden Sie in den nachfolgenden Abschnitten zu den einzelnen Zulassungsbehörden. Die Abschnitte enthalten länderspezifische Informationen zu EMV/EMI oder zur Produktsicherheit.

CE-Hinweis (Europäische Union)

Die Kennzeichnung durch das Symbol **CE** bedeutet, dass dieser Dell-Computer die EMV-Richtlinie und die Niederspannungsrichtlinie der Europäischen Union erfüllt. Sie weist ferner darauf hin, dass das Dell-System die folgenden technischen Normen erfüllt:

- EN 55022 – „Einrichtungen der Informationstechnik – Funkstöreigenschaften – Grenzwerte und Messverfahren.“
- EN 55024 – „Einrichtungen der Informationstechnik – Störfestigkeitseigenschaften – Grenzwerte und Prüfverfahren.“

- EN 61000-3-2 – „Elektromagnetische Verträglichkeit (EMV) – Teil 3: Grenzwerte – Abschnitt 2: Grenzwerte für Stromberschwingungen (Eingangsspannung des Gerätes bis zu 16 A pro Phase).“
- EN 61000-3-3 – „Elektromagnetische Verträglichkeit (EMV) – Teil 3: Grenzwerte – Abschnitt 3: Grenzwerte für Spannungsschwankungen und Schwankungen in Niederspannungs-Versorgungssystemen für Geräte mit einem Nennstrom von bis zu 16 A.“
- EN 60950 – „Sicherheit von Einrichtungen der Informationstechnik.“



HINWEIS: EN 55022-Grenzwert-Anforderungen sehen zwei Klassifikationen vor:

- Klasse A ist für typisch gewerbliche Umgebungen vorgesehen.
- Klasse B ist für typisch häusliche Umgebungen vorgesehen.

Dieses Gerät von Dell ist für die Verwendung in einer typisch häuslichen Umgebung der Klasse B vorgesehen.

Eine „Konformitätserklärung“ in Übereinstimmung mit den oben angeführten Standards ist abgegeben worden und kann bei Dell Computer Corporation Products Europe BV, Limerick, Irland, eingesehen werden.

EN 55022-Konformität (nur Tschechische Republik)

Dieses Gerät entspricht Klasse B, wie in EN 55022 beschrieben, soweit es nicht ausdrücklich als Gerät der Klasse A auf dem Etikett mit den technischen Daten gekennzeichnet ist. Folgende Aussagen gelten für Geräte der Klasse A gemäß EN 55022 (Schutzradius bis zu 30 Meter). Der Benutzer des Gerätes ist verpflichtet, alle Maßnahmen zu ergreifen, die zur Beseitigung von Störungsquellen für Telekommunikationsgeräte oder andere Geräte erforderlich sind.

Pokud není na typovém štítku počítače uvedeno, že spadá do třídy A podle EN 55022, spadá automaticky do třídy B podle EN 55022. Pro zařízení zařazená do třídy A (ochranné pásmo 30m) podle EN 55022 platí následující. Dojde-li k rušení telekomunikačních nebo jiných zařízení, je uživatel povinen provést taková opatření, aby rušení odstranil.

Hinweis der polnischen Prüf- und Zulassungsstelle

Das Gerät muss über eine Steckdose mit integrierter Schutzschaltung (Steckdose mit drei Kontakten) gespeist werden. Alle Geräte, die zusammenwirken (Computer, Monitor, Drucker usw.), müssen dieselbe Stromversorgung nutzen.

Der Leiter der elektrischen Anlage des Raums muss eine Kurzschluss-sicherung in Form einer Schmelzsicherung mit einem Nennwert von nicht mehr als 16 Ampere (A) haben.

Um das Gerät vollständig abschalten zu können, muss das Netzkabel aus der Netzsteckdose gezogen werden. Die Netzsteckdose sollte sich in der Nähe des Gerätes befinden und leicht zugänglich sein.

Die Schutzmarke „B“ besagt, dass das Gerät die Schutzanforderungen der Normen PN-93/T-42107 und PN-EN 55022: 1996 erfüllt.

Wymagania Polskiego Centrum Badań i Certyfikacji

Urządzenie powinno być zasilane z gniazda z przyłączonym obwodem ochronnym (gniazdo z kołkiem). Współpracujące ze sobą urządzenia (komputer, monitor, drukarka) powinny być zasilane z tego samego źródła.

Instalacja elektryczna pomieszczenia powinna zawierać w przewodzie fazowym rezerwową ochronę przed zwarciami, w postaci bezpiecznika o wartości znamionowej nie większej niż 16A (amperów).

W celu całkowitego wyłączenia urządzenia z sieci zasilania, należy wyjąć wtyczkę kabla zasilającego z gniazdka, które powinno znajdować się w pobliżu urządzenia i być łatwo dostępne.

Znak bezpieczeństwa "B" potwierdza zgodność urządzenia z wymaganiami bezpieczeństwa użytkownika zawartymi w PN-93/T-42107 i PN-EN 55022:1996.

Jeżeli na tabliczce znamionowej umieszczono informację, że urządzenie jest klasy A, to oznacza to, że urządzenie w środowisku mieszkalnym może powodować zakłócenia radioelektryczne. W takich przypadkach można żądać od jego użytkownika zastosowania odpowiednich środków zaradczych.

Pozostałe instrukcje bezpieczeństwa

- Nie należy używać wtyczek adapterowych lub usuwać kołka obwodu ochronnego z wtyczki. Jeżeli konieczne jest użycie przedłużacza to należy użyć przedłużacza 3-żyłowego z prawidłowo połączonym przewodem ochronnym.
- System komputerowy należy zabezpieczyć przed nagłymi, chwilowymi wzrostami lub spadkami napięcia, używając eliminatora przepięć, urządzenia dopasowującego lub bezzakłócenowego źródła zasilania.
- Należy upewnić się, aby nic nie leżało na kablach systemu komputerowego, oraz aby kable nie były umieszczone w miejscu, gdzie można byłoby na nie nadeptywać lub potykać się o nie.
- Nie należy rozlewać napojów ani innych płynów na system komputerowy.
- Nie należy wpychać żadnych przedmiotów do otworów systemu komputerowego, gdyż może to spowodować pożar lub porażenie prądem, poprzez zwarcie elementów wewnętrznych.
- System komputerowy powinien znajdować się z dala od grzejników i źródeł ciepła. Ponadto, nie należy blokować otworów wentylacyjnych. Należy unikać kładzenia luźnych papierów pod komputer oraz umieszczania komputera w ciasnym miejscu bez możliwości cyrkulacji powietrza wokół niego.

CE-Hinweis

Dieses Gerät entspricht den Anforderungen der europäischen Richtlinie 1999/5/EG.

APR C/Port II per Dell™ Latitude™

Informazioni di sistema

Note, avvisi e messaggi di attenzione



NOTA: una NOTA evidenzia informazioni importanti per un uso ottimale del computer.



AVVISO: un AVVISO può indicare un potenziale danno a livello di hardware o una perdita di dati e consiglia come evitare il problema.



ATTENZIONE: un messaggio di **ATTENZIONE** indica un rischio di danni alla proprietà, lesioni personali o morte.

Le informazioni contenute nel presente documento sono soggette a modifiche senza preavviso.

© 2001 Dell Computer Corporation. Tutti i diritti riservati.

È severamente vietata la riproduzione, con qualsiasi strumento, senza l'autorizzazione scritta di Dell Computer Corporation.

Marchi di fabbrica usati nel presente documento: *Dell*, il logo *DELL*, *Latitude* e *DellWare* sono marchi di fabbrica di Dell Computer Corporation; *3Com* è un marchio depositato di 3Com Corporation; *Microsoft*, *Windows* e *Windows NT* sono marchi depositati di Microsoft Corporation.

Altri marchi di fabbrica e nomi commerciali possono essere utilizzati in questo documento sia in riferimento alle aziende che rivendicano il marchio e i nomi che ai prodotti stessi. Dell Computer Corporation nega qualsiasi partecipazione di proprietà relativa a marchi di fabbrica e nomi commerciali diversi da quelli di sua proprietà.

Questo prodotto incorpora una tecnologia di protezione del copyright protetta da determinati brevetti statunitensi e da altri diritti di proprietà intellettuale di Macrovision Corporation e di altri soggetti detentori di diritti. L'uso di tale tecnologia deve essere autorizzato da Macrovision Corporation ed è previsto in ambito privato e per altri scopi limitati, salvo diversa autorizzazione da parte di Macrovision Corporation. È vietato decodificare o disassemblare il prodotto.

Informazioni di sistema

Il presente documento contiene informazioni introduttive, sulla sicurezza, sulle normative e sulla garanzia relative al replicatore di porta avanzato (APR) C/Port II per i sistemi Dell Latitude. Contiene inoltre informazioni riguardanti altri documenti Dell disponibili e il relativo reperimento.

Altri documenti disponibili

- Aggiornamenti della documentazione che descrivono modifiche effettuate al software o alla periferica di alloggiamento. Leggere sempre tali aggiornamenti *prima* di consultare qualsiasi tipo di documentazione, poiché essi spesso contengono le informazioni più recenti.
- Documentazione fornita con eventuali dispositivi opzionali acquistati separatamente. Questa documentazione contiene le informazioni necessarie per configurare e installare i dispositivi opzionali sulla periferica di alloggiamento.

Assistenza

Dell fornisce una serie di strumenti per assistere l'utente se la periferica di alloggiamento non funziona nel modo previsto. Per ottenere informazioni su tali strumenti, vedere la sezione "Assistenza" della *Guida dell'utente* in linea.

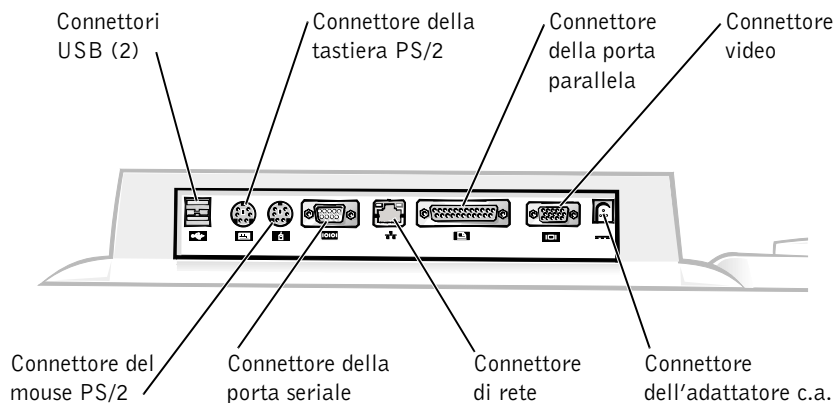
Introduzione alla periferica di alloggiamento

NOTA: avvertire l'amministratore di rete prima di collegare la periferica di alloggiamento a una rete.

È necessario collegare l'adattatore c.a. alla periferica di alloggiamento prima di inserire il computer nell'alloggiamento di espansione e accenderlo. L'adattatore c.a. alimenta sia la periferica di alloggiamento che il computer. Eventuali batterie installate nel computer si ricaricano durante l'uso della periferica di alloggiamento.








AVVISO: usare esclusivamente l'adattatore c.a. Dell PA-6 fornito con la periferica di alloggiamento. L'uso di un adattatore c.a. diverso disponibile in commercio oppure fornito con modelli di computer Dell precedenti potrebbe danneggiare la periferica di alloggiamento o il computer.

Pannello di I/O della periferica di alloggiamento

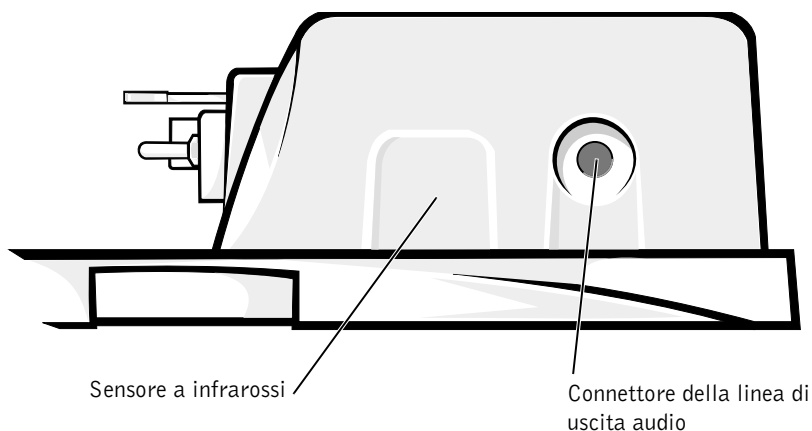


Nella tabella “Connettori di I/O esterni” sono elencate le icone corrispondenti a ogni connettore sul retro dell'APR e il tipo di periferiche esterne che è possibile collegare a ciascun connettore.

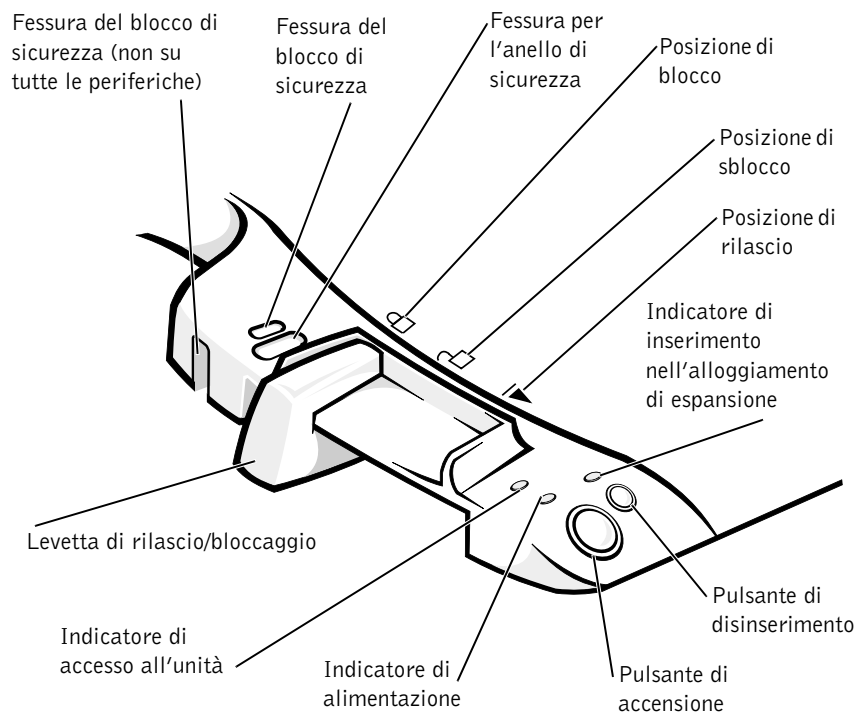
Connettori di I/O esterni

Icona del connettore	Descrizione del connettore
	Il connettore USB doppio consente di collegare una o due periferiche USB, ad esempio un mouse USB.
	Il connettore della tastiera PS/2 consente di collegare una tastiera compatibile PS/2 esterna o un tastierino numerico esterno.
	Il connettore del mouse PS/2 consente di collegare un mouse compatibile PS/2 esterno.
IOIOI	Il connettore della porta seriale consente di collegare una periferica seriale, ad esempio un mouse seriale o un modem esterno.
	Il connettore NIC consente di collegare un cavo di interfaccia di rete.
	Il connettore della porta parallela consente di collegare una periferica parallela, quale una stampante.
	Il connettore video consente di collegare un monitor esterno.
	Il connettore dell'adattatore c.a. consente di collegare l'adattatore c.a. fornito con il replicatore di porta.

Connettori audio e sensore a infrarossi



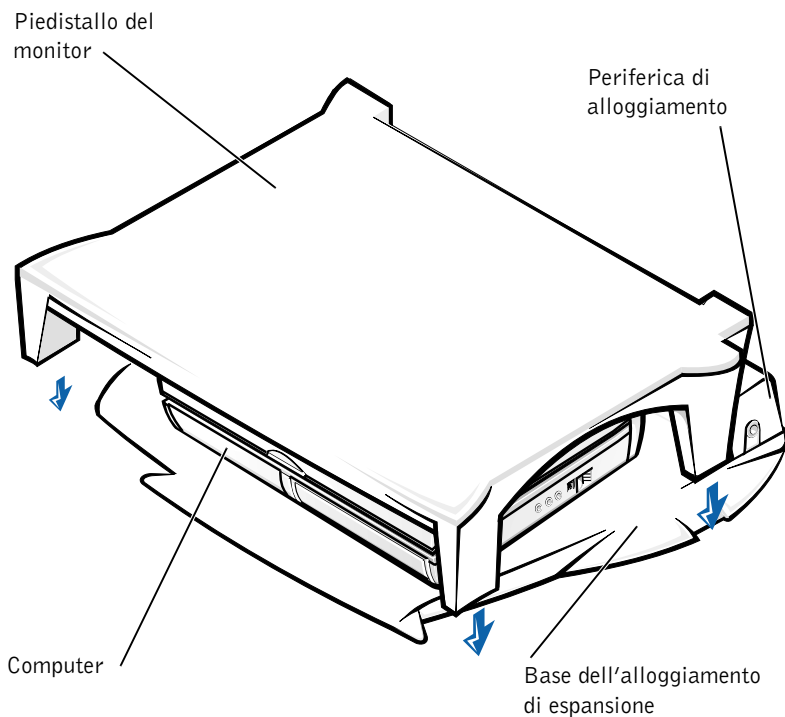
Controlli e indicatori della base dell'alloggiamento di espansione



Piedistallo del monitor

- ➔ **AVVISO:** il piedistallo è progettato per sostenere monitor del peso massimo di 45,3 kg (100 libbre [lb]). Monitor più pesanti potrebbero danneggiare il piedistallo, il computer e la periferica di alloggiamento.

Periferica di alloggiamento con il piedistallo del monitor



- 🔍 **NOTA:** accertarsi che i sostegni posteriori del piedistallo del monitor si inseriscano nelle fessure presenti su entrambi i lati della base dell'alloggiamento di espansione.

Operazioni preliminari per l'inserimento del computer nell'alloggiamento di espansione

Se sul computer è in esecuzione il sistema operativo Microsoft® Windows® 9x, Windows NT® o Windows Millennium (Me), è necessario innanzitutto verificare se sono presenti i driver dell'alloggiamento di espansione. Se i driver non sono installati, installarli prima di inserire il computer nell'alloggiamento di espansione per la prima volta. Per installare i driver dell'alloggiamento di espansione, seguire la procedura descritta in "Installazione dei driver dell'alloggiamento di espansione".



NOTA: se sul computer è in esecuzione il sistema operativo Windows XP o Windows 2000, i driver vengono installati automaticamente e non è necessario eseguire la procedura descritta in "Installazione dei driver dell'alloggiamento di espansione". Passare alla sezione "Inserimento del computer nell'alloggiamento di espansione".

Verifica della presenza dei driver dell'alloggiamento di espansione

- 1 Fare doppio clic su **Risorse del computer**.
- 2 Fare doppio clic su **Pannello di controllo**.
- 3 Fare doppio clic sull'icona **Installazione applicazioni**.
- 4 Individuare i driver dell'alloggiamento di espansione corretti nell'elenco dei programmi installati.

*In Windows 9x e Windows Me, verificare la presenza di un driver il cui nome contenga le parole **Quick Install**, ad esempio Dell Dock **Quick Install for Windows**.*

*In Windows NT, verificare la presenza di **NT Softex Docking Services**.*

Se sul computer non è installato alcun driver dell'alloggiamento di espansione, passare alla sezione successiva "Installazione dei driver dell'alloggiamento di espansione". Se viceversa i driver sono installati, passare alla sezione "Inserimento del computer nell'alloggiamento di espansione".

Installazione dei driver dell'alloggiamento di espansione

È possibile installare i driver dell'alloggiamento di espansione in uno dei seguenti modi.

- Installare i driver dal CD *ResourceCD* o dal CD *Drivers and Utilities* fornito con il computer o la periferica di alloggiamento.
- Scaricare i driver dal sito Web del supporto tecnico di Dell.

Installazione dei driver dal CD *ResourceCD* o dal CD *Drivers and Utilities*

- 1 Inserire il CD *ResourceCD* o il CD *Drivers and Utilities* nell'unità CD.

Nella maggior parte dei casi, il CD dovrebbe venire eseguito automaticamente. In caso contrario, aprire Esplora risorse di Windows, fare clic sulla cartella dell'unità CD per visualizzare il contenuto del CD, quindi fare doppio clic sul file **autorcd**. Nella schermata di benvenuto fare clic su **Avanti**. Quando si esegue il CD per la prima volta è possibile che venga richiesto di installare alcuni file di configurazione. Per continuare, fare clic su **OK** e seguire le istruzioni visualizzate.

- 2 Dalla casella di riepilogo a discesa **Lingua** sulla barra degli strumenti, selezionare la lingua da usare (se disponibile) per il driver.

Verrà visualizzata la finestra di benvenuto.

- 3 Fare clic su **Avanti**.

- 4 Nell'area **Criteri di ricerca** selezionare le categorie appropriate dalle caselle di riepilogo a discesa **Modello del sistema** e **Sistema operativo**.

Se sul computer è in esecuzione Windows 9x o Windows Me, selezionare la voce **Utilità di sistema** dalla casella di riepilogo a discesa **Tipo di periferica**, quindi selezionare **Driver** dalla casella di riepilogo a discesa **Argomento**.

Se sul computer è in esecuzione Windows NT, selezionare la voce **Utilità di sistema** dalla casella di riepilogo a discesa **Tipo di periferica**, quindi selezionare **Utilità** dalla casella di riepilogo a discesa **Argomento**.

Verrà visualizzato uno o più collegamenti alle utilità o ai driver specifici usati dal computer.

- 5 Se sul computer è in esecuzione Windows 9x o Windows Me, fare clic sul collegamento dell'utilità **Dell Dock QuickInstall**.

Il file **Dell Dock QuickInstall** è un'utilità che installa sul computer i driver dell'alloggiamento di espansione necessari.

Se sul computer è in esecuzione Windows NT, fare clic sul collegamento **Softex Docking Services**.

- 6 Fare clic sul pulsante **Installa** per avviare l'installazione automatica. Dalla schermata di benvenuto, seguire le istruzioni visualizzate per completare l'installazione.



NOTA: in alcuni CD ResourceCD potrebbe essere necessario effettuare più passaggi all'interno della struttura di cartelle per individuare il driver corretto. Per informazioni complete sulla reinstallazione dei driver, vedere la *Guida dell'utente*.

Installazione dei driver dal sito Web del supporto tecnico di Dell

- 1 Accedere al sito Web del supporto tecnico di Dell all'indirizzo <http://support.dell.com>. Se è la prima volta che si visita il sito, specificare il proprio paese facendo clic sulla cartina visualizzata.

Verrà aperta la pagina di benvenuto al sito support.dell.com.

- 2 Immettere le informazioni relative alla periferica di alloggiamento, quindi fare clic su **Go!** (vai).

Fare clic su **Downloads For Your Dell** (file scaricabili per il computer).

Verrà visualizzata la finestra **Downloads For Your Dell** con un breve modulo da compilare.

- 3 Immettere il numero di servizio del sistema o selezionare il sistema Dell.
- 4 Selezionare il sistema operativo in uso e la relativa lingua.
- 5 Selezionare **System and Configuration Utilities** (utilità di sistema e di configurazione) come categoria per i file da scaricare.
- 6 Fare clic su **Go!** (vai).

- 7 Se sul computer è in esecuzione Windows 9x o Windows Me, individuare l'utilità **Dell Dock QuickInstall** e fare clic sul collegamento.

*Se sul computer è in esecuzione Windows NT, individuare **Softex Docking Services** e fare clic sul collegamento.*

- 8 Seguire le istruzioni visualizzate per scaricare e installare il driver richiesti.
- 9 Dopo avere scaricato i file e prima di installare i driver, leggere attentamente il file **readme.txt** incluso tra i file scaricati, poiché contiene informazioni importanti sull'installazione.

Inserimento del computer nell'alloggiamento di espansione

Se si collega un monitor alla periferica di alloggiamento e lo si accende, l'immagine apparirà sul monitor. Per passare l'immagine sullo schermo del computer, o sul monitor e sullo schermo contemporaneamente, premere <Fn><F8>.

Quando si inserisce il computer nell'alloggiamento di espansione e lo si accende, l'indicatore di alimentazione verde sulla base dell'alloggiamento di espansione si accende (vedere la figura "Controlli e indicatori della base dell'alloggiamento di espansione").

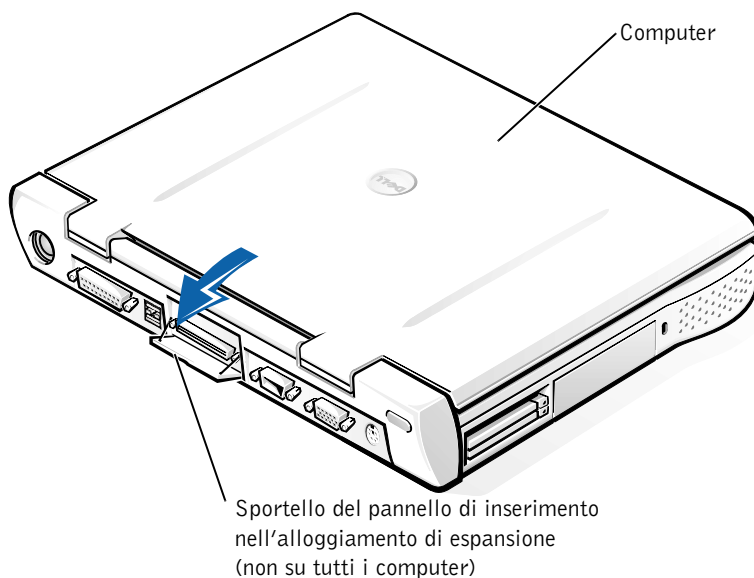
➔ **AVVISO:** per evitare la perdita di dati, salvare tutti i file aperti prima di inserire il computer nell'alloggiamento di espansione.

- 1 Salvare tutti i file, chiudere i programmi in esecuzione, uscire dal sistema operativo e spegnere il computer.

➔ **AVVISO:** per evitare danni al connettore di inserimento della periferica di alloggiamento, aprire lo sportello del pannello di inserimento nell'alloggiamento di espansione sul computer prima di inserire il portatile nella periferica.

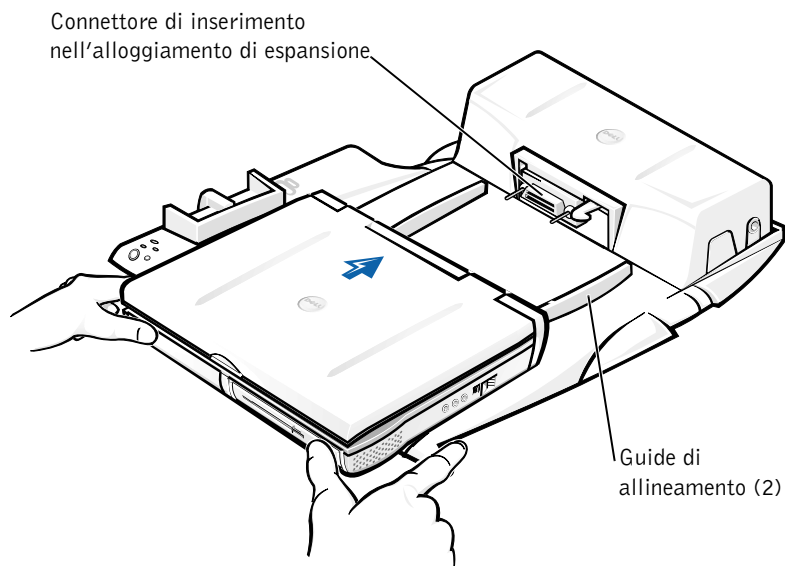
- 2 Se il computer è dotato di uno sportello del pannello di inserimento nell'alloggiamento di espansione sul retro, aprirlo.

Sportello del pannello di inserimento nell'alloggiamento di espansione sul computer



- 3 Se sulla periferica di alloggiamento è montato il piedistallo del monitor, chiudere lo schermo del computer.
- 4 Assicurarsi che la levetta di rilascio/bloccaggio sia nella posizione di sblocco.
- 5 Inserire il computer nell'alloggiamento di espansione come descritto di seguito.

Inserimento del computer nell'alloggiamento di espansione



- a Centrare orizzontalmente il computer sulla piattaforma dell'APR, con il retro del computer rivolto verso il connettore di inserimento della periferica di alloggiamento, come illustrato nella figura "Inserimento del computer nell'alloggiamento di espansione".
- b Spingere il computer verso il connettore fino a quando le scanalature sul fondo del computer si inseriscono nelle guide di allineamento.

➔ **AVVISO:** l'inserimento completo del computer nell'APR senza agganciare le guide di allineamento può danneggiare in modo irreparabile il connettore di inserimento nell'alloggiamento di espansione sul computer.

➔ **AVVISO:** non sollevare il computer o la periferica di alloggiamento separatamente quando sono collegati, in quanto si potrebbero danneggiare i connettori sul computer e sulla periferica di alloggiamento.

➔ **AVVISO:** se si sta usando un monitor con il relativo piedistallo, togliere il monitor dal piedistallo prima di spostare la base dell'alloggiamento di espansione.

- c Spingere delicatamente il computer in avanti fino a quando il connettore di inserimento nell'alloggiamento di espansione è completamente inserito.

Primo inserimento del computer nell'alloggiamento di espansione con Windows XP e Windows 2000

- 1 Inserire il computer nell'alloggiamento di espansione e accenderlo.
- 2 Premere <F2> durante la procedura di avvio del sistema per accedere al programma di configurazione del sistema.
- 3 Impostare **Docking IRQ** (IRQ della periferica di espansione) su **Optimized** (ottimizzato).
- 4 Impostare **Universal Connect** (connessione universale) su **Enabled** (attivata).
- 5 Uscire dal programma di configurazione del sistema.

Il computer riprenderà la procedura di avvio del sistema.

In Windows 2000, verrà visualizzata la finestra **Installazione guidata Nuovo hardware**.



NOTA: *se sul computer è in esecuzione Windows XP, l'installazione dei driver viene eseguita automaticamente dal sistema operativo. Se sul computer è in esecuzione Windows 2000, l'installazione dei driver viene eseguita automaticamente da Installazione guidata Nuovo hardware.*

Primo inserimento del computer nell'alloggiamento di espansione con Windows Me

- 1 Inserire il computer nell'alloggiamento di espansione e accenderlo.
- 2 Premere <F2> durante la procedura di avvio del sistema per accedere al programma di configurazione del sistema.
- 3 Impostare **Docking IRQ** (IRQ della periferica di espansione) su **Optimized** (ottimizzato).
- 4 Impostare **Universal Connect** (connessione universale) su **Enabled** (attivata).
- 5 Uscire dal programma di configurazione del sistema.

Il computer riprenderà la procedura di avvio del sistema.

Verrà visualizzata la finestra **Installazione guidata Nuovo hardware**.

- 6 Selezionare **Cerca il miglior driver per la periferica (scelta consigliata)**, quindi fare clic su **Avanti**.

- 7 Fare clic su **Avanti**.
- 8 Seguire le istruzioni visualizzate nell'**Installazione guidata Nuovo hardware**.
- 9 Quando richiesto, selezionare **Cerca il miglior driver per la periferica (scelta consigliata)**, quindi fare clic su **Avanti**.
- 10 Continuare a seguire le istruzioni visualizzate per completare l'installazione.

Al termine dell'installazione verrà visualizzato il desktop di Windows.

Primo inserimento del computer nell'alloggiamento di espansione con Windows NT 4.0

- 1 Inserire il computer nell'alloggiamento di espansione e accenderlo.
- 2 Premere <F2> durante la procedura di avvio del sistema o premere <Fn><F1> dopo l'avvio del computer per accedere al programma di configurazione del sistema.
- 3 Impostare **Docking IRQ** (IRQ della periferica di espansione) su **Optimized** (ottimizzato).
- 4 Impostare **Universal Connect** (connessione universale) su **Enabled** (attivata).
- 5 Uscire dal programma di configurazione del sistema.
- 6 Premere <Ctrl> <Alt> <Canc> per accedere al sistema.

Verrà visualizzata la finestra **Docking Station Setup** (configurazione della stazione di alloggiamento di espansione) con un messaggio che indica che è necessario disinserire il computer dall'alloggiamento di espansione per continuare.

- 7 Fare clic su **OK** e attendere lo spegnimento del computer.
- 8 Disinserire il computer dall'alloggiamento di espansione (consultare la sezione "Disinserimento del computer dall'alloggiamento di espansione").

Il computer si riavvierà automaticamente. Se il computer non si riavvia, accenderlo.

- 9 Fare clic sul pulsante **Start** e scegliere **Chiudi sessione**.

- 10** Attendere che il computer si spenga completamente e inserirlo nuovamente nell'alloggiamento di espansione.
Il computer si riavvierà automaticamente. Se il computer non si riavvia, accenderlo.
- 11** Premere <Ctrl><Alt><Canc> per accedere al sistema.
Il computer rileverà automaticamente le nuove periferiche.
- 12** Quando richiesto, selezionare **Install system provided driver for the selected device (recommended)** (installare il driver fornito dal sistema per la periferica selezionata [scelta consigliata]) e fare clic su **OK**.
- 13** Fare clic su **Continua** nella finestra **Installazione di Windows NT**.
- 14** Selezionare **Install system provided driver for the selected device (recommended)** (installare il driver fornito dal sistema per la periferica selezionata [scelta consigliata]) e fare clic su **OK**.
- 15** Selezionare il nome del controllore di interfaccia di rete (NIC) dalla casella di riepilogo a discesa.
- 16** Indicare se l'adattatore di rete deve ottenere un indirizzo IP da un server o se è specificato un indirizzo IP.
Se si hanno dubbi sull'opzione da selezionare, rivolgersi all'amministratore di sistema.
- 17** Seguire le istruzioni visualizzate per completare l'installazione.

Al termine dell'installazione verrà visualizzato il desktop di Windows.

Non è possibile attivare la modalità sospensione e salvataggio su disco mentre il computer è inserito nell'alloggiamento di espansione.

Primo inserimento del computer nell'alloggiamento di espansione con Windows 98

- 1** Inserire il computer nell'alloggiamento di espansione e accenderlo.
- 2** Premere <F2> durante la procedura di avvio del sistema o premere <Fn><F1> dopo l'avvio del computer per accedere al programma di configurazione del sistema.
- 3** Impostare **Docking IRQ** (IRQ della periferica di espansione) su **Optimized** (ottimizzato).

- 4 Impostare **Universal Connect** (connessione universale) su **Enabled** (attivata).
- 5 Uscire dal programma di configurazione del sistema.
Il computer rileverà il nuovo hardware.
- 6 Fare clic su **OK** nella finestra **Impostazioni di configurazione**.
Verrà visualizzata la finestra **Installazione guidata Nuovo hardware**.
- 7 Fare clic su **Avanti**.
- 8 Selezionare **Cerca il miglior driver per la periferica (scelta consigliata)**, quindi fare clic su **Avanti**.
- 9 Rimuovere il segno di spunta accanto a tutte le opzioni, quindi fare clic su **Avanti**.
Verrà visualizzata una finestra per informare che Windows è pronto per installare il miglior driver per la periferica.
- 10 Seguire le istruzioni visualizzate nell'**Installazione guidata Nuovo hardware**.
- 11 Quando richiesto, selezionare **Cerca il miglior driver per la periferica (scelta consigliata)**, quindi fare clic su **Avanti**.
- 12 Continuare a seguire le istruzioni visualizzate per completare l'installazione.

Al termine dell'installazione verrà visualizzato il desktop di Windows.

Primo inserimento del computer nell'alloggiamento di espansione con Windows 95

- 1 Inserire il computer nell'alloggiamento di espansione e accenderlo.
- 2 Premere <F2> durante la procedura di avvio del sistema o premere <Fn><F1> dopo l'avvio del computer per accedere al programma di configurazione del sistema.
- 3 Impostare **Docking IRQ** (IRQ della periferica di espansione) su **Optimized** (ottimizzato).
- 4 Impostare **Universal Connect** (connessione universale) su **Enabled** (attivata).

- 5 Uscire dal programma di configurazione del sistema.
Il computer rileverà automaticamente il nuovo hardware.
- 6 Fare clic su **Si** nella finestra **Modifica delle impostazioni di sistema**.
Il computer verrà riavviato e rileverà automaticamente il nuovo hardware.
- 7 Fare clic su **OK** nella finestra **Rete**.
- 8 Selezionare la scheda **Identificazione** nella finestra **Rete** successiva.
- 9 Immettere un nome nella casella **Nome computer** e nella casella **Gruppo di lavoro** in modo da identificare il computer in rete, quindi fare clic su **Chiudi**.

Se si hanno dubbi sul nome da immettere nelle caselle **Nome computer** e **Gruppo di lavoro**, rivolgersi all'amministratore di sistema.



NOTA: è necessario immettere le informazioni richieste nelle caselle **Nome computer** e **Gruppo di lavoro** per poter procedere con l'installazione dei driver.

I file necessari verranno copiati automaticamente e verrà creato un database di informazioni dei driver.

- 10 Fare clic su **OK** nella finestra **Impostazioni di configurazione**.
- 11 Seguire le istruzioni visualizzate per completare l'installazione.
Al termine dell'installazione verrà visualizzato il desktop di Windows.



NOTA: per usare i connettori USB, è necessario installare il pacchetto di integrazione per il supporto USB dal CD *ResourceCD*, disponibile nella directory **Win95\OSUpdate**. Se si installa il pacchetto di integrazione per il supporto USB, non sarà possibile attivare la modalità sospensione sul computer. Dell consiglia di non procedere all'installazione a meno che non si intenda usare periferiche USB.

Aggiornamento dei driver in Windows XP e Windows 2000

Per aggiornare i driver in Windows XP e Windows 2000, seguire la procedura descritta.

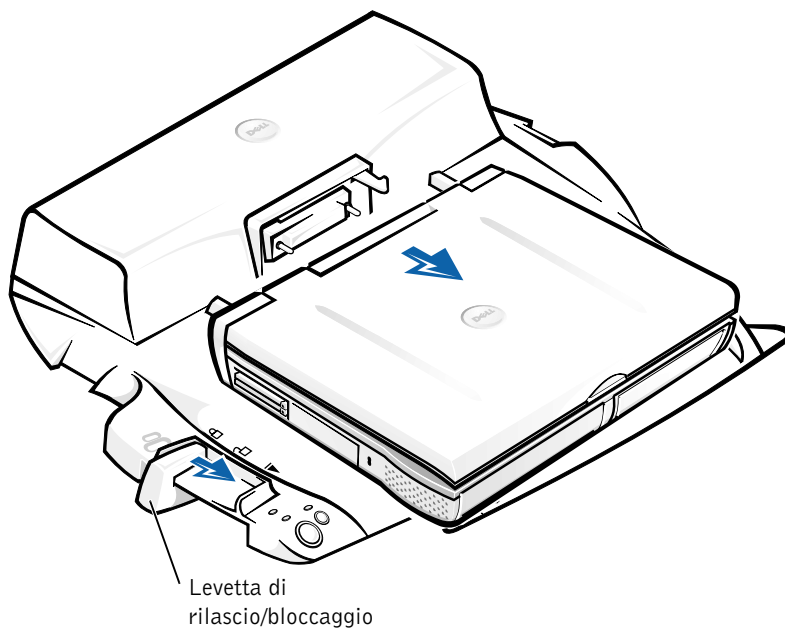
- 1 Fare clic con il pulsante destro del mouse su **Risorse del computer** e scegliere **Gestisci**. *In Windows XP* fare clic sul pulsante **Start** per accedere a **Risorse del computer**; *in Windows 2000* l'icona **Risorse del computer** si trova sul desktop di Windows desktop.
- 2 Nella finestra **Gestione computer** fare clic su **Gestione periferiche**, quindi fare doppio clic su **Schede di rete**.
- 3 Fare doppio clic su **3Com 3C920 Integrated Fast Ethernet Controller**.
- 4 Selezionare la scheda **Driver**.
- 5 Fare clic su **Aggiorna driver** e seguire le istruzioni che verranno visualizzate.

Aggiornamento dei driver in Windows Me

Per aggiornare i driver in Windows Me, seguire la procedura descritta.

- 1 Fare clic con il pulsante destro del mouse sull'icona **Risorse del computer** sul desktop di Windows, quindi fare clic su **Proprietà**.
- 2 Nella finestra **Proprietà - Sistema**, selezionare la scheda **Gestione periferiche** e fare doppio clic su **Schede di rete**.
- 3 Fare doppio clic su **3Com 3C920 Integrated Fast Ethernet Controller**.
- 4 Selezionare la scheda **Driver**.
- 5 Fare clic su **Aggiorna driver** e seguire le istruzioni che verranno visualizzate.

Disinserimento del computer dall'alloggiamento di espansione



- ➔ **AVVISO:** se non è alimentato a batteria, il computer si spegne quando viene disinserito dall'alloggiamento di espansione e tutti i dati non salvati verranno persi.
- ➔ **AVVISO:** non disinserire mai il computer dall'alloggiamento di espansione senza predisporlo per tale operazione. Se il computer viene disinserito senza predisporlo, i dati non salvati verranno persi e il ripristino del normale funzionamento del computer potrebbe richiedere diversi minuti o non avvenire affatto.

Per predisporre il computer al disinserimento dall'alloggiamento di espansione, seguire una delle procedure descritte.

- Premere <Fn><Esc> sulla tastiera del computer oppure premere <Bloc Scorr><Esc> su una tastiera esterna.

Attendere alcuni secondi finché l'indicatore di alimentazione sul computer si spegne.

- *In Windows XP*, fare clic sul pulsante **Start**, quindi fare clic su **Undock Computer** (disinserisci il computer dall'alloggiamento di espansione).

In Windows 95, Windows 98, Windows Me e Windows 2000, fare clic sul pulsante **Start**, quindi scegliere **Rimuovi PC**.

In Windows NT, fare clic sull'icona del programma di gestione dell'alloggiamento di espansione sulla barra delle applicazioni, quindi fare clic su **Undock** (disinserisci) per attivare la modalità sospensione.

Attendere alcuni secondi finché l'indicatore di alimentazione sul computer si spegne.

- Premere il pulsante di disinserimento sulla base dell'alloggiamento di espansione (vedere la figura "Controlli e indicatori della base dell'alloggiamento di espansione"). Attendere che l'indicatore verde di inserimento dall'alloggiamento di espansione si spenga.

Protezione dell'APR C/Port II

Caratteristiche di sicurezza

La periferica di alloggiamento presenta le seguenti caratteristiche di sicurezza.

- La levetta di rilascio/bloccaggio consente di fissare e rilasciare il computer. In posizione arretrata fissa il computer all'APR C/Port II; in posizione intermedia consente di usare la periferica di alloggiamento senza fissarlo; in posizione avanzata rilascia il computer dalla periferica di alloggiamento. Spostare la levetta di rilascio/bloccaggio nella posizione arretrata per usare lo slot per il lucchetto e la fessura del blocco di sicurezza.
- Un fermo di chiusura a molla, situato sulla parte anteriore della base, si incastra in uno slot di sicurezza sul fondo del computer fissando il portatile alla base dell'alloggiamento di espansione. Non tutti i computer Dell sono dotati di questo slot di sicurezza.
- Il pulsante di espulsione dell'alloggiamento dei supporti esterni blocca le periferiche all'interno dell'alloggiamento impedendone la rimozione.
- Un fermo di chiusura immobilizzato impedisce la rimozione non autorizzata del computer.

Protezione dell'APR C/Port II

Per proteggere la periferica di alloggiamento, adottare uno dei seguenti metodi.

- Usare un lucchetto oppure un cavo di sicurezza a cappio unitamente a un lucchetto da inserire nello slot per il lucchetto (vedere “Controlli e indicatori della base dell'alloggiamento di espansione”) sulla periferica di alloggiamento.

L'uso del solo lucchetto consente di bloccare la levetta di rilascio, rendendo difficile la rimozione del computer dalla periferica di alloggiamento.

L'uso combinato di un cavo di sicurezza passato intorno a una struttura fissa e di un lucchetto impedisce la rimozione non autorizzata del computer e dell'APR C/Port II.

- Collegare un dispositivo antifurto disponibile in commercio alla fessura del blocco di sicurezza (vedere “Controlli e indicatori della base dell'alloggiamento di espansione”) sulla periferica di alloggiamento.

In genere, i dispositivi antifurto sono dotati di un segmento di cavo metallico al quale è collegato un lucchetto con la relativa chiave. Dell consiglia di usare un dispositivo di sicurezza Kensington. Per istruzioni sull'installazione di questo tipo di dispositivi antifurto, consultare la documentazione fornita con il dispositivo.

Dell Diagnostics

Il programma Dell Diagnostics fornito con il computer Dell Latitude include alcune prove che possono risultare utili per la risoluzione dei problemi relativi controllori della periferica di alloggiamento.

Le prove secondarie del gruppo di prove **Network Interface** (interfaccia di rete) del programma Dell Diagnostics consentono di verificare il funzionamento di base del controllore di rete della periferica di alloggiamento. Vengono verificate le funzioni interne del controllore, tra cui l'accesso in lettura e scrittura ai registri e la funzione di trasmissione e ricezione interna (ciclo di verifica a circuito chiuso).

Le prove secondarie del gruppo di prove **Serial/Infrared Ports** (porte seriali/a infrarossi) consentono di controllare l'interfaccia della periferica di alloggiamento con le periferiche esterne, ad esempio un mouse seriale o una stampante. Queste prove secondarie non sono intese come prove di diagnostica per le periferiche esterne stesse.

Le prove secondarie del gruppo di prove **USB** consentono di controllare l'interfaccia della periferica di alloggiamento con le periferiche esterne, ad esempio un mouse USB. Queste prove secondarie non sono intese come prove di diagnostica per le periferiche esterne stesse.

Per istruzioni complete sull'uso del programma Dell Diagnostics, vedere la *Guida dell'utente* del computer.

Specifiche tecniche

Specifiche tecniche

Dimensioni

Altezza:

Con piedistallo del monitor	10,2 cm (4,0 pollici)
Autonomo	5,8 cm (2,3 pollici)

Lunghezza:

Con piedistallo del monitor	39,0 cm (15,4 pollici)
Autonomo	35,8 cm (14,1 pollici)

Larghezza:

Con piedistallo del monitor	40,9 cm (16,1 pollici)
Autonomo	37,5 cm (14,8 pollici)

Peso:

Con piedistallo del monitor	3,0 kg (6,5 libbre)
Autonomo	1,6 kg (3,5 libbre)

Alimentazione

Entrata adattatore c.a.:

Tensione	100–200 Vc.a. a 50–60 Hz
Amperaggio	1,5 A

Input APR II:

Tensione	Richiede 20 Vc.c. da un adattatore c.a.
Amperaggio	3,5 A

Specifiche tecniche *(continua)***I/O**

Seriale (DTE)	Connettore compatibile 16550 con buffer di 16 byte
Parallelo	Connettore unidirezionale, bidirezionale o ECP
PS/2	Due connettori DIN miniaturizzati
USB	Due connettori conformi a USB
Infrarossi	Sensore a infrarossi compatibile con le specifiche IrDA 1.1 (Fast IR) e 1.0 (Slow IR)
Linea di uscita audio	Spinotto audio (per cuffie opzionali)
Video	Un connettore
Rete	Un connettore RJ-45
Inserimento nell'alloggiamento di espansione (per il collegamento del computer)	Un connettore

Controllore di rete Ethernet

Serie di chip	3Com® 3C920; 10/100 BASE-TX (conforme a PC99)
Larghezza del bus di dati	Interfaccia bus host PCI a 32 bit
IRQ	IRQ10

Istruzioni di sicurezza ed EMC - Computer portatili

Di seguito è descritto il significato di simboli *addizionali* usati *solo* nelle istruzioni di sicurezza e relative alla compatibilità elettromagnetica (EMC).



Pericolo di esplosione



Aereo



Pericolo di incendio



L'uso di questo dispositivo potrebbe essere vietato a bordo di un aereo



Rischio di scariche elettriche



Istruzioni di sicurezza

Informazioni generali

- Prima di iniziare a utilizzare l'APR, appoggiarlo su una superficie piana.
- Non cercare di riparare l'APR da soli se non si è un addetto autorizzato al supporto tecnico. Seguire sempre attentamente le istruzioni di installazione.
- Se si usa un cavo di alimentazione di prolunga unitamente all'adattatore c.a., accertarsi che l'assorbimento totale in ampere dei dispositivi collegati non superi il valore nominale di ampere del cavo di prolunga.



- Non inserire oggetti nelle prese d'aria o in altre fessure del computer. Ciò potrebbe causare un corto circuito dei componenti interni, con conseguenti incendi o scariche elettriche.



- Quando si usa l'adattatore c.a. per alimentare il computer o caricare la batteria, posizionarlo in una zona ventilata, ad esempio il piano di una scrivania o il pavimento. Non coprire l'adattatore c.a. con fogli o altri oggetti che potrebbero rallentare il raffreddamento. Non usare inoltre l'adattatore c.a. lasciandolo all'interno della custodia per il trasporto.



- Non usare il computer in un ambiente umido, ad esempio vicino a una vasca da bagno, un lavandino, una piscina o in un seminterrato umido.



- Per evitare potenziali rischi di scariche elettriche, non collegare o scollegare cavi, né eseguire operazioni di manutenzione o riconfigurazione del prodotto durante un temporale. Non usare il computer durante un temporale a meno che tutti i cavi siano stati scollegati e il computer sia alimentato esclusivamente a batteria.
- Usare esclusivamente adattatori c.a. e batterie approvati per l'uso con questo APR, in base a quanto indicato nel presente documento. L'utilizzo di un gruppo batterie o di un adattatore c.a. diverso potrebbe comportare il rischio di incendio o di esplosione.
- Prima di eseguire la pulizia della stazione di alloggiamento di espansione, spegnerla e scollegare l'adattatore c.a. dalla presa elettrica. Pulire la stazione di alloggiamento di espansione con un panno morbido inumidito con acqua. Non usare detergenti spray o liquidi che potrebbero contenere sostanze infiammabili.



Alimentazione (Istruzioni di sicurezza)



- Usare esclusivamente l'adattatore c.a. fornito da Dell approvato per l'uso con questo APR. L'uso di un adattatore c.a. diverso potrebbe provocare incendi o esplosioni.
- Prima di collegare l'APR a una presa elettrica, controllare il valore della tensione dell'adattatore c.a. per accertarsi che la tensione e la frequenza corrispondano a quelle della fonte di alimentazione.
- Per staccare l'alimentazione dal computer, spegnere il computer e scollegare l'adattatore c.a. dalla presa elettrica.



- Per evitare scariche elettriche, collegare l'adattatore c.a. e i cavi di alimentazione delle periferiche a fonti di alimentazione correttamente messe a terra. I cavi di alimentazione potrebbero essere dotati di spine a tre poli per fornire una messa a terra. Non usare adattatori per spine né rimuovere il polo di messa a terra dalla spina del cavo di alimentazione. Se è necessario un cavo di prolunga per l'alimentazione, usare un cavo di tipo appropriato, con spina a due o a tre poli, a cui collegare il cavo di alimentazione dell'adattatore c.a.
- Accertarsi che non vi siano oggetti appoggiati sopra il cavo di alimentazione dell'adattatore c.a. e che il cavo non sia di intralcio o possa essere calpestato.



- Se si usa una multipresa, prestare particolare attenzione quando vi si collega il cavo di alimentazione dell'adattatore c.a. Alcune multiprese potrebbero non consentire l'inserimento corretto della spina del cavo di alimentazione, con conseguente possibili danni permanenti al computer e rischio di scariche elettriche e incendi. Accertarsi che il polo di messa a terra della spina sia inserito nel corrispondente foro di contatto di messa a terra della multipresa.

Avvisi sulle normative

Con interferenza elettromagnetica (EMI) si indica un qualsiasi segnale o emissione, irradiato nello spazio o trasmesso tramite cavi di alimentazione o di segnale, che può compromettere il funzionamento di dispositivi di navigazione radio o servizi di sicurezza di altro tipo, o che in modo significativo disturba, attenua o interrompe ripetutamente un servizio di radiocomunicazione a norma di legge. I servizi di radiocomunicazione comprendono, in via esemplificativa, trasmissioni commerciali AM/FM, televisione, servizi cellulari, radar, controllo del traffico aereo, cercapersone e servizi personali di comunicazione (PCS). Tali servizi a norma di legge, unitamente alle emissioni involontarie provenienti da dispositivi digitali quali i computer, contribuiscono alla formazione dell'ambiente elettromagnetico.

La compatibilità elettromagnetica (EMC) è la capacità dei dispositivi elettronici di operare contemporaneamente in modo corretto nell'ambiente elettromagnetico. Nonostante questo computer sia stato progettato per rispettare i limiti EMI dell'autorità normativa e tale compatibilità sia stata verificata, non vi è alcuna garanzia che non si verifichino interferenze in una particolare situazione. Qualora la presente apparecchiatura provocasse interferenze con servizi di radiocomunicazione, verificabili accendendo e spegnendo l'apparecchiatura, si consiglia di cercare di rimediare all'inconveniente mediante una o più delle seguenti misure.

- Cambiare l'orientamento dell'antenna di ricezione.
- Cambiare l'orientamento del computer rispetto all'apparecchio ricevente.
- Allontanare il computer dall'apparecchio ricevente.
- Collegare il computer a una presa di corrente diversa, in modo che il computer e l'apparecchio ricevente si trovino su diverse sezioni del circuito elettrico.

Se necessario, per ottenere ulteriori consigli, consultare un rappresentante del supporto tecnico di Dell o un tecnico radio/TV specializzato.

I computer Dell sono progettati, collaudati e classificati per l'ambiente elettromagnetico di utilizzo. Le classificazioni dell'ambiente elettromagnetico si riferiscono in genere alle seguenti definizioni standard:

- La Classe A corrisponde generalmente ad ambienti commerciali o industriali.
- La Classe B corrisponde generalmente ad ambienti residenziali.

Le apparecchiature informatiche (ITE), comprese le periferiche, le schede di espansione, le stampanti, le periferiche di input/output, i monitor, ecc. che sono integrate o collegate al computer devono appartenere alla stessa classe elettromagnetica del computer.

Avviso sui cavi di trasmissione schermati: per ridurre la possibilità di interferenze con servizi di radiocomunicazione, usare esclusivamente cavi schermati per collegare periferiche a qualsiasi dispositivo Dell. L'impiego di cavi schermati garantisce la conformità con la classe EMC prevista per l'ambiente di utilizzo. Dell fornisce un apposito cavo per stampanti parallele. È anche possibile ordinare il cavo da Dell sul World Wide Web all'indirizzo <http://accessories.us.dell.com/>.

La maggior parte dei computer Dell rientra nella Classe B. Tuttavia l'aggiunta di determinati componenti opzionali può abbassare il livello di alcune configurazioni alla Classe A. Per determinare la classificazione elettromagnetica del proprio computer o periferica, consultare le seguenti sezioni in corrispondenza di ciascuna autorità normativa. che fornisce informazioni EMC/EMI e sulla sicurezza del prodotto.

Avviso CE (Unione Europea)

La marchiatura **CE** indica la conformità del presente computer Dell alla Direttiva EMC e alla Direttiva LVD dell'Unione Europea. Questo marchio indica che il presente sistema Dell è conforme agli standard tecnici riportati di seguito.

- EN 55022 — “Limiti e metodi di misurazione delle caratteristiche di radiointerferenza di apparecchiature informatiche”.
- EN 55024 — “Apparecchiature informatiche - Funzioni per l'immunità - Limiti e metodi di misurazione”.

- EN 61000-3-2 — “Compatibilità elettromagnetica (EMC) - Parte 3: Limiti - Sezione 2: Limiti per le emissioni di correnti armoniche (la corrente di input dell'apparecchiatura può arrivare fino a 16 A per fase)”.
- EN 61000-3-3 — “Compatibilità elettromagnetica (EMC) - Parte 3: Limiti - Sezione 3: Limitazione delle fluttuazioni di tensione e dello sfarfallio nei sistemi di alimentazione a bassa tensione per apparecchiature con corrente nominale fino a 16 A”.
- EN 60950 — “Sicurezza delle apparecchiature informatiche”.



NOTA: I requisiti EN 55022 sulle emissioni prevedono due classi:

- La Classe A per le aree tipicamente commerciali.
- La Classe B per le aree tipicamente residenziali.

Il presente dispositivo Dell è classificato per l'uso in ambiente residenziale di Classe B.

Una “Dichiarazione di conformità” agli standard e alle direttive precedenti è stata emessa e registrata presso Dell Computer Corporation Products Europe BV, Limerick, Irlanda.

Conformità EN 55022 (limitatamente alla Repubblica Ceca)

Il presente dispositivo è di Classe B in base allo standard EN 55022, a meno che non sia esplicitamente indicato come dispositivo di Classe A sull'etichetta delle specifiche. Quanto segue è applicabile ai dispositivi di Classe A secondo EN 55022 (raggio di protezione fino a 30 metri). L'utente del dispositivo è obbligato ad adottare tutte le misure necessarie per rimuovere le sorgenti di interferenze con telecomunicazioni o altri dispositivi.

Pokud není na typovém štítku počítače uvedeno, že spadá do třídy A podle EN 55022, spadá automaticky do třídy B podle EN 55022. Pro zařízení zařazená do třídy A (ochranné pásmo 30m) podle EN 55022 platí následující. Dojde-li k rušení telekomunikačních nebo jiných zařízení, je uživatel povinen provést taková opatření, aby rušení odstranil.

Avviso del centro per i collaudi e le certificazioni della Polonia

L'apparecchiatura deve essere collegata a una presa di corrente provvista di circuito di protezione, cioè una presa a tre poli. Tutte le apparecchiature che funzionano congiuntamente (computer, monitor, stampante, ecc.) devono essere collegate alla stessa fonte di alimentazione.

Il conduttore di fase dell'impianto elettrico del locale deve essere provvisto di un dispositivo di protezione da corto circuito sotto forma di fusibile con valore nominale non superiore a 16 ampere (A).

Per spegnere completamente l'apparecchiatura, è necessario scollegare il cavo di alimentazione dalla relativa presa, che dovrebbe trovarsi in prossimità dell'apparecchiatura ed essere facilmente accessibile.

Un marchio di protezione "B" indica che l'apparecchiatura è conforme ai requisiti di utilizzo relativi alla protezione PN-93/T-42107 e PN-EN 55022: 1996.

Wymagania Polskiego Centrum Badań i Certyfikacji

Urządzenie powinno być zasilane z gniazda z przyłączonym obwodem ochronnym (gniazdo z kołkiem). Współpracujące ze sobą urządzenia (komputer, monitor, drukarka) powinny być zasilane z tego samego źródła.

Instalacja elektryczna pomieszczenia powinna zawierać w przewodzie fazowym rezerwową ochronę przed zwarciami, w postaci bezpiecznika o wartości znamionowej nie większej niż 16A (amperów).

W celu całkowitego wyłączenia urządzenia z sieci zasilania, należy wyjąć wtyczkę kabla zasilającego z gniazdka, które powinno znajdować się w pobliżu urządzenia i być łatwo dostępne.

Znak bezpieczeństwa "B" potwierdza zgodność urządzenia z wymaganiami bezpieczeństwa użytkownika zawartymi w PN-93/T-42107 i PN-EN 55022:1996.

Jeżeli na tabliczce znamionowej umieszczono informację, że urządzenie jest klasy A, to oznacza to, że urządzenie w środowisku mieszkalnym może powodować zakłócenia radioelektryczne. W takich przypadkach można żądać od jego użytkownika zastosowania odpowiednich środków zaradczych.

Pozostałe instrukcje bezpieczeństwa

- Nie należy używać wtyczek adapterowych lub usuwać kołka obwodu ochronnego z wtyczki. Jeżeli konieczne jest użycie przedłużacza to należy użyć przedłużacza 3-żyłowego z prawidłowo połączonym przewodem ochronnym.
- System komputerowy należy zabezpieczyć przed nagłymi, chwilowymi wzrostami lub spadkami napięcia, używając eliminatora przepięć, urządzenia dopasowującego lub bezzakłócenowego źródła zasilania.
- Należy upewnić się, aby nic nie leżało na kablach systemu komputerowego, oraz aby kable nie były umieszczone w miejscu, gdzie można byłoby na nie nadeptywać lub potykać się o nie.
- Nie należy rozlewać napojów ani innych płynów na system komputerowy.
- Nie należy wpychać żadnych przedmiotów do otworów systemu komputerowego, gdyż może to spowodować pożar lub porażenie prądem, poprzez zwarcie elementów wewnętrznych.
- System komputerowy powinien znajdować się z dala od grzejników i źródeł ciepła. Ponadto, nie należy blokować otworów wentylacyjnych. Należy unikać kładzenia luźnych papierów pod komputer oraz umieszczania komputera w ciasnym miejscu bez możliwości cyrkulacji powietrza wokół niego.

Avviso marchio CE

Questo dispositivo è conforme ai requisiti della Direttiva Europea 1999/5/EC.

Dell™ Latitude™ C/Port II APR

Veiledning for systeminformasjon

OBS, merknader og advarsler



OBS! En OBS!-blokk inneholder viktig informasjon som gjør deg til en mer effektiv bruker av datamaskinen.



MERKNAD: En MERKNAD angir enten potensiell fare for maskinvaren eller tap av data, og forteller hvordan du kan unngå problemet.



ADVARSEL: En **ADVARSEL** angir en potensiell fare for skade på eiendom, personskade eller dødsfall.

Informasjonen i dette dokumentet kan endres uten varsel.

© 2001 Dell Computer Corporation. Alle rettigheter forbeholdt.

Reproduksjon i noen som helst form er strengt forbudt uten skriftlig tillatelse fra Dell Computer Corporation.

Varemerker som forekommer i teksten: *Dell*, *DELL*-logoen, *Latitude* og *DellWare* er varemerker for Dell Computer Corporation. *3Com* er et varemerke for 3Com Corporation. *Microsoft*, *Windows* og *Windows NT* er registrerte varemerker for Microsoft Corporation.

Andre varemerker og varenavn kan brukes i dette dokumentet for å referere til institusjonene som innehar rettighetene til merkene og navnene, eller til produktene. Dell Computer Corporation fraskriver seg enhver eierinteresse for varemerker og varenavn som ikke er sine egne.

Dette produktet inneholder Copyright-beskyttelsesteknologi som er beskyttet ved metodekrav fra visse USA-patenter og andre opphavsrettigheter som eies av Macrovision Corporation og andre rettighetshavere. Bruk av denne Copyright-beskyttelsesteknologien må autoriseres av Macrovision Corporation, og må bare brukes til privat og annen begrenset visning med mindre annen tillatelse er gitt av Macrovision Corporation. Dekonstruering eller demontering er forbudt.

Oktober 2001

P/N 4G281

Rev. A01

Veiledning for systeminformasjon

Dette dokumentet inneholder informasjon om oppstart, sikkerhet, vedtekter og garanti for Dell Latitude C/Port II Advanced Port Replicator (APR), samt informasjon om andre tilgjengelige Dell-dokumenter og om hvordan du får tak i dem.

Andre tilgjengelige dokumenter

- Dokumentasjonsoppdateringer som av og til følger med forankringsstasjonen for å beskrive endringer på forankringsstasjonen eller programvaren. Les alltid disse oppdateringene *før* du tar i bruk andre deler av dokumentasjonen, da oppdateringene ofte inneholder den nyeste informasjonen.
- Dokumentasjon følger med eventuelt tilbehør du kjøper utenom forankringsstasjonen. Denne dokumentasjonen inneholder informasjonen du trenger for å konfigurere og installere dette tilbehøret i forankringsstasjonen.

Få hjelp

Dell tilbyr en rekke nyttige verktøy du kan bruke hvis forankringsstasjonen ikke fungerer som forventet. Se under "Få hjelp" i *brugerhåndboken* for datamaskinen hvis du vil vite mer om disse hjelpeverktøyene.

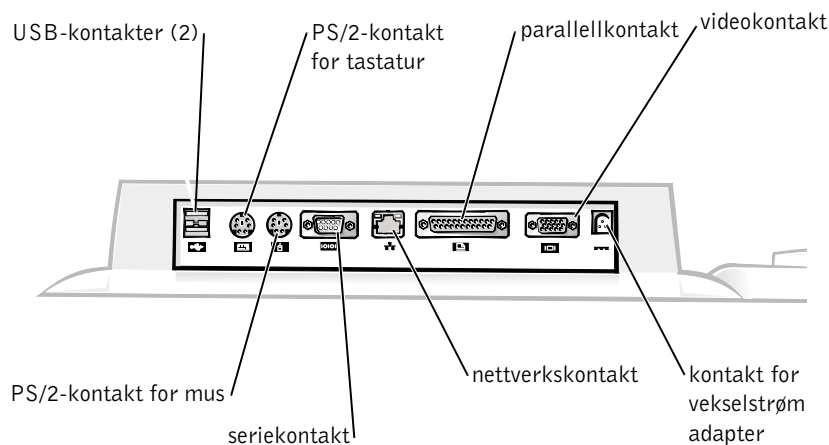
Oversikt over forankringsstasjonen

OBS! Underrett nettverksansvarlig før du kople forankringsstasjonen til et nettverk.

Du må kople en vekselstrømadapter til forankringsstasjonen før du forankrer datamaskinen til forankringsstasjonen og slår på datamaskinen. Strømadapteren forsyner både forankringsstasjonen og datamaskinen med strøm samtidig. Eventuelle batterier som er installert i datamaskinen, lades opp mens du bruker forankringsstasjonen.









MERKNAD: Bruk alltid vekselstrømadapteren Dell PA-6 som følger med forankringsstasjonen. Hvis du bruker andre strømadaptere som finnes på markedet, eller strømadapteren til en eldre Dell-datamaskin, kan du ødelegge forankringsstasjonen eller datamaskinen.

I/U-panelet til forankringsstasjonen

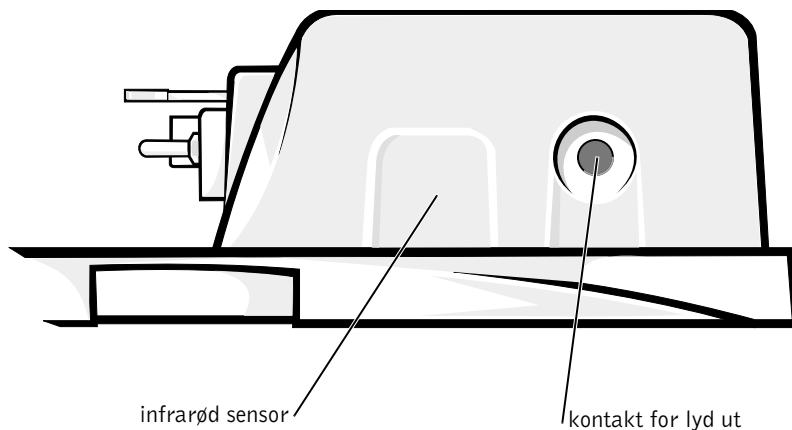


Tabellen "Eksterne I/U-kontakter" viser ikonene for hver av kontaktene bak på APR-enheten og angir hvilke typer utstyr som kan koples til hver av kontaktene.

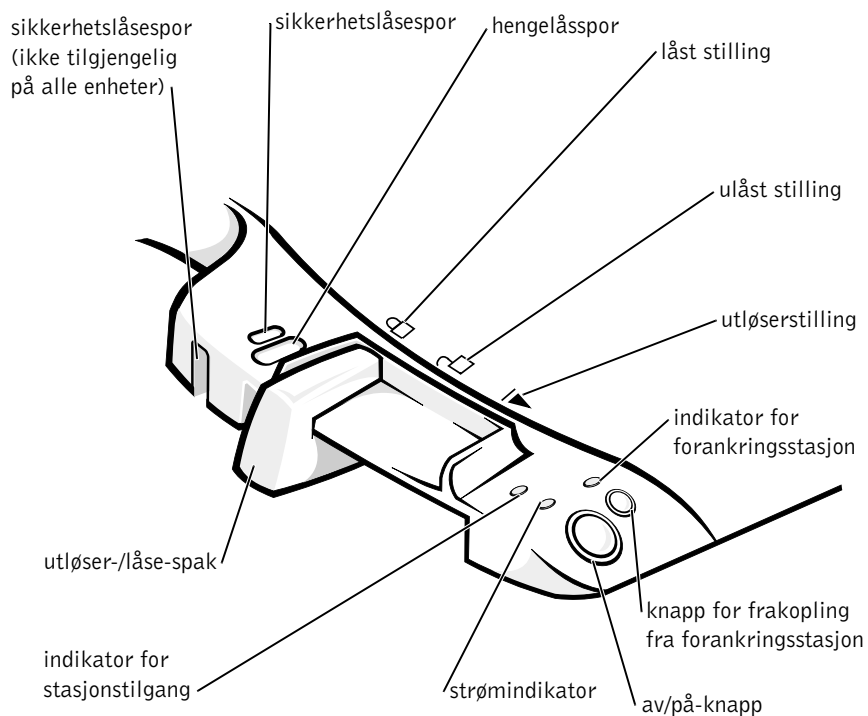
Eksterne I/U-kontakter

Ikon for kontakt	Kontaktbeskrivelse
	En eller to USB-enheter, for eksempel en USB-mus, kan koples til USB-kontakten.
	Et eksternt tastatur av PS/2-typen eller et eksternt numerisk tastatur kan koples til PS/2-tastaturkontakten.
	En eksternt PS/2-kompatibel mus kan koples til PS/2-musekontakten.
	En seriell utstyrsenhet, for eksempel en seriell mus eller et eksternt modem, kan koples til seriekontakten.
	En nettverkskabel kan koples til nettverkskontakten.
	En parallell utstyrsenhet, for eksempel en skriver, kan koples til parallellportkontakten.
	En eksternt skjerm kan koples til videokontakten.
	Vekselstrømadapteren som ble levert med APR-enheten, koples til vekselstrømadapter-kontakten.

Kontakter for lyd og infrarød sensor



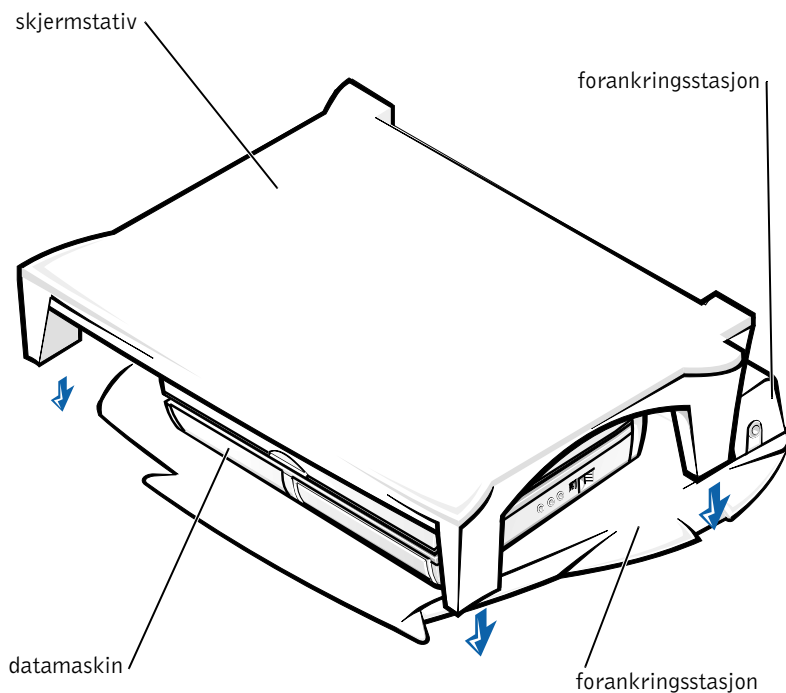
Kontroller og indikatorer for forankringsstasjonen



Skjermstativ

- ➔ **MERKNAD:** Stativet støtter skjermer som veier opptil 45,3 kg (100 pund [lb]). Tyngre skjermer kan ødelegge stativet, datamaskinen og forankringsstasjonen.


Forankringsstasjonen med skjermstativ



OBS! Kontroller at føttene bak på skjermstativet sitter i nedfellingene på hver side av forankringsstasjonen.

Før datamaskinen koples til en forankringsstasjon

Hvis datamaskinen kjører et av operativsystemene Microsoft® Windows® 9x, Windows NT® eller Windows Millennium (Me), må du først kontrollere om det finnes forankringsdrivere på datamaskinen. Hvis det ikke er noen forankringsdrivere på datamaskinen, må du installere dem før du forankrer datamaskinen for første gang. Følg trinnene under "Installere forankringsdrivere" for å installere forankringsdrivere.

 **OBS!** Hvis datamaskinen kjører operativsystemet Windows XP eller Windows 2000, installeres driverne automatisk, slik at du ikke behøver å utføre trinnene under "Installere forankringsdriverne". Gå til "Forankre datamaskinen".

Kontrollere om det finnes eksisterende forankringsdriverne på datamaskinen

- 1 Dobbelklikk på **Min datamaskin**.
- 2 Dobbelklikk på **Kontrollpanel**.
- 3 Dobbelklikk på **Legg til / fjern programmer**.
- 4 Finn de riktige forankringsdriverne i listen over programmer.

Når det gjelder Windows 9x og Windows Me, må du se etter driveren med **Quick Install** (Hurtiginstallasjon) i navnet. Eksempel: Dell Dock Quick Install (Hurtiginstallasjon av forankringsstasjon) for Windows.

For Windows NT må du se etter **NT Softex Docking Services**.

Hvis det ikke er noen forankringsdriverne på datamaskinen, går du til neste avsnitt, "Installere forankringsdriverne". Hvis forankringsdriverne er installert på datamaskinen, går du til "Forankre datamaskinen".

Installere forankringsdriverne

Du kan installere forankringsdriverne på én av følgende måter:

- Installer driverne fra CD-en *ResourceCD* eller CD-en *Drivers and Utilities* som fulgte med datamaskinen eller forankringsstasjonen.
- Last ned driverne fra web-området for Dell-støtte.

Installere forankringsdriverne fra CD-en *ResourceCD* eller CD-en *Drivers and Utilities*

- 1 Sett inn CD-en *ResourceCD* eller *Drivers and Utilities* i CD-ROM-stasjonen.

Som oftest begynner CD-en å kjøre automatisk. Hvis ikke, starter du Windows Utforsker og klikker på katalogen for CD-ROM-stasjonen for å vise innholdet på CD-en. Deretter dobbeltklikker du på programfilen **autorcd**. Hvis en velkomstskjerm vises, klikker du på **Next** (Neste). Den første gangen du kjører CD-en, kan det hende du blir bedt om å installere noen installeringsfiler. Klikk på **OK** og følg instruksjonene på skjermen for å fortsette.

- 2 Fra rullegardinmenyen **Language** (Språk) på verktøylinjen velger du ønsket språk for driveren (hvis det er tilgjengelig).

En velkomstskjerm vises.

- 3 Klikk på **Neste**.

- 4 Under **Search Criteria** (Søkekriterier) velger du de aktuelle kategoriene fra rullegardinmenyene **System Model** (Systemmodell) og **Operating System** (Operativsystem).

*Hvis systemet kjører Windows 9x eller Windows Me, velger du System Utilities (Systemverktøy) fra rullegardinmenyen **Device Type** (Enhetstype) og deretter **Drivers** (Driverer) fra rullegardinmenyen **Topic** (Emne).*

*Hvis systemet kjører Windows NT, velger du System Utilities (Systemverktøy) fra rullegardinmenyen **Device Type** (Enhetstype), og deretter velger du **Utilities** (Verktøy) fra rullegardinmenyen **Topic** (Emne).*

En eller flere koblinger vises for de bestemte driverne eller det bestemte verktøyet som brukes på datamaskinen.

- 5 *Hvis systemet kjører Windows 9x eller Windows Me, klikker du på koblingen for verktøyet **Dell Dock Quick Install** (Hurtiginstallasjon av forankringsstasjon).*

Filen **Dell Dock Quick Install** (Hurtiginstallasjon for forankringsstasjon) er et verktøy som installerer de nødvendige forankringsdriverne på datamaskinen.

*Hvis datamaskinen kjører Windows NT, klikker du på koblingen for **Softex Docking Services**.*

- 6 Klikk på knappen **Install** (Installer) for å starte den automatiske installasjonen. Følg instruksjonene i velkomstskjermen for å fullføre installasjonen.



OBS! På enkelte ResourceCD-er må brukerne kanskje navigere gjennom mapper for å finne den riktige driveren. Se i *brukerhåndboken* hvis du vil ha fullstendige instruksjoner om hvordan du installerer driverne på nytt.

Installere forankringsdriverne fra web-området for Dell-støtte

- 1** Gå til web-området for Dell-støtte på <http://support.dell.com>. Hvis du besøker web-området for første gang, angir du landet ved å klikke på kartet som vises.
Siden **Welcome to support.dell.com** (Velkommen til support.dell.com) åpnes.
- 2** Skriv inn informasjonen om forankringsstasjonen, og klikk deretter på **Go!** (Start)
Klikk på **Downloads For Your System** (Filer for nedlasting for systemet).
Vinduet **Downloads For Your Dell** (Filer for nedlasting for systemet) kommer frem, med et lite skjema du må fylle ut.
- 3** Skriv inn servicemerkenummeret for datamaskinen, eller velg Dell-system.
- 4** Velg operativsystem og språkversjon.
- 5** Velg **System and Configuration Utilities** (System- og konfigurasjonsverktøy) som nedlastingskategori.
- 6** Klikk på **Go!** (Start).
- 7** Hvis datamaskinen kjører *Windows 9x* eller *Windows Me*, finner du frem til og klikker på koblingen for verktøyet **Dell Dock QuickInstall** (Hurtiginstallasjon for forankringsstasjon).
Hvis datamaskinen kjører *Windows NT*, finner du frem til og klikker på koblingen for **Softex Docking Services**.
- 8** Følg instruksjonene på skjermen for å laste ned og installere de nødvendige driverne.
- 9** Etter at du har lastet ned filene, og før du installerer driverne, må du lese filen **readme.txt** som er inkludert med de nedlastede filene. Den inneholder viktig informasjon om installasjonen.

Kople datamaskinen til en forankringsstasjon

Hvis du kople en skjerm til forankringsstasjonen og slår på skjermen, vises skjermbildet på skjermen. Hvis du vil skifte til visning på datamaskinskjermen, eller både på skjermen og datamaskinskjermen, trykker du på <Fn><F8>.

Når du forankrer datamaskinen til forankringsstasjonen og slår på datamaskinen, tennes den grønne av/på-lampen på forankringsstasjonen (se under "Kontroller og indikatorer på forankringsstasjonen").

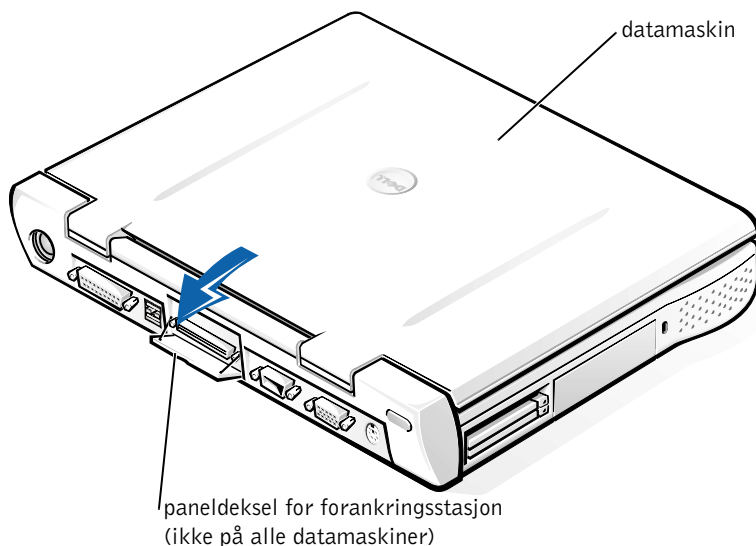
➔ **MERKNAD:** Hvis du vil unngå å miste data, bør du lagre eventuelle åpne filer før du forankrer datamaskinen.

- 1 Lagre alle filer, lukk og avslutt alle programmer, avslutt operativsystemet og slå av datamaskinen.

➔ **MERKNAD:** Hvis du vil unngå å skade forankringskontakten, bør du åpne forankringspanelet før du prøver å forankre datamaskinen til forankringsstasjonen.

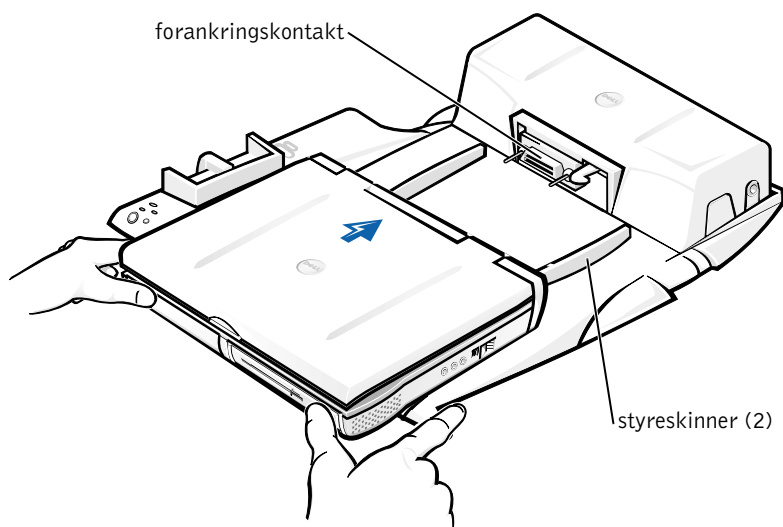
- 2 Hvis datamaskinen har et paneldeksel for forankringsstasjon, åpner du dette dekselet på baksiden av datamaskinen.

Paneldeksel for forankringsstasjon på datamaskinen



- 3 Lukk datamaskinskjermen hvis du bruker forankringsstasjonen med et skjermstativ.
- 4 Kontroller at utløser/låsespaken er i ulåst stilling.
- 5 Forankre datamaskinen til forankringsstasjonen på følgende måte:


Kople datamaskinen til en forankringsstasjon



- a Sentrer datamaskinen vannrett på APR-plattformen slik at baksiden av datamaskinen vender mot kontakten på forankringsenheten, som vist under "Forankre datamaskinen".
- b Skyv datamaskinen mot kontakten til du kjenner at sporene på undersiden av datamaskinen fester seg til styreskinnene.

➔ **MERKNAD:** Hvis du prøver å skyve datamaskinen helt inn i APR-enheten uten å bruke styreskinnene, kan du komme til å skade forankringskontakten på datamaskinen.

➔ **MERKNAD:** Løft ikke opp datamaskinen eller forankringsstasjonen separat når de er koplet sammen, da dette kan føre til at kontaktene på datamaskinen og forankringsstasjonen skades.


-  **MERKNAD:** Hvis du bruker en skjerm med skjermstativ, flytter du skjermen ned fra stativet før du flytter forankringsstasjonen på plass.
- c Skyv datamaskinen forsiktig fremover til forankringskontakten er helt koplet til.

Forankre datamaskinen for første gang med Windows XP og Windows 2000

- 1 Forankre og slå på datamaskinen.
- 2 Trykk på <F2> under systemoppstartsrutinen for å få frem systemoppsett-programmet.
- 3 Still inn **Forankrings-IRQ** til **Optimalisert**.
- 4 Still inn **Universaltilkopling** til **Aktivert**.
- 5 Avslutt programmet for systemoppsett.

Datamaskinen fortsetter oppstartsprosessen.

I Windows 2000 vises **Veiviser for ny maskinvare**.

 **OBS!** Hvis datamaskinen kjører Windows XP, vil operativsystemet automatisk installere driverne. Hvis datamaskinen kjører Windows 2000, vil **Veiviser for ny maskinvare** automatisk installere driverne.

Forankre datamaskinen for første gang med Windows Me

- 1 Forankre og slå på datamaskinen.
- 2 Trykk på <F2> under systemoppstartsrutinen for å få frem systemoppsett-programmet.
- 3 Still inn **Forankrings-IRQ** til **Optimalisert**.
- 4 Still inn **Universaltilkopling** til **Aktivert**.
- 5 Avslutt programmet for systemoppsett.
Datamaskinen fortsetter oppstartsprosessen.
Veiviser for maskinvareinstallasjon vises.
- 6 Velg **Søk etter den beste driveren for enheten (Anbefalt)**, og klikk på **Neste**.
- 7 Klikk på **Neste**.

- 8 Følg instruksjonene i **Veiviser for maskinwareinstallasjon**.
- 9 Velg **Søk etter den beste driveren for enheten (Anbefalt)** og klikk på **Neste** når du blir bedt om det.
- 10 Fortsett å følge instruksjonene for å fullføre installasjonen. Windows-skrivebordet vises, og installasjonen er fullført.

Forankre datamaskinen for første gang med Windows NT 4.0

- 1 Forankre og slå på datamaskinen.
- 2 Trykk enten på <F2> under rutinen for systemoppstart, eller trykk på <Fn><F1> etter at datamaskinen startes opp for å vise programmet for systemoppsett.
- 3 Still inn **Forankrings-IRQ** til **Optimalisert**.
- 4 Still inn **Universaltilkopling** til **Aktivert**.
- 5 Avslutt programmet for systemoppsett.
- 6 Trykk på <Ctrl><Alt> for å logge på.
Vinduet **Docking Station Setup** (Installasjon av forankringsstasjon) kommer frem og angir at datamaskinen må koples fra forankringsstasjonen for å kunne fortsette.
- 7 Klikk på **OK** og vent til datamaskinen er slått av.
- 8 Kople datamaskinen fra forankringsstasjonen (se "Kople datamaskinen fra forankringsstasjonen").
Datamaskinen starter på nytt automatisk. Slå på datamaskinen hvis dette ikke er tilfelle.
- 9 Klikk på **Start** og velg **Avslutt**.
- 10 Vent til datamaskinen er slått helt av, og forankre datamaskinen til forankringsstasjonen på nytt.
Datamaskinen starter på nytt automatisk. Slå på datamaskinen hvis dette ikke er tilfelle.
- 11 Trykk på <Ctrl><Alt> for å logge på.
Datamaskinen registrerer automatisk nye enheter.

- 12** Velg **Install System Provided Driver for the Selected Device (Recommended)** (Installer driver i systemet for den merkede enheten [Anbefalt]), og klikk på **OK** når du blir bedt om det.
- 13** Klikk på **Continue** (Fortsett) i vinduet **Windows NT Setup** (Installere Windows NT).
- 14** Velg **Install System Provided Driver for the Selected Device (Recommended)** (Installer driver i systemet for den merkede enheten [Anbefalt]), og klikk på **OK**.
- 15** Velg **navnet på** kontrolleren for nettverksgrensesnitt (NIC) på rullegardinmenyen.
- 16** Velg om du vil at nettverksadapteren skal hente en IP-adresse fra en server, eller om en IP-adresse skal angis.

Spør systemansvarlig hvis du ikke vet hva du skal velge.
- 17** Følg instruksjonene for å fullføre installasjonen.

Windows-skrivebordet vises, og installasjonen er fullført.

Datamaskinen kan ikke gå inn i hvilemodus mens den er forankret.

Forankre datamaskinen for første gang med Windows 98

- 1** Forankre og slå på datamaskinen.
- 2** Trykk enten på <F2> under rutinen for systemoppstart, eller trykk på <Fn><F1> etter at datamaskinen startes opp for å vise programmet for systemoppsett.
- 3** Still inn **Forankrings-IRQ** til **Optimalisert**.
- 4** Still inn **Universaltilkopling** til **Aktivert**.
- 5** Avslutt programmet for systemoppsett.

Datamaskinen finner ny maskinvare.
- 6** Klikk på **OK** i vinduet **Konfigurasjonsoppsett**.


Veiviser for maskinvareinstallasjon vises.
- 7** Klikk på **Neste**.
- 8** Velg **Søk etter den beste driveren for enheten (Anbefalt)**, og klikk på **Neste**.

- 9 Fjern avmerkingen ved siden av hvert alternativ, og klikk på **Neste**.
Et vindu vises med en melding om at Windows er klar til å installere den beste driveren for enheten.
- 10 Følg instruksjonene i **Veiviser for maskinvareinstallasjon**.
- 11 Velg **Søk etter den beste driveren for enheten (Anbefalt)** og klikk på **Neste** når du blir bedt om det.
- 12 Fortsett å følge instruksjonene for å fullføre installasjonen.

Windows-skrivebordet vises, og installasjonen er fullført.

Forankre datamaskinen for første gang med Windows 95

- 1 Forankre og slå på datamaskinen.
- 2 Trykk enten på <F2> under rutinen for systemoppstart, eller trykk på <Fn><F1> etter at datamaskinen startes opp for å vise programmet for systemoppsett.
- 3 Still inn **Forankrings-IRQ** til **Optimalisert**.
- 4 Still inn **Universaltilkopling** til **Aktivert**.
- 5 Avslutt programmet for systemoppsett.
Datamaskinen registrerer automatisk ny maskinvare.
- 6 Klikk på **Ja** i vinduet **Endring i systeminnstillinger**.
Datamaskinen startes opp på nytt og registrerer automatisk ny maskinvare.
- 7 Klikk på **OK** i vinduet **Nettverk**.
- 8 Velg kategorien **Identifikasjon** i det neste **Nettverk**-vinduet.
- 9 Angi **Datamaskinnavn** og **Arbeidsgruppe** som brukes til å identifisere datamaskinen i nettverket, og klikk på **Lukk**.
Hvis du ikke er sikker på hvilket **Computer Name** (Datamaskinnavn) og hvilken **Workgroup** (Arbeidsgruppe) du skal angi, kan du forhøre deg med systemansvarlig.

 **OBS!** Du må angi **Datamaskinnavn** og **Arbeidsgruppe** for å kunne fortsette driverinstallasjonen.

Datamaskinen kopierer filer og bygger en database for driverinformasjon automatisk.

10 Klikk på **OK** i vinduet **Konfigurasjonsoppsett**.

11 Følg instruksjonene for å fullføre installasjonen.

Windows-skrivebordet vises, og installasjonen er fullført.

 **OBS!** Hvis du skal bruke USB-kontakter, må du installere USB-tillegg fra *ResourceCD* i katalogen **Win95\OSUpdate** (OS-oppdatering for Win95). Hvis du installerer USB-tillegget, kan ikke datamaskinen gå i hvilemodus. Dell anbefaler at du ikke installerer USB-tillegget, med mindre du har til hensikt å bruke USB-enheter.

Oppdatere drivere i Windows XP og Windows 2000

Slik oppdaterer du drivere i Windows XP og Windows 2000:

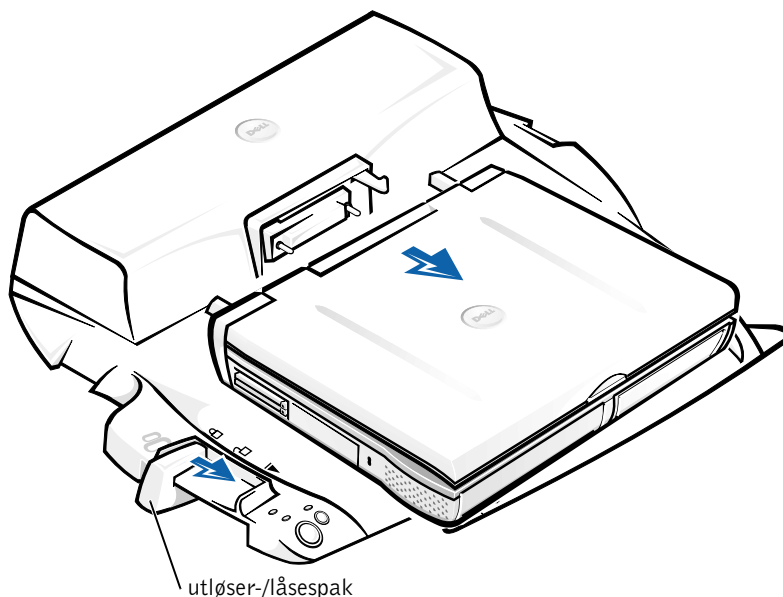
- 1** Høyreklikk på **Min datamaskin** og klikk på **Behandle**. (I *Windows XP* klikker du på **Start**-knappen for å få tilgang til **Min datamaskin**. I *Windows 2000* er, **Min datamaskin** plassert på Windows-skrivebordet).
- 2** I vinduet **Datamaskinbehandling** klikker du på **Enhetsbehandling** og dobbeltklikker på **Nettverkskort**.
- 3** Dobbeltklikk på **3Com 3C920 Integrated Fast Ethernet Controller**.
- 4** Klikk på kategorien **Driver**.
- 5** Klikk på **Oppdater driver...** og følg instruksjonene.

Oppdatere drivere i Windows Me

Slik oppdaterer du drivere i Windows Me:

- 1** Høyreklikk på **Min datamaskin** på skrivebordet og klikk på **Egenskaper**.
- 2** I vinduet **Systemegenskaper** klikker du på kategorien **Enhetsbehandling** og dobbeltklikker på **Nettverkskort**.
- 3** Dobbeltklikk på **3Com 3C920 Integrated Fast Ethernet Controller**.
- 4** Klikk på kategorien **Driver**.
- 5** Klikk på **Oppdater driver...** og følg instruksjonene.

Kople datamaskinen fra forankringsstasjonen



- ➔ **MERKNAD:** Hvis datamaskinen ikke kjøres på batteri, slås datamaskinen av når du kopler den fra forankringsstasjonen, og du vil miste data som ikke er lagret.
- ➔ **MERKNAD:** Kople aldri datamaskinen fra forankringsstasjonen uten å klargjøre datamaskinen først. Hvis du kopler datamaskinen fra forankringsstasjonen før du klargjør datamaskinen, vil du miste data, og det kan hende at datamaskinen ikke gjenopptar normal drift på flere minutter, hvis den overhodet gjør det.

Bruk én av følgende tre metoder for å klargjøre datamaskinen til frakopling fra forankringsstasjonen:

- Trykk på <Fn><Esc> på tastaturet til datamaskinen (eller <Scroll Lock><Esc> på et eksternt tastatur).
- Vent noen sekunder til av/på-lampen på datamaskinen slukkes.

- *I Windows XP* klikker du på **Start**-knappen og deretter på **Undock Computer** (Koble datamaskinen fra forankringsstasjon).

I Windows 95, Windows 98, Windows Me eller Windows 2000 klikker du på **Start**-knappen og deretter på **Løs ut PC**.

I Windows NT klikker du på forankringsikonet på oppgavelinjen, og deretter klikker du på **Undock** (Kople fra forankringsstasjon) for å sette datamaskinen i hvilemodus.

Vent noen sekunder til av/på-lampen på datamaskinen slukkes.

- Trykk på knappen for anmodning om frakopling fra forankringsstasjon på forankringsstasjonen (se figuren "Kontroller og indikatorer for forankringsstasjonen"). Vent til den grønne forankringslampen slukkes.

Sikre C/Port II APR

Sikkerhetsfunksjoner

Forankringsstasjonen har følgende sikkerhetsfunksjoner:

- En utløser-/låsespak som gjør at du kan sikre og løse ut datamaskinen. Når spaken står i bakre stilling, er datamaskinen festet til C/Port II APR. Hvis du setter spaken i midtstillingen, kan du bruke forankringsstasjonen uten at den er festet. Når spaken settes i frontstilling, løses datamaskinen ut fra forankringsstasjonen. Skyv utløser-/låsespaken til den bakre stillingen hvis du vil bruke sikkerhetshengelåsen og sikkerhetslåsesporet.
- Datamaskinen festes til forankringsstasjonen med en fjærlås foran på stasjonen som passer inn i et sikkerhetsspør på undersiden av datamaskinen. Ikke alle Dell-datamaskiner har sikkerhetssporet.
- En sikret utløserknapp på mediebrønnen som blokkerer for fjerning av enheter i mediebrønnen.
- Et ubevegelig låsehåndtak som hindrer uautorisert fjerning av datamaskinen.

Sikre C/Port II APR

Bruk én av følgende metoder for å sikre forankringsstasjonen:

- Bruk en hengelås alene, eller en hengelås og en sikkerhetskabel i løkke sammen med hengelåssporet (se "Kontroller og indikatorer for forankringsstasjonen") på forankringsstasjonen.

En hengelås alene blokkerer utløserpaken og gjør det vanskelig å kople datamaskinen fra forankringsstasjonen.

En sikkerhetskabel som legges i løkke rundt en stasjonær gjenstand og brukes i forbindelse med hengelåsen, kan bidra til å hindre uautorisert flytting av datamaskinen og C/Port II APR.

- Fest en kommersielt tilgjengelig enhet for innbruddssikring til sporet for sikkerhetslåsen (se "Kontroller og indikatorer for forankringsstasjonen") på forankringsstasjonen.

Enheter for innbruddssikring omfatter vanligvis en bit metalltrådet ledning og en tilhørende låseenhet og nøkkel. Dell anbefaler deg å bruke en Kensington-lås. Hvis du vil vite hvordan du installerer denne typen utstyr for innbruddssikring, kan du se dokumentasjonen som ble levert med enheten.

Dell-feilsøking

Dell-feilsøkingsprogramvaren som ble levert med Dell Latitude-datamaskinen, inneholder tester som hjelper deg å utføre feilsøking på kontrollene i forankringsstasjonen.

Deltestene i **nettverksgrensesnitt**-testgruppen i Dell-feilsøkingsprogramvaren sjekker de grunnleggende funksjonene i nettverkskontrolleren i forankringsstasjonen. Disse tester kontrollerer interne funksjoner, inkludert lese- og skrivegang til registre og intern sende- og mottaksmulighet (tilbakekopling).

Deltestene i **serie/infrarød port**-testgruppen kontrollerer forankringsstasjonens grensesnitt med eksterne enheter (for eksempel en seriell mus eller en skriver). Deltestene i denne testgruppen er ikke ment å være en diagnostetest for selve den eksterne enheten.

Deltestene i USB-testgruppen kontrollerer forankringsstasjonens grensesnitt med eksterne enheter (for eksempel en mus). Deltestene i denne testgruppen er ikke ment å være en diagnostetest for selve den eksterne enheten.

Hvis du vil ha fullstendige instruksjoner om bruk av Dell-feilsøking, kan du se *brugerhåndboken* på datamaskinen.

Tekniske spesifikasjoner

Tekniske spesifikasjoner

Fysisk

Høyde:

Med skjermstativ 10,2 cm

Frittstående 5,8 cm

Dybde:

Med skjermstativ 39,0 cm

Frittstående 35,8 cm

Bredde:

Med skjermstativ 40,9 cm

Frittstående 37,5 cm

Vekt:

Med skjermstativ 3,0 kg

Frittstående 1,6 kg

Strøm

Inngang for vekselstrømadapter:

Spenning 100–200 V AC, 50–60 Hz

Strømstyrke 1,5 A

APRII-inngang:

Spenning krever 20 V DC fra vekselstrømadapter

Strømstyrke 3,5 A

Tekniske spesifikasjoner

I/U

Seriell (DTE)	16550-kompatibel, 16 byte bufferkontakt
Parallell	enveis, toveis eller ECP-kontakt
PS/2	to mini-DIN-kontakter
USB	to USB-kompatible kontakter
Infrarød	infrarød sensor kompatibel med IrDA-standarder 1.1 (Fast IR) og 1.0
Lydlinje ut	lydkontakt (for valgfrie hodetelefoner)
Video	én kontakt
Nettverk	én RJ45-kontakt
Forankring (for tilkopling til datamaskin)	én kontakt

Ethernet Network Controller

Brikkesett	3Com® 3C920; 10/100 BASE-TX (PC99-kompatibel)
Databussbredde	32 bits PCI-vertsbussgrensesnitt
IRQ	IRQ10

Informasjon om sikkerhet og EMC: Bærbare datamaskiner

Følgende informasjon definerer betydningen av *ytterligere* symboler som *bare* brukes i informasjonen om sikkerhet og elektromagnetisk kompatibilitet (EMC - Electromagnetic Compatibility).



Eksplosjonsfare



Fly



Brannfare



Det kan være forbudt å bruke denne funksjonen ombord et fly



Fare for elektrisk støt



Sikkerhetsinstruksjoner

Generelt

- Plasser APR-enheten på et vannrett underlag når du skal bruke den.
- Ikke forsøk å reparere APR-enheten selv, med mindre du er autorisert servicetekniker. Følg alltid installasjonsinstruksjonene nøye.
- Hvis du bruker en forlengelsesledning sammen med strømadapteren, må du kontrollere at det totale ampere-nivået for produktene som er tilkoblet forlengelsesledningen, ikke overstiger ampere-angivelsen for selve forlengelsesledningen.



- Objekter må ikke dyttes inn i lufttehull eller andre åpninger i maskinen. Dette kan føre til brann eller elektrisk støt ved at interne komponenter kortsluttes.



- Plasser vekselstrømadapteren på et godt ventilert sted, f.eks. på en pult eller på gulvet, når du bruker den til å kjøre datamaskinen eller lade batteriet. Dekk ikke strømadapteren med papir eller andre gjenstander som kan føre til redusert avkjøling. Du må heller ikke bruke vekselstrømadapteren i en bæreseske.



- Maskinen må ikke brukes i våte omgivelser, for eksempel i nærheten av et badekar, en vask eller et svømmebasseng, eller i et vaskerom.



- For å unngå den potensielle faren for elektrisk støt bør du ikke koble til eller fra kabler eller utføre vedlikehold eller rekonfigurasjon på dette produktet i tordenvær. Ikke bruk datamaskinen under tordenvær med mindre alle kabler er koblet fra og datamaskinen går på batteristrøm.
- Bruk bare den vekselstrømadapteren og de batteriene som er godkjent for bruk med denne APR-enheten, slik det er beskrevet i dette dokumentet. Bruk av en annen type batterisett eller strømadapter medfører brann- og eksplosjonsfare.
- Før du rengjør forankringsstasjonen, må du slå den av og trekke vekselstrømadapteren ut av stikkontakten. Rengjør forankringsstasjonen med en myk klut fuktet med vann. Ikke bruk flytende eller aerosolbaserte rensmidler, som kan inneholde brennbare stoffer.



Strøm (Sikkerhetsinstruksjoner)



- Du må bare bruke den vekselstrømadapteren som leveres av Dell, og som er godkjent for bruk med denne APR-enheten. Bruk av andre strømadaptere kan føre til brann eller eksplosjon.
- Før du kople APR-enheten til en stikkontakt, må du kontrollere spenningsklassifikasjonen for å sikre at den nødvendige spenningen og frekvensen tilsvarer den tilgjengelige strømkilden.
- Strømmen til datamaskinen koples fra ved at du slår av datamaskinen og trekker vekselstrømadapteren ut av stikkontakten.



- For å unngå elektrisk støt, er det viktig at strømledningene til vekselstrømadapteren og eksterne enheter kobles til en strømkilde som er forskriftsmessig jordnet. Disse kablene kan være utstyrt med tre pinner plugger for å sikre ordentlig jording. Ikke bruk adapterstøpsler eller fjern jordingskontakten fra strømkabelen. Hvis du bruker en forlengelsesledning, må du bruke riktig type, to pinner eller tre pinner, slik at den stemmer overens med strømadapterkabelen.
- Kontroller at ingen gjenstander hviler på strømkablene til vekselstrømadapteren, og at kablene ikke ligger slik til at noen kan trække på eller snuble i dem.



- Hvis du bruker en forgreningskontakt, må du være forsiktig når du kople strømkabelen på vekselstrømadapteren til forgreningskontakten. Enkelte forgreningskontakter er utformet slik at det er mulig å sette i kontakten feil. Hvis du setter i kontakten på feil måte, kan dette resultere i permanent skade på datamaskinen, samt fare for elektrisk støt og/eller brann. Kontroller at jordingspinnen i kontakten settes inn i tilsvarende jordingskontakt i forgreningskontakten.

Spesielle bestemmelser

EMI (Electromagnetic Interference [Elektromagnetiske forstyrrelser]) viser til alle signaler eller all utstråling som slippes rett ut eller følger strøm- eller signalledninger. Disse forstyrrer radiobølger eller andre sikkerhetstjenester, eller forringer, blokkerer eller gir gjentatte forstyrrelser på en radiokommunikasjonstjeneste med lisens. Radiokommunikasjonstjenester inkluderer, men er ikke begrenset til, kommersiell kringkasting via AM/FM-nettet, fjernsyn, mobiltjenester, radar, lufttrafikkstyring, personsøking og personlige kommunikasjonstjenester. Disse tjenestene med lisens, sammen med utstyr som sender ut utilsiktet stråling, som f.eks. digitalt utstyr, inkludert datamaskiner, bidrar til det elektromagnetiske miljøet.

Elektromagnetisk kompatibilitet (EMC) er den evnen som komponenter i elektronisk utstyr har til å fungere feilfritt i det elektroniske miljøet. Selv om denne datamaskinen er konstruert og funnet å være i samsvar med begrensninger i offentlige bestemmelser for EMI, er det ingen garanti for at det ikke forekommer forstyrrelser i en bestemt installasjon. Hvis dette utstyret faktisk forårsaker interferens i forhold til radiokommunikasjonstjenester, noe som kan fastslås ved å slå utstyret av og på, oppfordrer vi deg til å prøve å utbedre interferensen på en av følgende måter:

- Endre retningen på mottakerantennen.
- Endre plasseringen av datamaskinen i forhold til mottakeren.
- Flytte datamaskinen bort fra mottakeren.
- Koble datamaskinen til et annet strømuttak slik at datamaskinen og mottakeren er på forskjellige kretser.

Ta eventuelt kontakt med en representant for teknisk støtte hos Dell eller en erfaren radio/fjernsynstekniker hvis du vil ha flere forslag.

Datamaskiner fra Dell er konstruert, testet og klassifisert for det elektromagnetiske miljøet de er beregnet på. Denne klassifikasjonen av elektromagnetiske miljøer tar vanligvis utgangspunkt i følgende harmoniserte definisjoner:

- Klasse A er vanlig for forretnings- eller industrimiljøer.
- Klasse B er vanlig for boligstrøk.

ITE-utstyr (Information Technology Equipment), inkludert enheter, utvidelseskort, skrivere, inngangs-/utgangsenheter (I/U-enheter), skjermer osv. som er integrert i eller koplet til datamaskinen, skal samsvare med datamaskinens klassifisering for elektromagnetisk miljø.

Merknad om skjermede signalkabler: Bruk bare skjermede kabler ved tilkopling av enheter til Dell-utstyr for å redusere muligheten for forstyrrelser på radiokommunikasjonstjenester. Bruk av skjermede kabler sikrer at du opprettholder korrekt EMC-klassifisering for det miljøet maskinen skal brukes i. Kabler til parallelle skrivere er tilgjengelig fra Dell. Kablene kan også bestilles fra Dell på World Wide Web på <http://accessories.us.dell.com/>.

De fleste datamaskiner fra Dell er klassifisert for klasse B-miljøer. Imidlertid kan klassifiseringen endres til klasse A for noen konfigurasjoner hvis enkelte typer tilbehør inkluderes. Hvis du vil avgjøre hvilken elektromagnetisk klassifisering datamaskinen eller enheten hører inn under, kan du se følgende avsnitt med informasjon som er spesifikk for de forskjellige reguleringsmyndighetene. Hvert avsnitt inneholder spesifikke EMC/EMI-bestemmelser eller sikkerhetsopplysninger om produktet for hvert land.

CE-merknad (Den europeiske union)

Merking med symbolet **CE** angir at denne Dell-datamaskinen overholder EMC-direktivet og EU-direktivet for lavspenning.

Denne merkingen indikerer at dette Dell-produktet er i samsvar med følgende tekniske standarder:

- EN 55022 - "Informasjonsteknologisk utstyr - Radiostøyegenskaper - Grenseverdier og målemetoder."
- EN 55024 - "Informasjonsteknologisk utstyr - Immunitetsegenskaper - Grenseverdier og målemetoder."
- EN 61000-3-2 — "Elektromagnetisk kompatibilitet (EMC) - Del 3: Grenseverdier - Del 2: Grenseverdier for utsendelse av harmoniske strømmer (Utstyr med inngangsstrøm opp til og med 16 A per fase)."
- EN 61000-3-3 — "Elektromagnetisk kompatibilitet (EMC) - Del 3: Grenseverdier - Del 3: Grenseverdier vedrørende spenningsfluktuasjoner og flimmer i lavspennings tilførselssystemer for utstyr med inngangsstrøm ikke overskridende 16 A."

- EN 60950 - "Sikkerhetskrav til informasjonsteknologisk utstyr inklusive elektriske kontormaskiner."



OBS! Strålingskravene i EN 55022 innebærer to klassifikasjoner:

- Klasse A gjelder typisk forretningsmessige områder.
- Klasse B gjelder typiske boligområder.

Denne Dell-enheten er klassifisert for bruk i et typisk boligområde i klasse B.

Det er opprettet en "konformitetserklæring" i henhold til foregående direktiver og standarder som er arkivert hos Dell Computer Corporation Products Europe BV, Limerick, Irland.

Overensstemmelse med EN 55022 (bare Tsjekkia)

Denne enheten hører inn under klasse-B-enheter som beskrevet i EN 55022, med mindre det spesifikt er angitt på spesifikasjonsetiketten at enheten tilhører klasse-A. Følgende gjelder enheter i klasse-A for EN 55022 (verneradius opp til 30 meter). Brukeren av enheten må gjøre alt som kreves for å fjerne kilder til interferens på telekommunikasjonsenheter eller andre enheter.

Pokud není na typovém štítku počítače uvedeno, že spadá do třídy A podle EN 55022, spadá automaticky do třídy B podle EN 55022. Pro zařízení zařazená do třídy A (ochranné pásmo 30m) podle EN 55022 platí následující. Dojde-li k rušení telekomunikačních nebo jiných zařízení, je uživatel povinen provést taková opatření, aby rušení odstranil.

Merknad fra det polske senteret for testing og sertifisering

Utstyret bør hente strøm fra en kontakt med en tilknyttet vernekrets (en tre pinner kontakt). Alt utstyr som fungerer sammen (datamaskin, skjerm, skriver og så videre) bør ha den samme strømtilførselskilden.

Faselederen for rommets elektriske installasjon bør ha en ekstra kortslutningsbeskyttelse i form av en sikring med en nominell verdi som ikke er større enn 16 ampere (A).

For å slå utstyret helt av, må strømtilførselskabelen fjernes fra strømuttaket, som bør plasseres i nærheten av utstyret og være lett tilgjengelig.

Et vernemerke "B" bekrefter at utstyret er i overensstemmelse med beskyttelseskravene for bruk i standardene PN-93/T-42107 og PN-EN 55022: 1996.

Wymagania Polskiego Centrum Badań i Certyfikacji

Urządzenie powinno być zasilane z gniazda z przyłączonym obwodem ochronnym (gniazdo z kołkiem). Współpracujące ze sobą urządzenia (komputer, monitor, drukarka) powinny być zasilane z tego samego źródła.

Instalacja elektryczna pomieszczenia powinna zawierać w przewodzie fazowym rezerwową ochronę przed zwarciami, w postaci bezpiecznika o wartości znamionowej nie większej niż 16A (amperów).

W celu całkowitego wyłączenia urządzenia z sieci zasilania, należy wyjąć wtyczkę kabla zasilającego z gniazdka, które powinno znajdować się w pobliżu urządzenia i być łatwo dostępne.

Znak bezpieczeństwa "B" potwierdza zgodność urządzenia z wymaganiami bezpieczeństwa użytkownika zawartymi w PN-93/T-42107 i PN-EN 55022:1996.

Jeżeli na tabliczce znamionowej umieszczono informację, że urządzenie jest klasy A, to oznacza to, że urządzenie w środowisku mieszkalnym może powodować zakłócenia radioelektryczne. W takich przypadkach można żądać od jego użytkownika zastosowania odpowiednich środków zaradczych.

Pozostałe instrukcje bezpieczeństwa

- Nie należy używać wtyczek adapterowych lub usuwać kołka obwodu ochronnego z wtyczki. Jeżeli konieczne jest użycie przedłużacza to należy użyć przedłużacza 3-żyłowego z prawidłowo połączonym przewodem ochronnym.
- System komputerowy należy zabezpieczyć przed nagłymi, chwilowymi wzrostami lub spadkami napięcia, używając eliminatora przepięć, urządzenia dopasowującego lub bezzakłócenowego źródła zasilania.
- Należy upewnić się, aby nic nie leżało na kablach systemu komputerowego, oraz aby kable nie były umieszczone w miejscu, gdzie można byłoby na nie nadeptywać lub potykać się o nie.
- Nie należy rozlewać napojów ani innych płynów na system komputerowy.
- Nie należy wpychać żadnych przedmiotów do otworów systemu komputerowego, gdyż może to spowodować pożar lub porażenie prądem, poprzez zwarcie elementów wewnętrznych.
- System komputerowy powinien znajdować się z dala od grzejników i źródeł ciepła. Ponadto, nie należy blokować otworów wentylacyjnych. Należy unikać kładzenia luźnych papierów pod komputer oraz umieszczania komputera w ciasnym miejscu bez możliwości cyrkulacji powietrza wokół niego.

Merknad om CE-merket

Dette utstyret oppfyller kravene til det europeiske direktivet 1999/5/EC.

Zaawansowany replikator portów Dell™ Latitude™ C/Port II

Przewodnik - informacje o systemie

Uwagi, przypomnienia i ostrzeżenia

 **UWAGA:** UWAGA wskazuje ważną informację, pozwalającą lepiej wykorzystać posiadany system komputerowy.

 **PRZYPOMNIENIE:** Sekcja PRZYPOMNIENIE informuje o sytuacjach, w których występuje ryzyko uszkodzenia sprzętu lub utraty danych i przedstawia sposoby uniknięcia problemu.

 **OSTROŻNIE:** Sekcja OSTROŻNIE informuje o sytuacjach, w których występuje ryzyko uszkodzenia sprzętu, uszkodzenia ciała lub śmierci.

Informacje zawarte w tym dokumencie mogą ulec zmianie bez uprzedzenia.

© 2001 Dell Computer Corporation. Wszelkie prawa zastrzeżone.

Powielanie w jakikolwiek sposób bez pisemnego zezwolenia od firmy Dell Computer Corporation jest surowo zabronione.

Znaki towarowe użyte w tekście: *Dell*, logo *DELL*, *Latitude* i *DellWare* są znakami towarowymi firmy Dell Computer Corporation; *3Com* jest znakiem towarowym firmy 3Com Corporation; *Microsoft*, *Windows* i *Windows NT* są zastrzeżonymi znakami towarowymi firmy Microsoft Corporation.

Tekst może zawierać także inne znaki towarowe i nazwy towarowe, odnoszące się do podmiotów posiadających prawa do tych znaków i nazw lub do ich produktów. Firma Dell Computer Corporation nie rości sobie praw do jakichkolwiek znaków towarowych i nazw towarowych, których nie jest prawnym właścicielem.

Produkt ten zawiera technologię ochrony praw autorskich, wykorzystującą pewne rozwiązania opatentowane w USA oraz podlegające innym prawom o ochronie dóbr intelektualnych, które są własnością firmy Macrovision Corporation i innych prawnych właścicieli. Korzystanie z niniejszej technologii ochrony praw autorskich musi być autoryzowane przez firmę Macrovision Corporation. Ponadto jest ona przeznaczona jedynie do użytku domowego i innych ograniczonych zastosowań, chyba że autoryzacja firmy Macrovision Corporation stanowi inaczej. Przetwarzanie wsteczne i deasemblacja są zabronione.

Zaawansowany replikator portów Dell™ Latitude™ C/Port II

Przewodnik - informacje o systemie

Niniejszy dokument zawiera informacje na temat rozpoczynania pracy, zasad bezpieczeństwa, zgodności z normami oraz gwarancji dotyczących zaawansowanego replikatora portów (ZRP) Dell Latitude C/Port II. Zawiera on także informacje o innych dostępnych dokumentach firmy Dell oraz o sposobie ich uzyskania.

Inne dostępne dokumenty

- Aktualizacje dokumentacji, które dołączone są czasami do urządzenia dokującego, opisujące zmiany dokonane w urządzeniu dokującym lub oprogramowaniu. Należy zawsze przeczytać te aktualizacje *przed* korzystaniem z dowolnej dokumentacji, ponieważ często zawierają najnowsze informacje.
- Dokumentacja dołączona do opcjonalnych składników, które są kupowane oddzielnie. Zawiera ona informacje potrzebne do konfiguracji i instalacji składników opcjonalnych w urządzeniu dokującym.

Uzyskiwanie Pomocy

Firma Dell oferuje szereg narzędzi, mających na celu pomoc w przypadku, gdy urządzenie dokujące nie funkcjonuje zgodnie z oczekiwaniami. Informacje na temat tych narzędzi znajdują się w sekcji „Uzyskiwanie Pomocy” w *Podręczniku użytkownika* tego komputera.

Opis urządzenia dokującego

 **UWAGA:** Powiadom administratora sieci zanim podłączysz urządzenie dokujące do sieci.

Przed zadokowaniem komputera do urządzenia dokującego i jego włączeniem należy przyłączyć zasilacz do urządzenia dokującego. Zasilacz równocześnie zasila urządzenie dokujące i komputer. Gdy wykorzystywane jest urządzenie dokujące, następuje ładowanie dowolnego zainstalowanego akumulatora.

PRZYPOMNIENIE: Należy zawsze używać zasilacza Dell PA-6, który jest dołączony do urządzenia dokującego. Jeżeli wykorzystywany jest inny zasilacz dostępny na rynku lub zasilacz dołączany do starszych modeli komputerów firmy Dell, istnieje prawdopodobieństwo uszkodzenia urządzenia dokującego lub komputera.

Panel we/wy urządzenia dokującego

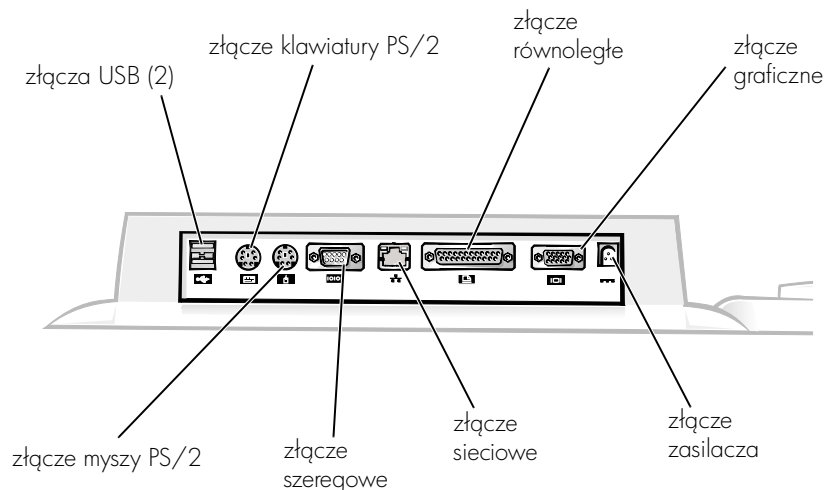










Tabela „Zewnętrzne złącza we/wy” przedstawia ikony każdego złącza znajdującego się na tylnej części ZRP i wskazuje typ urządzenia(-eń) zewnętrznego(-ych), które mogą być podłączone do danego złącza.

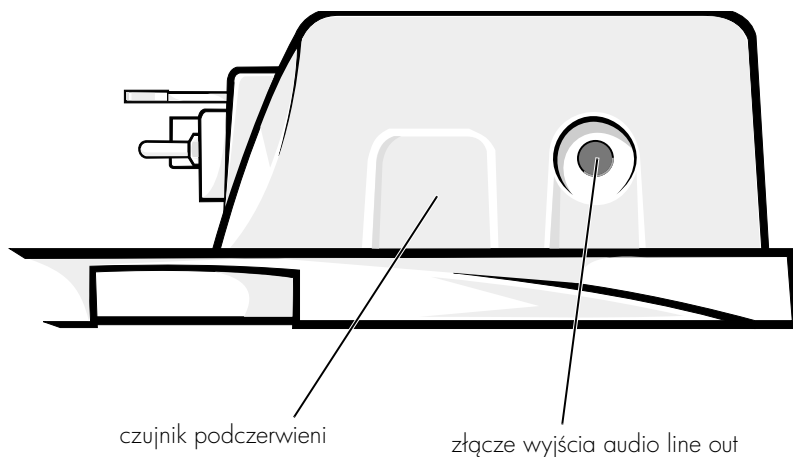
Zewnętrzne złącza we/wy

Ikona złącza	Opis złącza
	Jedno lub dwa urządzenia USB, takie jak mysz USB, podłączone są do podwójnego złącza USB.
	Zewnętrzna klawiatura zgodna z PS/2 lub zewnętrzna klawiatura numeryczna podłączone są do złącza klawiatury PS/2.

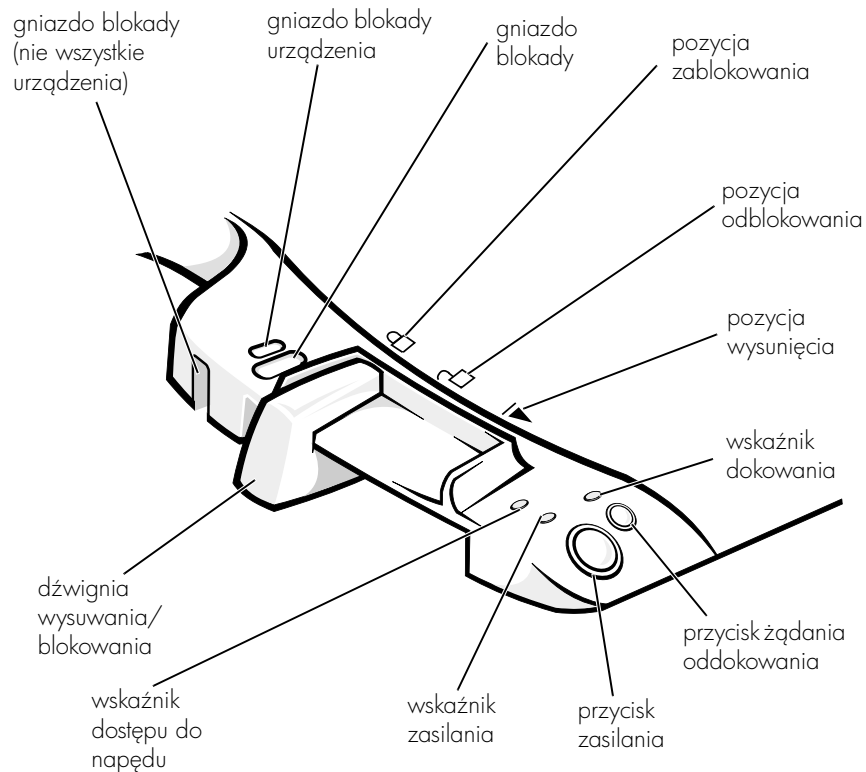
Zewnętrzne złącza we/wy

	Zewnętrzna mysz zgodna z PS/2 podłączana jest do złącza myszy PS/2.
	Urządzenie szeregowe, takie jak mysz lub modem zewnętrzny podłączane jest do złącza szeregowego.
	Kabel interfejsu sieciowego podłączany jest do złącza NIC.
	Urządzenie równoległe, takie jak drukarka, podłączane jest do złącza portu równoległego.
	Zewnętrzny monitor podłączany jest do złącza graficznego.
	Zasilacz dostarczony z zaawansowanym replikatorem portów podłączany jest do złącza zasilacza.

Złącza audio i czujnik podczerwieni



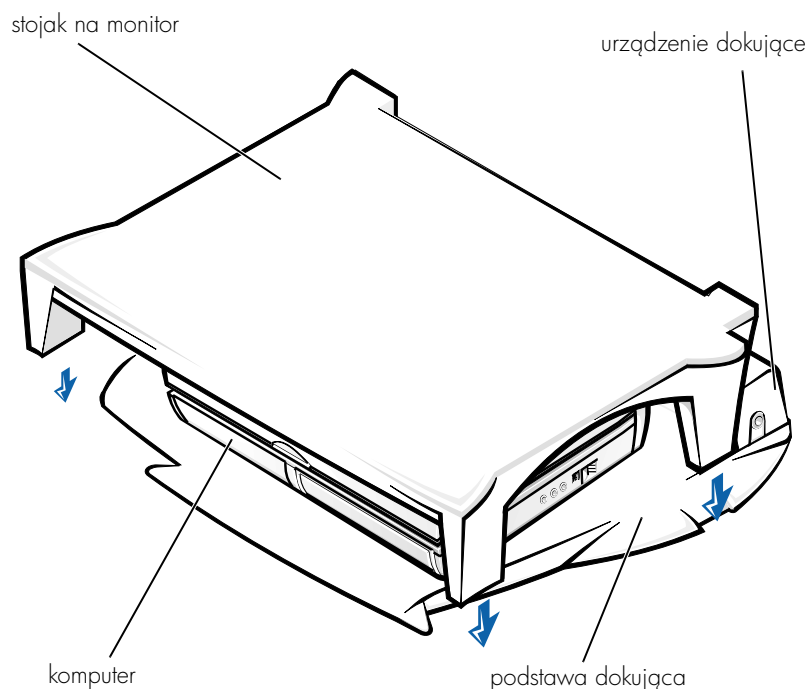
Elementy i wskaźniki podstawy dokującej



Stojak na monitor

- ➔ **PRZYPOMNIENIE:** Na stojaku można umieszczać monitory ważące do 45,3 kilograma (kg) (100 funtów [lb]). Cięższe monitory mogą uszkodzić stojak, komputer i urządzenie dokujące.

Urządzenie dokujące ze stojakiem na monitor



UWAGA: Należy upewnić się, że tylne nogi stojaka na monitor są dopasowane do gniazda po obu stronach urządzenia dokującego.

Przed dokowaniem komputera

W przypadku komputerów z systemem Microsoft® Windows® 9x, Windows NT® lub Windows Millennium (Me), należy najpierw sprawdzić, czy na komputerze zostały zainstalowane sterowniki urządzeń dokujących. Jeśli na komputerze nie zainstalowano sterowników urządzeń dokujących, należy je zainstalować przed pierwszym dokowaniem komputera. Aby zainstalować sterowniki urządzeń dokujących, wykonaj czynności opisane w sekcji „Instalacja sterowników urządzeń dokujących”.



UWAGA: W przypadku komputerów z systemem Windows XP lub Windows 2000, sterowniki są instalowane automatycznie i nie trzeba wykonywać czynności opisanych w sekcji „Instalacja sterowników urządzeń dokujących”. Przejdź do sekcji „Dokowanie komputera”.

Sprawdzanie, czy na komputerze zainstalowane zostały sterowniki urządzeń dokujących

- 1 Kliknij dwukrotnie ikonę **Mój komputer**.
- 2 Kliknij dwukrotnie **Panel sterowania**.
- 3 Kliknij dwukrotnie ikonę **Dodaj/Usuń programy**.
- 4 Na liście programów odszukaj właściwe sterowniki urządzeń dokujących.

*W przypadku systemu Windows 9x i Windows Me, odszukaj sterownik, którego nazwa zawiera **Quick Install**. Na przykład: Dell Dock Quick Install for Windows.*

*W przypadku systemu Windows NT, odszukaj pozycję **NT Softex Docking Services**.*

Jeżeli na komputerze nie zainstalowano sterowników urządzeń dokujących, przejdź do następnego sekcji „Instalacja sterowników urządzeń dokujących”. Jeśli na komputerze zainstalowano sterowniki urządzeń dokujących, przejdź do sekcji „Dokowanie komputera”.

Instalacja sterowników urządzeń dokujących

Sterowniki urządzeń dokujących można zainstalować, korzystając z jednej z poniższych metod:

- Zainstalować sterowniki z dysku CD *ResourceCD* lub dysku CD *Drivers and Utilities* dostarczonego z komputerem lub z urządzeniem dokującym.
- Pobrać sterowniki z witryny sieci Web pomocy technicznej firmy Dell.

Instalacja sterowników urządzeń dokujących z dysku *ResourceCD* lub *Drivers and Utilities*

- 1 Włóż dysk *ResourceCD* lub *Drivers and Utilities* do napędu CD.

W większości przypadków dysk CD powinien uruchomić się automatycznie. Jeśli tak się nie stanie, to uruchom program Eksplorator Windows, kliknij katalog napędu CD-ROM, aby wyświetlić zawartość dysku CD, a następnie kliknij dwukrotnie plik **autorcd**. Gdy zostanie wyświetlony ekran powitalny, kliknij przycisk **Next** (Dalej).

Przy pierwszym uruchomieniu dysku CD może zostać wyświetlony monit o instalację kilku plików konfiguracyjnych. Kliknij przycisk **OK**, a następnie postępuj według instrukcji wyświetlanych na ekranie.

- 2 Z menu rozwijanego **Language** (Język) na pasku narzędzi wybierz język sterownika (jeśli jest dostępny).

Zostanie wyświetlony ekran powitalny.

- 3 Kliknij przycisk **Dalej**.

- 4 W opcjach **Search Criteria** (Kryteria wyszukiwania) wybierz odpowiednie kategorie w menu rozwijanych **System Model** (Model systemu) i **Operating System** (System operacyjny).

*W przypadku komputerów z systemem Windows 9x lub Windows Me, z menu rozwijanego **Device Type** (Typ urządzenia) wybierz System Utilities (Narzędzia systemowe), a następnie wybierz **Drivers** (Sterowniki) z menu **Topic** (Temat).*

*W przypadku komputerów z systemem Windows NT, z menu rozwijanego **Device Type** (Typ urządzenia) wybierz System Utilities (Narzędzia systemowe), a następnie wybierz **Utilities** (Narzędzia) z menu **Topic** (Temat).*

Wyświetlone zostanie łącze (łącza) do określonego sterownika lub programu narzędziowego używanego przez komputer.

- 5 *W przypadku komputerów z systemem Windows 9x lub Windows Me, kliknij łącze programu narzędziowego **Dell Dock Quick Install**.*

Plik **Dell Dock Quick Install** jest programem narzędziowym, który instaluje na komputerze wymagane sterowniki urządzeń dokujących.

*W przypadku komputerów z systemem Windows NT, kliknij łącze **Softex Docking Services**.*

- 6 Kliknij przycisk **Install** (Instaluj), aby rozpocząć automatyczną instalację. Aby dokończyć instalację, postępuj według instrukcji wyświetlanych na ekranie.



UWAGA: Niektóre dyski ResourceCD mogą wymagać od użytkownika poruszania się po folderach w celu znalezienia prawidłowego sterownika. Dokładne instrukcje na temat ponownej instalacji sterowników znajdują się w *Przewodniku użytkownika*.

Instalacja sterowników urządzeń dokujących z witryny sieci Web pomocy technicznej firmy Dell

- 1 Przejdź do witryny sieci Web pomocy technicznej firmy Dell pod adresem <http://support.dell.com>. Jeżeli odwiedzasz tę witrynę po raz pierwszy, kliknij mapę, aby wybrać swój kraj.

Zostanie wyświetlona strona **Welcome to support.dell.com** (Witamy na stronie support.dell.com).

- 2 Wpisz informacje o urządzeniu dokującym, a następnie kliknij przycisk **Go!**

Kliknij pozycję **Pliki do pobrania**.

Zostanie wyświetlone okno **Pliki do pobrania** zawierające krótki formularz do wypełnienia.

- 3 Wpisz numer znacznika usługi lub wybierz posiadany model komputera firmy Dell.
- 4 Wybierz system operacyjny oraz język ustawiony dla systemu operacyjnego.
- 5 Wybierz kategorię **System and Configuration Utilities** (Narzędzia systemowe i konfiguracyjne).
- 6 Kliknij przycisk **Go!** (Uruchom).
- 7 *W przypadku komputerów z systemem Windows 9x lub Windows Me, odszukaj i kliknij łącze programu narzędziowego **Dell Dock Quick Install**.*

*W przypadku komputerów z systemem Windows NT, odszukaj i kliknij łącze **Softex Docking Services**.*

- 8 Aby pobrać i zainstalować wymagane sterowniki, postępuj zgodnie z instrukcjami wyświetlanymi na ekranie.
- 9 Po pobraniu plików a przed instalacją sterowników, należy przeczytać plik **readme.txt** zawierający ważne informacje dotyczące instalacji. Znajduje się on wśród pobranych plików.

Dokowanie komputera

Jeżeli monitor zostanie przyłączony do urządzenia dokującego, a następnie włączony, na ekranie będzie wyświetlany obraz z wyświetlacza. Aby wyświetlić obraz na wyświetlaczu komputera lub jednocześnie na monitorze i wyświetlaczu komputera, naciśnij klawisze <Fn><F8>.

Po zadokowaniu komputera do urządzenia dokującego i włączeniu komputera na podstawie dokującej zapali się zielona lampka zasilania (patrz „Elementy sterujące i wskaźniki”).

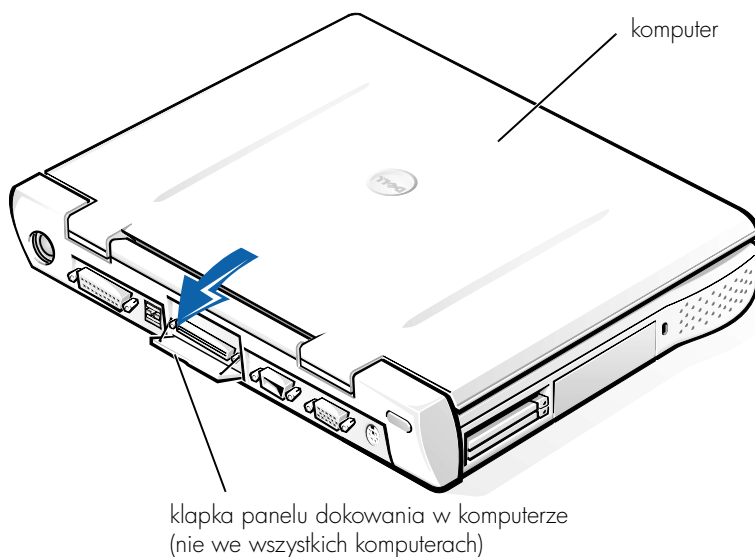
➔ **PRZYPOMNIENIE:** Aby uniknąć utraty danych, przed zadokowaniem komputera zapisz wszystkie otwarte pliki.

1 Zapisz wszystkie pliki, zamknij wszystkie aplikacje, zamknij system operacyjny i wyłącz komputer.

➔ **PRZYPOMNIENIE:** Aby uniknąć uszkodzenia złącza dokowania, otwórz kłapkę panelu dokowania zanim podejmiesz próbę zadokowania komputera do urządzenia dokującego.

2 Jeśli panel dokowania komputera jest zabezpieczony kłapką, otwórz kłapkę panelu dokowania z tyłu komputera.

Kłapka panelu dokowania w komputerze

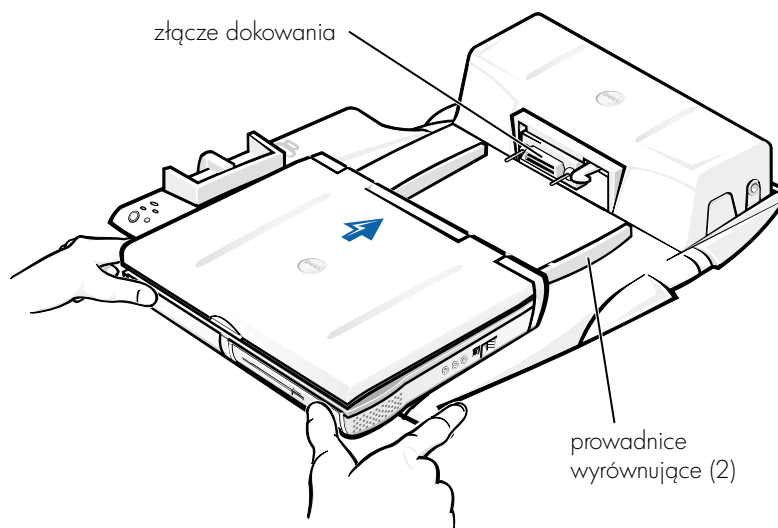


3 Jeżeli używasz urządzenia dokującego ze stojakiem na monitor, zamknij wyświetlacz komputera.

4 Upewnij się, że dźwignia wysuwania/blokowania znajduje się w pozycji odblokowanej.

5 Zadokuj komputer do urządzenia dokującego w następujący sposób:

Dokowanie komputera




- a Umieść komputer poziomo na środku podstawy zaawansowanego replikatora portów, tyłem do złącza dokowania urządzenia dokującego, tak jak jest to przedstawione w sekcji „Dokowanie komputera”.
- b Przesuń komputer w stronę złącza do momentu aż prowadnice wyrównujące wsuną się do rowków na spodzie komputera.

- ➔ **PRZYPOMNIENIE:** Jeśli podejmiesz próbę wepchnięcia komputera do zaawansowanego replikatora portów bez wsuwania do prowadnic wyrównujących, istnieje prawdopodobieństwo trwałego uszkodzenia złącza dokowania w komputerze.
 - ➔ **PRZYPOMNIENIE:** Nie należy oddzielnie podnosić komputera ani urządzenia dokującego, kiedy są one ze sobą połączone, ponieważ może to spowodować uszkodzenie złącza komputera i urządzenia dokującego.
 - ➔ **PRZYPOMNIENIE:** Jeśli używasz monitora wraz ze stojakiem, zdejmij monitor ze stojaka przed umieszczeniem podstawy dokującej we właściwym miejscu.
- c Delikatnie popchnij komputer do przodu aż do całkowitego połączenia ze złączem dokującym.

Pierwsze dokowanie w systemie Windows XP i Windows 2000

- 1 Zadokuj i włącz komputer.
- 2 Podczas procedury rozruchu systemu, naciśnij klawisz <F2>, aby przejść do programu konfiguracji systemu.
- 3 Ustaw pozycję **Docking IRQ** (Przerwanie dokowania) na **Optimized** (Zoptymalizowane).
- 4 Ustaw **Universal Connect** (Połączenie uniwersalne) na **Enabled** (Włączone).
- 5 Zamknij program konfiguracji systemu.
Komputer będzie kontynuował proces rozruchowy.

W systemie Windows 2000 zostanie wyświetlony **Kreator dodawania nowego sprzętu**.

 **UWAGA:** W przypadku komputerów z systemem Windows XP, system operacyjny automatycznie instaluje sterowniki. W przypadku komputerów z systemem Windows 2000, sterowniki automatycznie zainstaluje **Kreator dodawania nowego sprzętu**.

Pierwsze dokowanie w systemie Windows Me

- 1 Zadokuj i włącz komputer.
- 2 Podczas procedury rozruchu systemu, naciśnij klawisz <F2>, aby przejść do programu konfiguracji systemu.
- 3 Ustaw pozycję **Docking IRQ** (Przerwanie dokowania) na **Optimized** (Zoptymalizowane).
- 4 Ustaw **Universal Connect** (Połączenie uniwersalne) na **Enabled** (Włączone).
- 5 Zamknij program konfiguracji systemu.
Komputer będzie kontynuował proces rozruchowy.
Zostanie wyświetlony **Kreator dodawania nowego sprzętu**.
- 6 Wybierz opcję **Wyszukać najlepszy sterownik dla tego urządzenia (zalecane)** i kliknij przycisk **Dalej**.
- 7 Kliknij przycisk **Dalej**.

- 8 Postępuj według instrukcji **kreatora dodawania nowego sprzętu**.
- 9 Po wyświetleniu monitu, wybierz opcję **Wyszukać najlepszy sterownik dla tego urządzenia (zalecane)** i kliknij przycisk **Dalej**.
- 10 Aby zakończyć instalację, postępuj zgodnie z wyświetlanymi instrukcjami.
Zostanie wyświetlony pulpit systemu Windows i instalacja będzie zakończona.

Pierwsze dokowanie w systemie Windows NT 4.0

- 1 Zadokuj i włącz komputer.
- 2 Aby wyświetlić program konfiguracji systemu, naciśnij <F2> podczas procedury rozruchowej systemu lub <Fn><F1> po zakończeniu rozruchu komputera.
- 3 Ustaw pozycję **Docking IRQ** (Przerwanie dokowania) na **Optimized** (Zoptymalizowane).
- 4 Ustaw **Universal Connect** (Połączenie uniwersalne) na **Enabled** (Włączone).
- 5 Zamknij program konfiguracji systemu.
- 6 Naciśnij klawisze <Ctrl><Alt>, aby się zalogować.
Zostanie wyświetlone okno **Docking Station Setup** (Konfiguracja stacji dokującej) informujące, że komputer musi zostać oddokowany, aby była możliwa kontynuacja logowania.
- 7 Kliknij przycisk **OK** i poczekaj, aż komputer zostanie wyłączony.
- 8 Oddokuj komputer (patrz „Oddokowywanie komputera”).
Nastąpi automatyczne ponowne uruchomienie komputera. Jeśli tak się nie stanie, włącz komputer.
- 9 Kliknij przycisk **Start** i wybierz polecenie **Zamknij system**.
- 10 Poczekaj, aż nastąpi całkowite wyłączenie komputera, po czym ponownie zadokuj go do urządzenia dokującego.
Nastąpi automatyczne ponowne uruchomienie komputera. Jeśli tak się nie stanie, włącz komputer.
- 11 Naciśnij klawisze <Ctrl><Alt>, aby się zalogować.

Komputer automatycznie wykryje nowe urządzenia.

- 12 Po wyświetleniu monitu wybierz opcję **Zainstaluj sterownik dla tego urządzenia dostarczony wraz z komputerem (zalecane)** i kliknij przycisk **OK**.
- 13 Kliknij przycisk **Kontynuuj** w oknie **Konfiguracja Windows NT**.
- 14 Wybierz opcję **Zainstaluj sterownik dla tego urządzenia dostarczony wraz z komputerem (zalecane)** i kliknij przycisk **OK**.
- 15 Z listy rozwijanej wybierz nazwę kontrolera interfejsu sieci (NIC).
- 16 Zaznacz, czy karta sieciowa powinna uzyskać adres IP z serwera lub czy adres IP jest określony.

Jeśli nie wiesz, którą opcję należy wybrać, skontaktuj się z administratorem.
- 17 Aby zakończyć instalację, postępuj zgodnie z instrukcjami.

Zostanie wyświetlony pulpit systemu Windows i instalacja będzie zakończona.

Po zadokowaniu komputer nie może przejść w tryb „wstrzymaj i zapisz na dysk”.

Pierwsze dokowanie w systemie Windows 98

- 1 Zadokuj i włącz komputer.
- 2 Aby wyświetlić program konfiguracji systemu, naciśnij <F2> podczas procedury rozruchowej systemu lub <Fn><F1> po zakończeniu rozruchu komputera.
- 3 Ustaw pozycję **Docking IRQ** (Przerwanie dokowania) na **Optimized** (Zoptymalizowane).
- 4 Ustaw **Universal Connect** (Połączenie uniwersalne) na **Enabled** (Włączone).
- 5 Zamknij program konfiguracji systemu.

Komputer wykryje nowy sprzęt.
- 6 Kliknij przycisk **OK** w oknie **Ustawienia konfiguracji**.

Zostanie wyświetlony **Kreator dodawania nowego sprzętu**.

- 7 Kliknij przycisk **Dalej**.
- 8 Wybierz opcję **Wyszukać najlepszy sterownik dla tego urządzenia (zalecane)** i kliknij przycisk **Dalej**.
- 9 Usuń zaznaczenie przy wszystkich opcjach i kliknij przycisk **Dalej**.
Zostanie wyświetlone okno informujące, że system Windows jest gotowy do zainstalowania najlepszego sterownika dla tego urządzenia.
- 10 Postępuj według instrukcji **kreatora dodawania nowego sprzętu**.
- 11 Po wyświetleniu monitu, wybierz opcję **Wyszukać najlepszy sterownik dla tego urządzenia (zalecane)** i kliknij przycisk **Dalej**.
- 12 Aby zakończyć instalację, postępuj zgodnie z wyświetlanymi instrukcjami.

Zostanie wyświetlony pulpit systemu Windows i instalacja będzie zakończona.

Pierwsze dokowanie w systemie Windows 95

- 1 Zadokuj i włącz komputer.
- 2 Aby wyświetlić program konfiguracji systemu, naciśnij <F2> podczas procedury rozruchowej systemu lub <Fn><F1> po zakończeniu rozruchu komputera.
- 3 Ustaw pozycję **Docking IRQ** (Przerwanie dokowania) na **Optimized** (Zoptymalizowane).
- 4 Ustaw **Universal Connect** (Połączenie uniwersalne) na **Enabled** (Włączone).
- 5 Zamknij program konfiguracji systemu.
Komputer automatycznie wykryje nowy sprzęt.
- 6 Kliknij **Tak** w oknie **Zmiana ustawień systemu**.
Nastąpi ponowne uruchomienie komputera, po czym nowy sprzęt zostanie wykryty automatycznie.
- 7 W oknie **Sieć** kliknij przycisk **OK**.
- 8 Wybierz kartę **Identyfikacja** w następnym oknie **Sieć**.

- 9 Podaj **nazwę komputera** i **grupę roboczą**, które będą identyfikować komputer w sieci i kliknij przycisk **Zamknij**.

Jeżeli nie wiesz, jaką **nazwę komputera** i **grupę roboczą** należy wpisać, skontaktuj się z administratorem systemu.


 **UWAGA:** Aby kontynuować instalację sterownika należy podać **nazwę komputera** i **grupę roboczą**.

Pliki zostaną automatycznie skopiowane, po czym zbudowana zostanie baza danych z informacjami o sterownikach.

- 10 Kliknij przycisk **OK** w oknie **Ustawienia konfiguracji**.

- 11 Aby zakończyć instalację, postępuj zgodnie z instrukcjami.

Zostanie wyświetlony pulpit systemu Windows i instalacja będzie zakończona.

 **UWAGA:** Aby skorzystać ze złącza USB, należy zainstalować dodatek USB znajdujący się na dysku *ResourceCD* w katalogu **Win95\OSUpdate**. Po zainstalowaniu dodatku USB komputer nie będzie mógł przejść w tryb wstrzymania. Firma Dell zaleca, aby instalować dodatek USB tylko wtedy, gdy będą używane urządzenia USB.

Aktualizacja sterowników w systemie Windows XP i Windows 2000

Aby zaktualizować sterowniki w systemie Windows XP i Windows 2000:

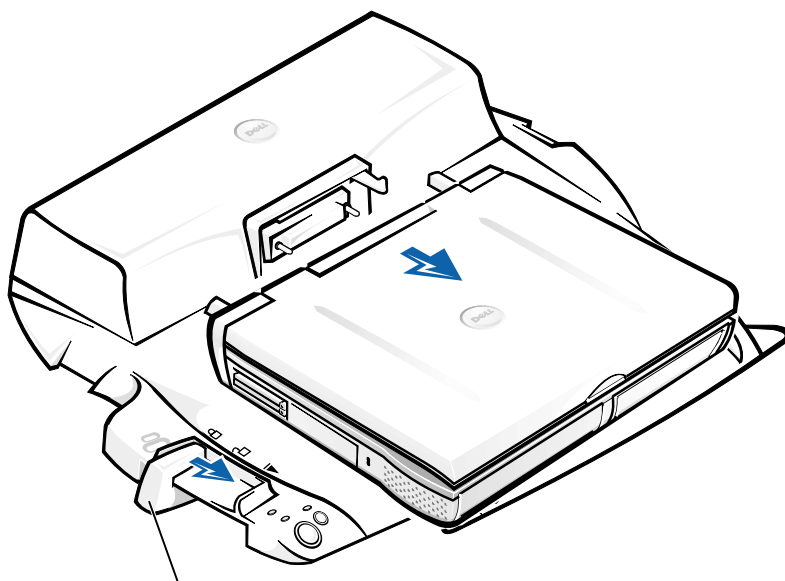
- 1 Kliknij prawym przyciskiem myszy ikonę **Mój komputer** i wybierz **Manage** (Zarządzanie). (W systemie *Windows XP* kliknij przycisk **Start**, aby uzyskać dostęp do pozycji **Mój komputer**. W systemie *Windows 2000* ikona **Mój komputer** znajduje się na pulpicie.)
- 2 W oknie **Computer Management** (Menedżer komputera) kliknij **Menedżer urządzeń**, a następnie dwukrotnie kliknij pozycję **Karty sieciowe**.
- 3 Dwukrotnie kliknij pozycję **3Com 3C920 Integrated Fast Ethernet Controller**.
- 4 Kliknij kartę **Sterownik**.
- 5 Kliknij przycisk **Aktualizuj sterownik...** i postępuj zgodnie ze wskazówkami.

Aktualizacja sterowników w systemie Windows Me

Aby zaktualizować sterowniki w systemie Windows Me:

- 1 Kliknij prawym przyciskiem myszy ikonę **Mój komputer** znajdującą się na pulpicie i wybierz **Właściwości**.
- 2 W oknie **Właściwości: System** kliknij kartę **Menedżer urządzeń**, a następnie dwukrotnie kliknij pozycję **Karty sieciowe**.
- 3 Dwukrotnie kliknij pozycję **3Com 3C920 Integrated Fast Ethernet Controller**.
- 4 Kliknij kartę **Sterownik**.
- 5 Kliknij przycisk **Aktualizuj sterownik...** i postępuj zgodnie ze wskazówkami.


Oddokowywanie komputera



dźwignia wysuwania/blokowania



PRZYPOMNIENIE: Jeśli komputer nie pobiera energii z akumulatora, komputer wyłączy się po oddokowaniu, a wszystkie niezapisane dane zostaną utracone.

-  **PRZYPOMNIENIE:** Nie należy nigdy oddokowywać komputera bez jego wcześniejszego przygotowania. Jeśli komputer zostanie oddokowany przed jego przygotowaniem, nastąpi utrata danych, a komputer przez kilka minut może nie powrócić do trybu normalnej pracy, o ile w ogóle będzie to możliwe.

W celu przygotowania komputera do oddokowania można zastosować jedną z następujących metod:

- Naciśnij klawisze <Fn><Esc> na klawiaturze komputera (lub <Scroll Lock><Esc> na zewnętrznej klawiaturze).
Poczekaj kilka sekund, aż lampka zasilania komputera wyłączy się.
- *W systemie Windows XP* kliknij przycisk **Start**, a następnie kliknij **Undock Computer** (*Oddokuj komputer*).
W systemach Windows 95, Windows 98, Windows Me lub Windows 2000, kliknij przycisk **Start** i kliknij pozycję **Odlącz kartę PC**.
W systemie Windows NT, kliknij ikonę dokowania znajdującą się na pasku zadań, a następnie kliknij **Oddokuj**, aby przełączyć komputer w tryb wstrzymania.
Poczekaj kilka sekund, aż lampka zasilania komputera wyłączy się.
- Naciśnij przycisk żądania oddokowania na podstawie dokującej (patrz rysunek „Elementy sterujące i wskaźniki”). Poczekaj, aż zielona lampka dokowania wyłączy się.

Zabezpieczanie zaawansowanego replikatora portów C/Port II

Funkcje zabezpieczeń

Poniżej znajduje się lista funkcji zabezpieczeń udostępnianych przez urządzenie dokujące:

- Dźwignia wysuwania/blokowania, która pozwala przytwierdzić i wysunąć komputer. Przesunięcie dźwigni do tyłu przytwierdza komputer do zaawansowanego replikatora portów C/Port II. Ustawienie dźwigni w pozycji środkowej pozwala na korzystanie z urządzenia dokującego bez jego przytwierdzenia. Przesunięcie dźwigni do przodu wysuwa komputer z urządzenia dokującego. Aby używanie gniazda blokady oraz gniazda blokady zabezpieczającej było możliwe, przesunąć dźwignię wysuwania/blokowania w tył.

- Zatrzask ze sprężyną znajdujący się z przodu podstawy dokującej, który pasuje do gniazda zabezpieczającego pod spodem komputera, przymocowuje komputer do podstawy dokującej. Nie wszystkie komputery firmy Dell posiadają gniazdo zabezpieczające.
- Zabezpieczony przycisk wysuwania z wnęki nośników, który zapobiega wyjęciu urządzeń z wnęki nośników.
- Zablokowany zatrzask uniemożliwiający niepożądane wyciągnięcie komputera.

Zabezpieczanie zaawansowanego replikatora portów C/Port II

Aby zabezpieczyć urządzenie dokujące, można zastosować jedną z następujących metod:

- Użyć samej blokady lub wykorzystać jednocześnie blokadę, kabel zabezpieczający w kształcie pętli oraz gniazdo blokady urządzenia dokującego (patrz „Elementy sterujące i wskaźniki podstawy dokującej”).

Użycie samej blokady blokuje dźwignie wysuwania, utrudnia odłączenie komputera od urządzenia dokującego.

Kabel zabezpieczający owinięty wokół nieruchomego obiektu używany w połączeniu z blokadą uniemożliwia niepożądane przeniesienie komputera i zaawansowanego replikatora portów C/Port II.

- Dołącz dostępne w sprzedaży urządzenie zabezpieczające przed kradzieżą do gniazda blokady zabezpieczającej urządzenia dokującego (patrz „Elementy sterujące i wskaźniki podstawy dokującej”).

Urządzenia zabezpieczające przed kradzieżą składają się zwykle z odcinka metalowej linki, blokady z zamkiem i odpowiedniego klucza. Firma Dell zaleca, aby używać blokady firmy Kensington. Szczegółowe instrukcje dotyczące montażu tego rodzaju urządzeń znajdują się w dokumentacji dołączonej do urządzenia.

Program Dell Diagnostics

Program Dell Diagnostics dostarczany z komputerem Dell Latitude zawiera testy, które mają pomóc w rozwiązywaniu problemów z kontrolerami urządzenia dokującego.

Testy w grupie testów **Network Interface** (Interfejs sieci) programu Dell Diagnostics sprawdzają poprawność przeprowadzania podstawowych operacji przez kontroler sieci urządzenia dokującego. Testują one wewnętrzne funkcje kontrolera, w tym odczyt i zapis w jego rejestrach, transmisję wewnętrzną oraz możliwość odbioru (sprężenie zwrotne).

Testy w grupie testów **Serial/Infrared Ports** (Porty szeregowo/podczerwieni) sprawdzają interfejs urządzenia dokującego wraz z urządzeniami zewnętrznymi (takimi jak mysz szeregową lub drukarka). Testy w tej grupie testów nie są testami diagnostycznymi danego urządzenia zewnętrznego.

Testy w grupie testów **USB** sprawdzają interfejs urządzenia dokującego wraz z urządzeniami zewnętrznymi (takimi jak mysz). Testy w tej grupie testów nie są testami diagnostycznymi danego urządzenia zewnętrznego.

Dokładne instrukcje dotyczące korzystania z programu Dell Diagnostics znajdują się w *przewodniku użytkownika* komputera (User's Guide).

Parametry techniczne

Parametry techniczne

Wymiary i masa

Wysokość:

Ze stojakiem na monitor	10,2 cm (10,16 cm cala)
Oddzielnie	5,8 cm (5,84 cm cala)

Głębokość:

Ze stojakiem na monitor	39,0 cm (39,12 cm cala)
Oddzielnie	35,8 cm (35,81 cm cala)

Szerokość:

Ze stojakiem na monitor	40,9 cm (40,89 cm cala)
Oddzielnie	37,5 cm (37,59 cm cala)

Masa:

Ze stojakiem na monitor	3,0 kg (2,95 kg cala)
Oddzielnie	1,6 kg (1,59 kg cala)

Zasilanie

Zasilacz:

Napięcie	100–200 V, prąd zmienny, 50–60 Hz
Natężenie	1,5 A

Prąd wejściowy zaawansowanego replikatora portów:

Napięcie	wymaga prądu stałego 20 V z zasilacza
Natężenie	3,5 A

Parametry techniczne

we/wy –

Szeregowe (DTE)	zgodne z 16550, 16-bajtowe złącze buforowe
Równoległe	złącze jednokierunkowe, dwukierunkowe lub ECP
PS/2	dwa złącza mini-DIN
USB	dwa złącza zgodne ze standardem USB
Podczerwień	czujnik podczerwieni zgodny ze standardami IrDA (Infrared Data Association) 1.1 (Fast IR) oraz 1.0
Wyjście audio line out	gniazdo jack audio (dla opcjonalnych słuchawek)
Grafika	jedno złącze
Sieć	jedno złącze RJ45
Dokowanie (do połączenia z komputerem)	jedno złącze

Karta sieciowa Ethernet

Układ chipset	3Com® 3C920; 10/100 BASE-TX (zgodny ze specyfikacją-PC99)
Szerokość magistrali danych	32-bitowy interfejs magistrali głównej PCI
Przerwanie IRQ	IRQ10

Instrukcje norm bezpieczeństwa i zgodności elektromagnetycznej: Komputery przenośne

Poniższe informacje określają znaczenie *dodatkowych* symboli używanych *wyłącznie* w instrukcjach bezpieczeństwa i zgodności elektromagnetycznej (EMC).



Ryzyko wybuchu



Podróż samolotem



Ryzyko pożaru



Korzystanie z tej funkcji na pokładzie samolotu może być zabronione



Niebezpieczeństwo porażenia prądem



Instrukcje dotyczące bezpieczeństwa

Ogólne

- Przygotowując zaawansowany replikator portów do pracy, należy ustawić ją na równej powierzchni.
- Nie należy podejmować samodzielnych prób naprawy zaawansowanego replikatora portów, chyba że użytkownik jest autoryzowanym pracownikiem serwisu technicznego. Zawsze należy postępować ściśle według instrukcji montażu.
- W przypadku korzystania z przedłużacza w połączeniu z zasilaczem, należy upewnić się, że łączne natężenie prądu wszystkich urządzeń podłączonych do przedłużacza nie przekracza dopuszczalnego dla niego natężenia.



- Nie należy niczym zatykać otworów i szczelin wentylacyjnych komputera. Grozi to pożarem lub porażeniem prądem wskutek zwarcia elementów elektrycznych znajdujących się wewnątrz urządzenia.



- Podczas zasilania komputera lub ładowania akumulatora należy umieścić zasilacz w przewiewnym miejscu, na przykład na blacie biurka lub na podłodze. Nie należy przykrywać zasilacza papierami i innymi przedmiotami, które ogranicząby możliwość chłodzenia. Nie należy również włączać zasilacza wewnątrz walizki lub torby.



- Nie należy używać komputera w pomieszczeniach wilgotnych ani w pobliżu zbiorników i ujęć wody, na przykład przy wannie, zlewie, na brzegu basenu lub w wilgotnej piwnicy.



- Aby uniknąć potencjalnego ryzyka porażenia prądem, w trakcie burzy nie należy podłączać ani odłączać żadnych przewodów, ani też przeprowadzać napraw lub zmian w konfiguracji tego produktu. Nie należy używać komputera w trakcie występowania wyładowań atmosferycznych, chyba że wszystkie kable zostały odłączone od komputera, a komputer jest zasilany z akumulatora.

- Należy używać jedynie zasilacza i akumulatora zatwierdzonych do użytku z tym zaawansowanym replikatorem portów, w sposób opisany w niniejszym dokumencie. Użycie innego typu akumulatora lub zasilacza może grozić pożarem lub wybuchem.

- Przed czyszczeniem stacji dokującej należy ją wyłączyć i odłączyć zasilacz od gniazda elektrycznego. Do czyszczenia stacji dokującej należy używać miękkiej szmatki zwilżonej wodą. Nie należy używać środków czyszczących w płynie czy w aerozolu, które mogą zawierać substancje łatwopalne.



Zasilanie (Instrukcje dotyczące bezpieczeństwa)



- Należy używać tylko zasilacza firmy Dell, który został zatwierdzony do pracy z tym zaawansowanym replikatorem portów. Użycie innego zasilacza może spowodować pożar lub wybuch.
- Przed podłączeniem zaawansowanego replikatora portów do gniazda elektrycznego należy sprawdzić parametry zasilacza i upewnić się, że wymagane napięcie i częstotliwość odpowiadają parametrom źródła zasilania.
- Aby odłączyć zasilanie stacji dokującej, wyłącz ją i odłącz zasilacz od gniazda sieciowego.



- Aby zapobiec niebezpieczeństwu porażenia elektrycznego, kabel zasilacza i kable zasilające innych urządzeń należy podłączyć do prawidłowo uziemionych źródeł zasilania. Kable te mogą być wyposażone we wtyczki z trzema bolcami, co zapewnia właściwe uziemienie. Nie należy używać przejściówek ani usuwać bolca uziemiającego z wtyczki kabla zasilania. W przypadku korzystania z przedłużacza należy używać kabla odpowiedniego typu, z wtyczką z dwoma lub trzema bolcami, dopasowanego do kabla zasilacza.
- Należy upewnić się, że kabel zasilacza nie jest niczym przyciśnięty i nie znajduje się w miejscu, w którym można potknąć się o niego lub na niego nadepnąć.



- W przypadku korzystania z listwy zasilania, należy zachować ostrożność podczas podłączania do niej kabla zasilacza. W przypadku niektórych listew zasilania możliwe jest nieprawidłowe włożenie wtyczki. Nieprawidłowe włożenie wtyczki może spowodować trwałe uszkodzenie komputera, a także grozić pożarem i/lub porażeniem prądem. Należy upewnić się, że boliec uziemiający wtyczki jest włożony do odpowiedniego otworu uziemiającego listwy zasilania.

Zgodność z normami

Zakłócenia elektromagnetyczne wywoływane są emisją sygnałów rozsyłanych do otoczenia lub wysyłanych wzdłuż połączeń zasilających lub sygnałowych. Zakłóca ona działanie urządzeń radionawigacyjnych lub innego sprzętu, od którego zależy bezpieczeństwo ludzi lub wyraźnie obniża jakość, utrudnia lub stale przerywa funkcjonowanie koncesjonowanych usług komunikacji radiowej. Usługi komunikacji radiowej obejmują (ale nie ograniczają się do tego) emisję programów telewizyjnych i radiowych, usługi telefonii komórkowej, skanowanie radarowe, kontrolę lotów powietrznych, działanie pagerów oraz usługi komunikacji osobistej PCS (Personal Communication Services). Wszystkie te licencjonowane usługi oraz przypadkowe źródła promieniowania, takie jak urządzenia cyfrowe, w tym komputery, tworzą łącznie środowisko elektromagnetyczne.

Kompatybilność elektromagnetyczna jest to zdolność urządzeń elektronicznych do prawidłowego funkcjonowania w środowisku elektromagnetycznym. Mimo że ten komputer został zaprojektowany i wykonany zgodnie z prawnymi normami określającymi maksymalne poziomy zakłóceń elektromagnetycznych, nie istnieje żadna gwarancja, że zakłócenia nie wystąpią przy określonej instalacji. Jeśli okaże się, że sprzęt ten powoduje zakłócenia radiowych usług komunikacyjnych, co można ustalić włączając go i wyłączając, poziom zakłóceń można zmniejszyć na jeden, bądź kilka z poniższych sposobów:

- Zmienić ustawienie anteny odbiorczej.
- Zmienić położenie komputera względem odbiornika.
- Odsunąć komputer od odbiornika.
- Podłączyć komputer do innego gniazda elektrycznego, tak aby komputer i odbiornik znajdowały się w osobnych odgałęzieniach sieci elektrycznej.

W razie konieczności można zasięgnąć dodatkowej porady u pracownika pomocy technicznej firmy Dell lub u doświadczonego technika radiowo-telewizyjnego.

Komputery firmy Dell są projektowane, testowane i klasyfikowane pod względem charakterystyki docelowego środowiska elektromagnetycznego. Klasyfikacje środowiska elektromagnetycznego zazwyczaj odwołują się do poniższych określeń:

- Klasa A jest zazwyczaj przeznaczona dla środowisk biurowych lub przemysłowych.
- Klasa B jest zazwyczaj przeznaczona dla środowisk domowych.

Podłączany lub włączany do komputera sprzęt komputerowy, łącznie z urządzeniami, kartami rozszerzeń, drukarkami, urządzeniami wejścia/wyjścia, monitorami itd., powinien odpowiadać komputerowi pod względem klasyfikacji dla docelowego środowiska elektromagnetycznego.

Uwaga dotycząca ekranowanych przewodów sygnałowych: Podłączanie urządzeń do urządzeń firmy Dell powinno się odbywać wyłącznie za pomocą kabli ekranowanych, aby zmniejszyć prawdopodobieństwo interferencji z usługami komunikacji radiowej. Korzystanie z kabli ekranowanych pozwala zagwarantować, że używane urządzenia rzeczywiście będą funkcjonowały zgodnie z wymogami docelowego środowiska elektromagnetycznego. Kabel połączeniowy dla drukarek podłączanych do portu równoległego znajduje się w ofercie firmy Dell. Kabel można zamówić w firmie Dell za pośrednictwem sieci Web, pod adresem <http://accessories.us.dell.com/>.


Większość komputerów firmy Dell jest przeznaczonych do użytku w środowiskach klasy B. Jednak wyposażenie w pewne funkcje opcjonalne może spowodować zmianę kategorii urządzenia na klasę A. Aby ustalić klasyfikację elektromagnetyczną komputera lub urządzenia, należy szukać informacji w poniższych punktach dotyczących poszczególnych instytucji normalizacyjnych. Każdy z punktów zawiera informacje dotyczące standardów bezpieczeństwa lub emisji sygnałów elektromagnetycznych, obowiązujących w poszczególnych krajach.

Normy CE (Unia Europejska)

Oznakowanie symbolem **CE** oznacza, zgodność niniejszego komputera firmy Dell z Dyrektywami EMC i Low Voltage Directive, obowiązującymi w obrębie Unii Europejskiej. Takie oznakowanie świadczy o spełnianiu przez system Dell poniższych standardów technicznych:

- EN 55022 — „Limits and Methods of Measurement of Radio Interference Characteristics of Information Technology Equipment” (Limity i metody pomiaru charakterystyki zakłóceń radiowych dla sprzętu komputerowego).

- EN 55024 – „Information technology equipment – Immunity characteristics – Limits and methods of measurement” (Sprzęt komputerowy – Charakterystyka odporności – Limity i metody pomiaru).
- EN 61000-3-2 – „Electromagnetic compatibility (EMC) – Part 3 (Kompatybilność elektromagnetyczna – EMC – Część 3): Limits - Section 2: Limits for harmonic current emissions (Equipment input current up to and including 16 A per phase).” (Limity dla prądu sinusoidalnego [Urządzenia zasilane prądem wejściowym o natężeniu do 16 A na fazę])
- EN 61000-3-3 – „Electromagnetic compatibility (EMC) - Part 3 (Kompatybilność elektromagnetyczna - EMC - Część 3): Limits - Section 3: Limitation of voltage fluctuations and flicker in low-voltage supply systems for equipment with rated current up to and including 16 A.” (Limity fluktuacji i migotania napięcia w systemach zasilających o niskim napięciu przeznaczonych do współpracy z urządzeniami zasilanymi prądem o natężeniu do 16 A)
- EN 60950 – „Safety of Information Technology Equipment” (Bezpieczeństwo sprzętu komputerowego).

 **UWAGA:** Zawarte w normie EN 55022 wymagania dotyczące emisji fal radiowych przewidują podział na dwie kategorie sprzętu:

- Klasa A dla typowych środowisk komercyjnych.
- Klasa B dla typowych środowisk domowych.

Niniejsze urządzenie firmy Dell zostało zakwalifikowane do klasy B, do użytku w typowych środowiskach domowych.

Stosownie do wymogów powyższych norm sporządzono dokument z deklaracją zgodności („Declaration of Conformity”). Dokument ten dostępny jest do wglądu w firmie Dell Products Europe BV w Limerick, Irlandia.

Wymagania Polskiego Centrum Badań i Certyfikacji

Urządzenie powinno być zasilane z gniazda z przyłączonym obwodem ochronnym (gniazdo z kołkiem). Współpracujące ze sobą urządzenia (komputer, monitor, drukarka) powinny być zasilane z tego samego źródła.

Instalacja elektryczna pomieszczenia powinna zawierać w przewodzie fazowym rezerwową ochronę przed zwarciami, w postaci bezpiecznika o wartości znamionowej nie większej niż 16 A (amperów).

W celu całkowitego wyłączenia urządzenia z sieci zasilania, należy wyjąć wtyczkę kabla zasilającego z gniazdka, które powinno znajdować się w pobliżu urządzenia i być łatwo dostępne.

Znak bezpieczeństwa „B” potwierdza zgodność urządzenia z wymaganiami bezpieczeństwa użytkownika zawartymi w normach PN-93/T-42 107 i PN-EN 55022: 1996.

Jeżeli na tabliczce znamionowej umieszczono informację, że urządzenie jest klasy A, to oznacza to, że urządzenie w środowisku mieszkalnym może powodować zakłócenia radioelektryczne. W takich przypadkach można żądać od jego użytkownika zastosowania odpowiednich środków zaradczych.

Pozostałe instrukcje bezpieczeństwa

- Nie należy używać wtyczek adapterowych lub usuwać kołka obwodu ochronnego z wtyczki. Jeżeli konieczne jest użycie przedłużacza to należy użyć przedłużacza 3-żyłowego z prawidłowo połączonym przewodem ochronnym.
- System komputerowy należy zabezpieczyć przed nagłymi, chwilowymi wzrostami lub spadkami napięcia, używając eliminatora przepięć, urządzenia dopasowującego lub bezzakłóceniewego źródła zasilania.
- Należy upewnić się, aby nic nie leżało na kablach systemu komputerowego, oraz aby kable nie były umieszczone w miejscu, gdzie można byłoby na nie nadeptywać lub potykać się o nie.
- Nie należy rozlewać napojów ani innych płynów na system komputerowy.
- Nie należy wpychać żadnych przedmiotów do otworów systemu komputerowego, gdyż może to spowodować pożar lub porażenie prądem, poprzez zwarcie elementów wewnętrznych.
- System komputerowy powinien znajdować się z dala od grzejników i źródeł ciepła. Ponadto, nie należy blokować otworów wentylacyjnych. Należy unikać kładzenia luźnych papierów pod komputer oraz umieszczania komputera w ciasnym miejscu bez możliwości cyrkulacji powietrza wokół niego.

Oznaczenie znakiem CE

Niniejsze urządzenie spełnia wymogi zawarte w Dyrektywie Europejskiej 1999/5/EC

Повторитель портов Dell™ Latitude™ C/Port II APR

Информационное руководство по системе

Примечания, замечания и предупреждения



ПРИМЕЧАНИЕ. Содержит важную информацию, которая поможет использовать компьютер более эффективно.



ЗАМЕЧАНИЕ. Указывает на возможность повреждения оборудования или потери данных и объясняет, как этого не допустить.



ПРЕДУПРЕЖДЕНИЕ. Указывает на потенциальную опасность повреждения, получения легких травм или угрозу для жизни.

Информация, содержащаяся в этом документе, может быть изменена без предварительного уведомления.

© Корпорация Dell Computer Corporation, 2001. Все права защищены.

Воспроизведение материалов данного руководства в любой форме без письменного разрешения корпорации Dell Computer Corporation строго запрещено.

Товарные знаки, использованные в этом документе: *Dell*, логотип *DELL*, *Latitude* и *DellWare* являются товарными знаками корпорации Dell Computer Corporation; *3Com* – товарным знаком корпорации 3Com Corporation; *Microsoft*, *Windows* и *Windows NT* – зарегистрированными товарными знаками корпорации Microsoft Corporation.

Остальные товарные знаки и названия продуктов могут использоваться в этом руководстве для обозначения фирм, заявляющих права на товарные знаки и названия, или продуктов этих фирм. Корпорация Dell Computer Corporation не заявляет прав ни на какие товарные знаки и названия, кроме собственных.

Данный продукт создан с использованием технологии защиты авторских прав, охраняемой соответствующими патентами США и другими правами на интеллектуальную собственность, принадлежащими корпорации Macrovision Corporation и иным владельцам. Указанная технология защиты авторских прав может использоваться только с разрешения корпорации Macrovision Corporation и только в домашних или иных условиях с ограниченной демонстрацией, если корпорация Macrovision Corporation не дала иного разрешения. Обратное проектирование и дезассемблирование запрещены.

Октябрь 2001 г. P/N 4G281 Выпуск A01

Информационное руководство по системе

В этом документе приводятся сведения о начале работы, технике безопасности, соответствии стандартам и гарантийных обязательствах, касающиеся повторителя портов Dell Latitude C/Port II Advanced Port Replicator (APR), а также информация о прочих документах корпорации Dell и о том, каким образом их можно получить.

Другие доступные документы

- Обновления к документации, которые иногда поставляются вместе со стыковочным устройством и описывают изменения в аппаратном или программном обеспечении. Всегда читайте эти обновления до изучения какой-либо другой документации, так как в них часто содержатся самые новые сведения.
- Документация, которая прилагается к дополнительным компонентам, приобретаемым отдельно от стыковочного устройства. В ней содержатся инструкции по настройке дополнительных компонентов и их установке в стыковочное устройство.

Получение справки

Корпорация Dell предусмотрела ряд возможностей получения помощи в случае, если стыковочное устройство работает неправильно. Описание этих возможностей можно найти в разделе "Получение справки" в интерактивном *Руководстве пользователя* компьютера.

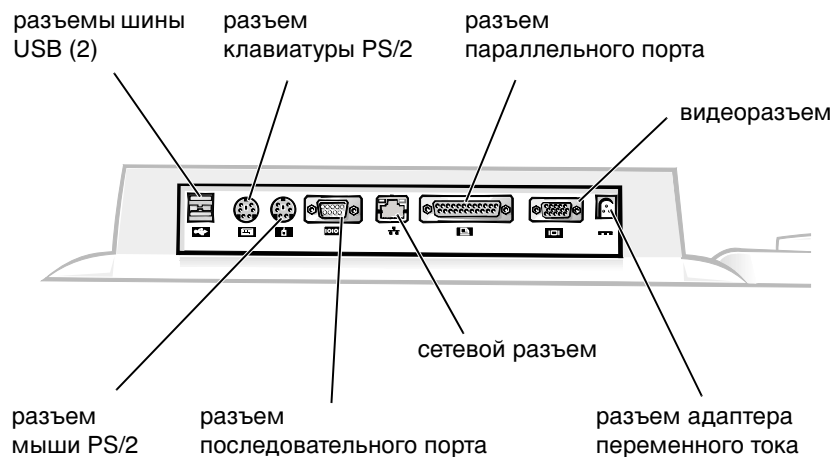
Обзор стыковочного устройства

ПРИМЕЧАНИЕ. Перед подключением стыковочного устройства к сети предупредите сетевого администратора.

Адаптер переменного тока должен быть подключен к стыковочному устройству до стыковки и включения компьютера. Адаптер переменного тока обеспечивает питание стыковочного устройства и компьютера одновременно. Во время работы со стыковочным устройством происходит зарядка аккумуляторных батарей компьютера.

ЗАМЕЧАНИЕ. Всегда используйте адаптер переменного тока Dell PA-6, который прилагается к стыковочному устройству. Применение других адаптеров переменного тока, имеющих в продаже или предназначенных для более ранних моделей компьютеров Dell, может вывести из строя стыковочное устройство или компьютер.

Панель ввода/вывода стыковочного устройства

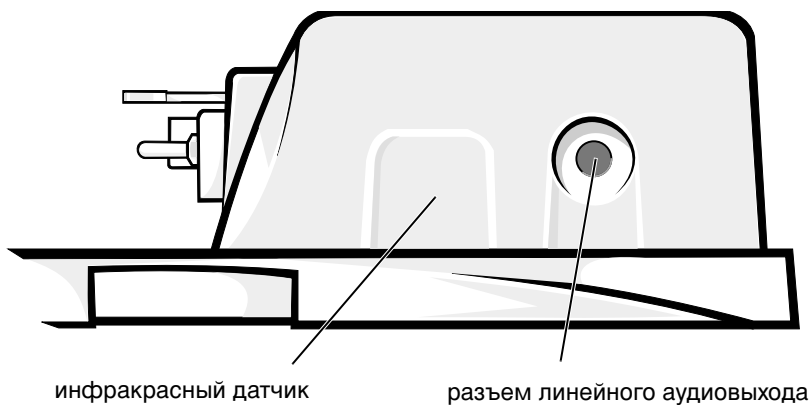


В таблице "Внешние разъемы ввода/вывода" приведены условные обозначения разъемов на задней панели повторителя портов APR и типы внешних устройств, которые могут быть подключены к каждому из этих разъемов.

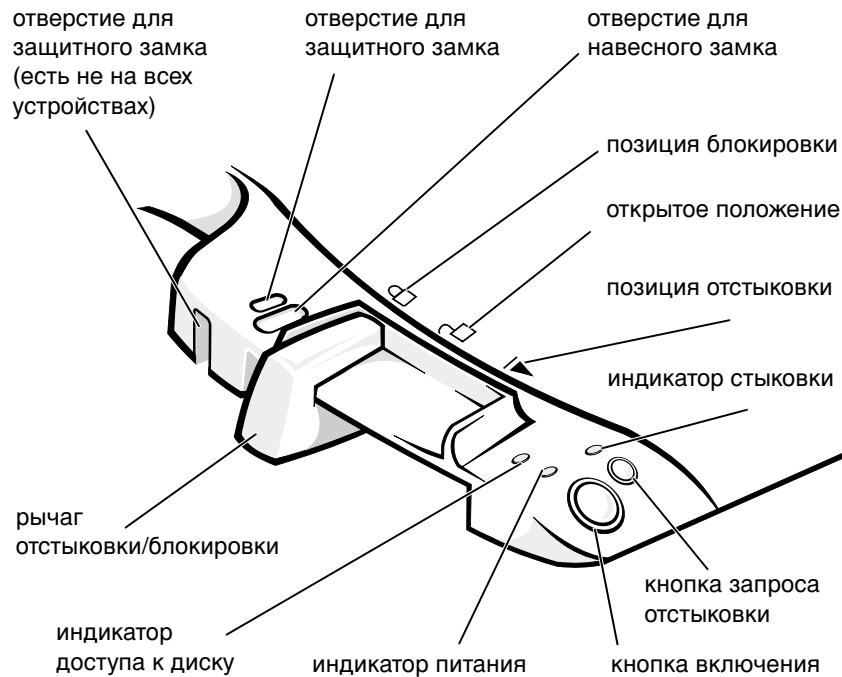
Внешние разъемы ввода/вывода

Значок разъема	Описание разъема
	К двойному разъему USB можно подключать одно или два USB-устройства, например, USB-мышь.
	К разъему для клавиатуры PS/2 можно подключать внешнюю клавиатуру PS/2 или дополнительную цифровую клавиатуру.
	К разъему для мыши PS/2 можно подключать внешнюю мышь PS/2.
	К разъему последовательного порта можно подключать любое последовательное устройство, например, мышь или внешний модем.
	К сетевому разъему NIC можно подключать кабель сетевого интерфейса.
	К разъему параллельного порта можно подключать параллельное устройство, например, принтер.
	К видеовыходу можно подключать внешний монитор.
	К разъему адаптера переменного тока можно подключать адаптер переменного тока, входящий в комплект поставки повторителя.

Разъемы для подключения звуковых устройств и инфракрасный датчик



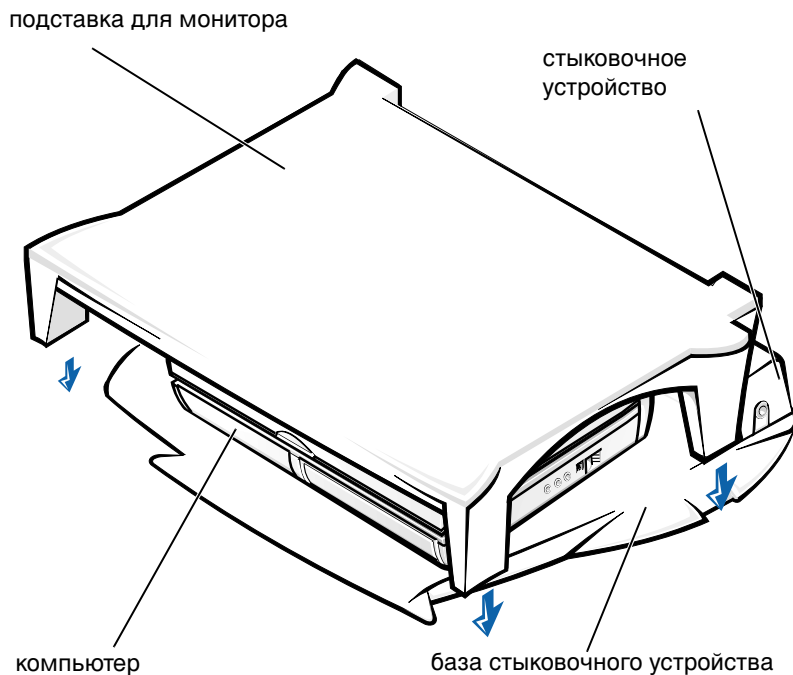
Органы управления и индикаторы на базе стыковочного устройства



Подставка для монитора

- ➔ **ЗАМЕЧАНИЕ.** На подставку можно устанавливать мониторы весом до 45,3 кг (100 фунтов). Монитор с большим весом может повредить подставку, компьютер и стыковочное устройство.

Стыковочное устройство с подставкой для монитора



- **ПРИМЕЧАНИЕ.** Задние ножки подставки для монитора должны входить в пазы по обеим сторонам базы стыковочного устройства.

Подготовка к стыковке компьютера

Если установлена операционная система Microsoft® Windows® 9x, Windows NT® или Windows Millennium (Me), сначала необходимо проверить, есть ли на компьютере драйверы стыковочных устройств. Если таких драйверов нет, установите их, прежде чем подключать компьютер к повторителю порта в первый раз. Для установки драйверов выполните действия, описанные в разделе "Установка драйверов стыковочных устройств".



ПРИМЕЧАНИЕ. Если на компьютере установлена операционная система Windows XP или Windows 2000, необходимые драйверы на компьютере уже имеются, и не нужно выполнять действия, описанные в разделе "Установка драйверов стыковочных устройств". Перейдите к разделу "Стыковка компьютера".

Поиск установленных драйверов стыковочных устройств

- 1 Дважды щелкните значок **My Computer** (Мой компьютер).
- 2 Дважды щелкните значок **Control Panel** (Панель управления).
- 3 Дважды щелкните значок **Add/Remove Program** (Установка/удаление программ).
- 4 Найдите в списке программ нужные драйверы стыковочных устройств.

В Windows 9x и Windows Me найдите драйвер, в имени которого есть слова **Quick Install**. Например: Dell Dock Quick Install for Windows.

В Windows NT найдите программу **NT Softex Docking Services**.

Если драйверы стыковочных устройств отсутствуют, перейдите к разделу "Установка драйверов стыковочных устройств". Если драйверы установлены, перейдите к разделу "Стыковка компьютера".

Установка драйверов стыковочных устройств

Драйверы стыковочных устройств можно установить любым из следующих способов.

- Установить драйверы с компакт-диска *ResourceCD* или с компакт-диска *Drivers and Utilities*, которые прилагаются к компьютеру или стыковочному устройству.
- Загрузить с веб-сайта технической поддержки корпорации Dell.

Установка стыковочных драйверов с компакт-диска *ResourceCD* или *Drivers and Utilities*

- 1 Вставьте компакт-диск *ResourceCD* или *Drivers and Utilities* в дисковод.

Обычно считывание компакт-диска начинается автоматически. Если этого не произошло, запустите проводник Windows Explorer, выберите каталог компакт-диска для вывода на экран его содержимого, затем дважды щелкните файл **autorcd**. Когда появится окно приветствия, нажмите кнопку **Next** (Далее). При первом запуске компакт-диска вас могут попросить установить некоторые установочные файлы. Нажмите кнопку **OK** и выполняйте инструкции на экране.

- 2 На панели инструментов в разворачивающемся меню **Language** (Язык) выберите предпочитаемый язык для драйвера или утилиты (если доступно).

Появится окно приветствия.

- 3 Нажмите кнопку **Next** (Далее).

- 4 В группе **Search Criteria** (Критерии поиска) выберите необходимые категории в раскрывающемся меню **System Model** (Модель системы) и **Operating System** (Операционная система).

В Windows 9x и Windows Me выберите в раскрывающемся меню **Device Type** (Тип устройства) значение System Utilities (Системные утилиты), а в меню **Topic** (Тема) – значение **Drivers** (Драйверы).

В Windows NT выберите в раскрывающемся меню **Device Type** (Тип устройства) значение System Utilities (Системные утилиты), а в меню **Topic** (Тема) – значение **Utilities** (Утилиты).

Появятся ссылки на конкретные драйверы или утилиты, которые использует установленная операционная система.

- 5 *В Windows 9x и Windows Me* щелкните ссылку на утилиту **Dell Dock Quick Install**.

Файл **Dell Dock Quick Install** – это утилита, которая устанавливает на компьютер необходимые драйверы стыковочных устройств.

В Windows NT щелкните ссылку **Softex Docking Services**.

- 6 Нажмите кнопку **Install** (Установить), чтобы начать автоматическую установку. Для завершения установки выполните инструкции в окне приветствия.



ПРИМЕЧАНИЕ. На некоторых компакт-дисках ResourceCD пользователь должен самостоятельно найти в папках нужный драйвер. Подробные инструкции по установке драйверов см. в *Руководстве пользователя*.

Установка драйверов стыковочных устройств с веб-сайта Dell

- 1 Зайдите на веб-сайт службы технической поддержки корпорации Dell по адресу: **http://support.dell.com**. При первом посещении сайта нужно выбрать свою страну на представленной карте.

Откроется страница **Welcome to support.dell.com** (Добро пожаловать на сайт support.dell.com).

- 2 Введите сведения о своем стыковочном устройстве и щелкните ссылку **Go!** (Вперед).

Щелкните ссылку **Downloads For Your Dell** (Программное обеспечение для вашего устройства Dell).

Появится окно **Downloads For Your Dell** (Программное обеспечение для вашего устройства Dell), содержащее краткую форму для заполнения.

- 3 Введите метку системы производителя или выберите метку системы Dell.
- 4 Выберите свою операционную систему и язык операционной системы.
- 5 Выберите **System and Configuration Utilities** (Системные утилиты и конфигурация) в качестве категории загрузки.
- 6 Выберите пункт **Go!** (Вперед).
- 7 В *Windows 9x* и *Windows Me* найдите и щелкните ссылку на утилиту **Dell Dock QuickInstall**.

В *Windows NT* найдите и щелкните ссылку **Softex Docking Services**.

- 8 Загрузите и установите необходимые драйверы, следуя инструкциям на экране.

- 9 После загрузки файлов и перед установкой драйверов просмотрите файл **readme.txt**, который входит в число загруженных файлов и содержит важные сведения по установке.

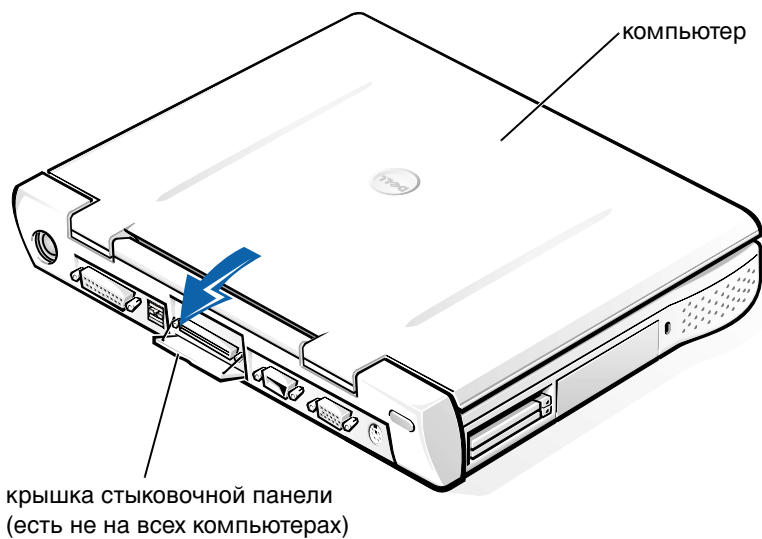
Стыковка компьютера

Если подсоединить к стыковочной станции монитор и включить его, изображение выдается на экран монитора. Чтобы вывести изображение на дисплей компьютера или одновременно на монитор и дисплей компьютера, нажмите клавиши <Fn><F8>.

После стыковки и включения компьютера загорится зеленый индикатор питания на базовом стыковочном блоке управления (см. рисунок "Органы управления и индикаторы на базе стыковочного устройства").

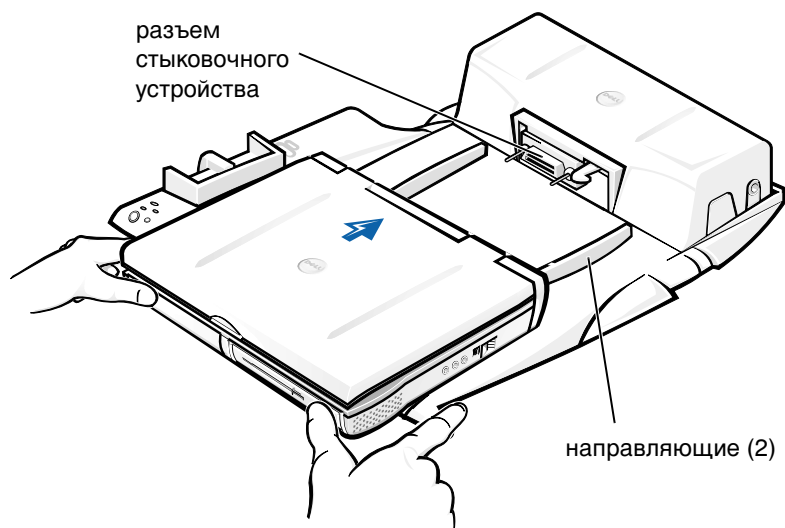
- ➔ **ЗАМЕЧАНИЕ.** Чтобы избежать потери данных, перед стыковкой компьютера сохраните все открытые файлы.
 - 1 Сохраните все файлы, закройте все приложения, завершите работу операционной системы и выключите компьютер.
- ➔ **ЗАМЕЧАНИЕ.** Чтобы избежать повреждения стыковочного разъема, перед стыковкой откройте крышку стыковочной панели.
 - 2 Если на задней панели компьютера есть крышка стыковочной панели, откройте ее.

Крышка стыковочной панели компьютера



- 3 Если используется стыковочное устройство с подставкой для монитора, закройте дисплей компьютера.
- 4 Убедитесь, что рычаг отстыковки/блокировки находится в открытом положении.
- 5 Пристыкуйте компьютер к устройству следующим образом.

Стыковка компьютера



- a Расположите компьютер горизонтально по центру платформы повторителя портов, задней панелью к стыковочному разъему, как показано на рисунке "Стыковка компьютера".
- b Двигайте компьютер по направлению к разъему, пока не почувствуете, что желобки на нижней панели компьютера вошли в направляющие.

➔ **ЗАМЕЧАНИЕ.** Попытка с усилием вставить компьютер в повторитель портов, не совместив его с направляющими, может привести к повреждению стыковочного разъема компьютера.

➔ **ЗАМЕЧАНИЕ.** Когда компьютер и стыковочное устройство соединены, не приподнимайте их по отдельности – так можно повредить разъемы компьютера и стыковочного устройства.

➔ **ЗАМЕЧАНИЕ.** Если используется монитор на подставке, снимите его, прежде чем возвращать базу стыковочного устройства на место.

- c Аккуратно двигайте компьютер вперед, пока он полностью не войдет в стыковочный разъем.

Первая стыковка в Windows XP и Windows 2000

- 1 Пристыкуйте и включите компьютер.
- 2 Чтобы запустить программу настройки системы во время загрузки системы, нажмите клавишу <F2>.
- 3 Задайте параметру **Docking IRQ** (Запрос на прерывание IRQ для стыковочного устройства) значение **Optimized** (Оптимальный).
- 4 Задайте параметру **Universal Connect** (Универсальное соединение) значение **Enabled** (Включен).
- 5 Выйдите из программы настройки системы.

Процесс загрузки будет продолжен.

В Windows 2000 появится окно **мастера установки оборудования**.



ПРИМЕЧАНИЕ. В Windows XP операционная система установит драйверы автоматически. В Windows 2000 **мастер установки оборудования** установит драйверы автоматически.

Первая стыковка в Windows Me

- 1 Пристыкуйте и включите компьютер.
- 2 Чтобы запустить программу настройки системы во время загрузки системы, нажмите клавишу <F2>.
- 3 Задайте параметру **Docking IRQ** (Запрос на прерывание IRQ для стыковочного устройства) значение **Optimized** (Оптимальный).
- 4 Задайте параметру **Universal Connect** (Универсальное соединение) значение **Enabled** (Включен).
- 5 Выйдите из программы настройки системы.

Процесс загрузки будет продолжен.

Появится окно **Add New Hardware Wizard** (Мастер установки оборудования).

- 6 Выберите вариант **Search for the Best Driver for Your Device (Recommended)** (Произвести поиск подходящего драйвера для устройства – рекомендуется) и нажмите кнопку **Next** (Далее).
- 7 Нажмите кнопку **Next**.
- 8 Выполняйте инструкции в окне **мастера установки оборудования**.

- 9 Когда вас попросят, выберите вариант **Search for the Best Driver for Your Device (Recommended)** (Произвести поиск подходящего драйвера для устройства – рекомендуется) и нажмите кнопку **Next**.
- 10 Продолжайте выполнять инструкции, чтобы завершить установку.
Появится изображение рабочего стола Windows, и установка будет завершена.

Первая стыковка в Windows NT 4.0

- 1 Пристыкуйте и включите компьютер.
- 2 Чтобы запустить программу настройки системы, нажмите клавишу <F2> во время загрузки системы или клавиши <Fn><F1> после загрузки.
- 3 Задайте параметру **Docking IRQ** (Запрос на прерывание IRQ для стыковочного устройства) значение **Optimized** (Оптимальный).
- 4 Задайте параметру **Universal Connect** (Универсальное соединение) значение **Enabled** (Включен).
- 5 Выйдите из программы настройки системы.
- 6 Нажмите клавиши <Ctrl><Alt> для входа в систему.
Появится окно **Docking Station Setup** (Настройка стыковочной станции) с сообщением о том, что для продолжения работы необходимо отстыковать компьютер.
- 7 Нажмите кнопку **OK** и дождитесь выключения компьютера.
- 8 Отстыкуйте компьютер (см. раздел "Отстыковка компьютера").
Компьютер перезагрузится автоматически. Если перезагрузка не выполняется, включите компьютер.
- 9 Нажмите кнопку **Start** (Пуск) и выберите пункт **Shut Down** (Завершение работы).
- 10 Дождитесь полного выключения компьютера и снова пристыкуйте его к стыковочному устройству.
Компьютер перезагрузится автоматически. Если перезагрузка не выполняется, включите компьютер.
- 11 Нажмите клавиши <Ctrl><Alt> для входа в систему.
Компьютер автоматически определит новые устройства.

- 12 Когда вас попросят, выберите вариант **Install System Provided Driver for the Selected Device (Recommended)** (Установить предложенный системой драйвер для выбранного устройства – рекомендуется) и нажмите кнопку **OK**.
- 13 Нажмите кнопку **Continue** (Продолжить) в окне **Windows NT Setup** (Настройка Windows NT).
- 14 Выберите вариант **Install System Provided Driver for the Selected Device (Recommended)** (Установить предложенный системой драйвер для выбранного устройства – рекомендуется) и нажмите кнопку **OK**.
- 15 В раскрывающемся меню выберите название своей сетевой платы (NIC).
- 16 Укажите, следует ли сетевому адаптеру получить IP-адрес от сервера или использовать заданный IP-адрес.

Если вы не знаете, что выбрать, посоветуйтесь с системным администратором.
- 17 Продолжайте выполнять инструкции, чтобы завершить установку.

Появится изображение рабочего стола Windows, и установка будет завершена.

Пристыкованный компьютер не может быть переведен в режим ожидания Suspend-to-Disk.

Первая стыковка в Windows 98

- 1 Пристыкуйте и включите компьютер.
- 2 Чтобы запустить программу настройки системы, нажмите клавишу <F2> во время загрузки системы или клавиши <Fn><F1> после загрузки.
- 3 Задайте параметру **Docking IRQ** (Запрос на прерывание IRQ для стыковочного устройства) значение **Optimized** (Оптимальный).
- 4 Задайте параметру **Universal Connect** (Универсальное соединение) значение **Enabled** (Включен).
- 5 Выйдите из программы настройки системы.

Компьютер обнаружит новое устройство.

- 6 Нажмите кнопку **OK** в окне **Configuration Setup** (Настройка конфигурации).

Появится окно **Add New Hardware Wizard** (Мастер установки оборудования).

- 7 Нажмите кнопку **Next** (Далее).
- 8 Выберите вариант **Search for the Best Driver for Your Device (Recommended)** (Произвести поиск подходящего драйвера для устройства – рекомендуется) и нажмите кнопку **Next**.

- 9 Удалите флажки всех параметров и нажмите кнопку **Next**.

Появится окно с сообщением о том, что операционная система Windows готова установить наиболее подходящий драйвер устройства.

- 10 Выполняйте инструкции в окне **мастера установки оборудования**.

- 11 Когда вас попросят, выберите вариант **Search for the Best Driver for Your Device (Recommended)** (Произвести поиск подходящего драйвера для устройства – рекомендуется) и нажмите кнопку **Next**.

- 12 Продолжайте выполнять инструкции, чтобы завершить установку.

Появится изображение рабочего стола Windows, и установка будет завершена.

Первая стыковка в Windows 95

- 1 Пристыкуйте и включите компьютер.
- 2 Чтобы запустить программу настройки системы, нажмите клавишу <F2> во время загрузки системы или клавиши <Fn><F1> после загрузки.
- 3 Задайте параметру **Docking IRQ** (Запрос на прерывание IRQ для стыковочного устройства) значение **Optimized** (Оптимальный).
- 4 Задайте параметру **Universal Connect** (Универсальное соединение) значение **Enabled** (Включен).
- 5 Выйдите из программы настройки системы.
Компьютер автоматически обнаружит новое оборудование.
- 6 В окне **System Settings Change** (Изменение системных настроек) нажмите кнопку **Yes** (Да).

Компьютер перезагрузится и автоматически обнаружит новое оборудование.

- 7 Нажмите кнопку **ОК** в окне **Network (Сеть)**.
- 8 В следующем окне **Network (Сеть)** перейдите на вкладку **Identification (Идентификация)**.
- 9 Заполните поля **Computer Name (Имя компьютера)** и **Workgroup (Рабочая группа)**, по которым компьютер будет опознаваться в сети, и нажмите кнопку **Close (Заккрыть)**.


Если вы не знаете, что вводить в поля **Computer Name** и **Workgroup**, обратитесь к системному администратору.

 **ПРИМЕЧАНИЕ.** Значения **Computer Name** и **Workgroup** необходимы для продолжения установки драйверов.

Компьютер автоматически копирует файлы и создает базу данных с информацией о драйверах.

- 10 Нажмите кнопку **ОК** в окне **Configuration Setup (Настройка конфигурации)**.
- 11 Продолжайте выполнять инструкции, чтобы завершить установку.

Появится изображение рабочего стола Windows, и установка будет завершена.

 **ПРИМЕЧАНИЕ.** Для работы с разъемами шины USB необходимо установить средства поддержки USB с компакт-диска *Resource* в каталог **Win95\OSUpdate**. Если установить средства поддержки USB, компьютер не сможет переходить в режим ожидания Suspend. Корпорация Dell не рекомендует устанавливать дополнительное программное обеспечение USB, если вы не собираетесь использовать устройства USB.

Обновление драйверов в Windows XP и Windows 2000

Чтобы обновить драйверы в Windows XP и Windows 2000, выполните следующие действия.

- 1 Щелкните правой кнопкой мыши значок **My Computer (Мой компьютер)** и выберите пункт **Manage (Управление)**.
(В Windows XP нажмите кнопку **Start (Пуск)** и выберите пункт **My Computer**. В Windows 2000 значок **My Computer** находится на рабочем столе Windows.)

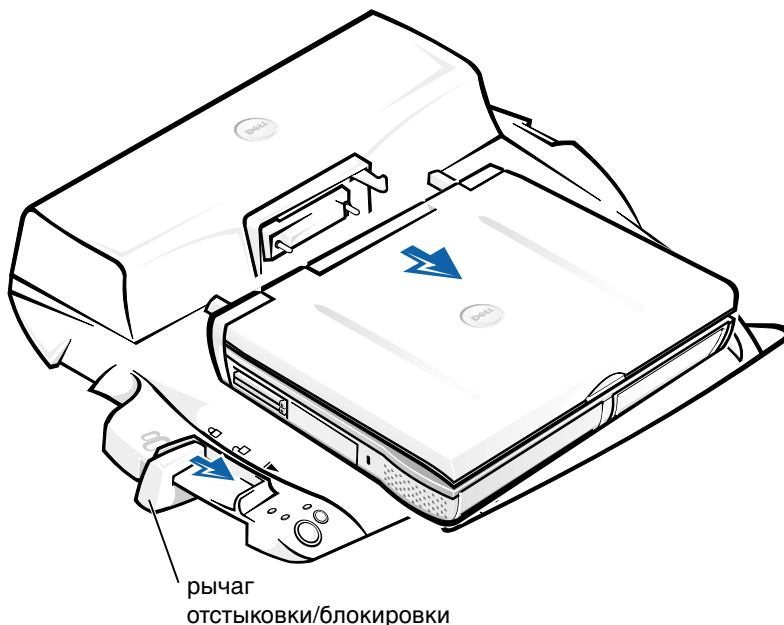
- 2 В окне **Computer Management** (Управление компьютером) щелкните пункт **Device Manager** (Диспетчер устройств), затем дважды щелкните **Network Adapters** (Сетевые платы).
- 3 Дважды щелкните **3Com 3C920 Integrated Fast Ethernet Controller**.
- 4 Перейдите на вкладку **Driver** (Драйвер).
- 5 Нажмите кнопку **Update Driver** (Обновить драйвер) и выполняйте инструкции на экране.

Обновление драйверов в Windows Me

Чтобы обновить драйверы в Windows Me, выполните следующие действия.

- 1 Щелкните правой кнопкой мыши значок **My Computer** (Мой компьютер) на рабочем столе и выберите команду **Properties** (Свойства).
- 2 В окне **System Properties** (Свойства системы) щелкните пункт **Device Manager** (Диспетчер устройств), затем дважды щелкните **Network Adapters** (Сетевые платы).
- 3 Дважды щелкните **3Com 3C920 Integrated Fast Ethernet Controller**.
- 4 Перейдите на вкладку **Driver** (Драйвер).
- 5 Нажмите кнопку **Update Driver** (Обновить драйвер) и выполняйте инструкции на экране.

Отстыковка компьютера



- ➔ **ЗАМЕЧАНИЕ.** Если компьютер не питается от батареи, после отстыковки он выключится, и все несохраненные данные будут потеряны.
- ➔ **ЗАМЕЧАНИЕ.** Не производите отстыковку, не подготовив компьютер. Отстыковка без соответствующей подготовки может привести к потере данных и невозможности возобновить нормальную работу компьютера в течение нескольких минут или вообще.

Подготовьте компьютер к отстыковке одним из следующих способов.

- Нажмите на клавиатуре компьютера клавиши <Fn><Esc> (или клавиши <Scroll Lock><Esc> на внешней клавиатуре).
Подождите несколько секунд, пока на компьютере не погаснет индикатор питания.
- В *Windows XP* нажмите кнопку **Start** (Пуск) и выберите пункт **Undock Computer** (Отстыковать компьютер).

В *Windows 95, Windows 98, Windows 2000 и Windows Me* нажмите кнопку **Start** (Пуск) и выберите пункт **Eject PC** (Отсоединить компьютер).

В *Windows NT* щелкните на панели инструментов значок стыковочной станции и выберите команду **Undock** (Отстыковать), чтобы перевести компьютер в режим ожидания Suspend.

Подождите несколько секунд, пока на компьютере не погаснет индикатор питания.

- Нажмите кнопку запроса отстыковки на базе стыковочного устройства (см. рисунок "Органы управления и индикаторы на базе стыковочного устройства"). Дождитесь выключения зеленого индикатора стыковки.

Защита повторителя порта C/Port II APR

Средства защиты

Стыковочное устройство имеет следующие средства защиты.

- Рычаг отстыковки/блокировки, который позволяет закрепить или отсоединить компьютер. В заднем положении рычаг прикрепляет компьютер к повторителю порта C/Port II APR. При среднем положении рычага стыковочным устройством можно пользоваться, но оно не закреплено. Переднее положение рычага отсоединяет компьютер от стыковочного устройства. Чтобы использовать висячий замок и отверстие для защитного замка, передвиньте рычаг отстыковки/блокировки в заднее положение.
- Подпружиненная защелка на передней части базы, входящая в отверстие на нижней стороне корпуса компьютера, фиксирует положение компьютера на базе стыковочной станции. Отверстие для блокировки есть не на всех компьютерах Dell.
- Защитная кнопка извлечения накопителей из модуля дисководов, препятствующая удалению накопительных устройств.
- Блокирующая защелка, препятствующая несанкционированному отсоединению компьютера.

Защита повторителя порта C/Port II APR

Защитить стыковочное устройство можно следующими способами.

- Используйте или только висячий замок, или висячий замок и петлю защитного троса в отверстии для защитного замка на стыковочном устройстве (см. рисунок "Органы управления и индикаторы на базе стыковочного устройства").

Висячий замок блокирует рычаг отстыковки, что затрудняет отсоединение компьютера от стыковочного устройства.

Чтобы предотвратить несанкционированное перемещение компьютера и повторителя порта C/Dock II APR, следует использовать защитный трос, закрепленный вокруг неподвижного предмета, и висячий замок.

- Вставьте подходящее серийное блокировочное устройство в отверстие для защитного замка на стыковочном устройстве (см. рисунок "Органы управления и индикаторы на базе стыковочного устройства").

Блокировочные устройства обычно состоят из витого металлического троса и прикрепленного к нему замка с ключом. Корпорация Dell рекомендует использовать замок Kensington. Инструкции по установке блокировочных устройств этого типа содержатся в сопроводительной документации по устройству.

Программа диагностики Dell Diagnostics

В программу диагностики Dell Diagnostics, поставляемую вместе с компьютером Dell Latitude, входят тесты, с помощью которых можно проверять контроллеры стыковочной станции.

Подтесты в группе **Network Interface** (Сетевой интерфейс) программы Dell Diagnostics проверяют основные функции сетевого контроллера стыковочного устройства. Они тестируют внутренние функции контроллера, включая доступ к его регистрам для чтения и записи, а также внутреннюю передачу и прием (с использованием заглушки).

Подтесты в группе **Serial/Infrared Ports** (Последовательные и инфракрасные порты) проверяют возможности обмена данными между стыковочным устройством и внешними устройствами (например, мышью, подключаемой через последовательный порт, или принтером). Подтесты этой группы не предназначены для диагностики самих внешних устройств.

Подтесты в группе **USB** проверяют возможности обмена данными между стыковочным устройством и внешними устройствами (например, мышью). Подтесты этой группы не предназначены для диагностики самих внешних устройств.

Полную информацию о программе Dell Diagnostics можно найти в *Руководстве пользователя* компьютера.

Спецификации

Спецификации

Габариты

Высота:

С подставкой для монитора	10,2 см (4,0 дюйма)
Без подставки	5,8 см (2,3 дюйма)

Глубина:

С подставкой для монитора	39,0 см (15,4 дюйма)
Без подставки	35,8 см (14,1 дюйма)

Ширина:

С подставкой для монитора	40,9 см (16,1 дюйма)
Без подставки	37,5 см (14,8 дюйма)

Вес:

С подставкой для монитора	3,0 кг (6,5 фунта)
Без подставки	1,6 кг (3,5 фунта)

Электропитание

Адаптер переменного тока:

Напряжение	100-200 В переменного тока, 50-60 Гц
Сила тока	1,5 А

Входные характеристики повторителя порта:

Напряжение	20 В постоянного тока через адаптер переменного тока
Сила тока	3,5 А

Спецификации

Ввод/вывод

Последовательный порт (DTE)	16550-совместимый, с 16-разрядным буфером
Параллельный порт	Однонаправленный, двунаправленный или порт ECP
PS/2	Два разъема mini-DIN
USB	Два USB-совместимых разъема
Инфракрасный порт	Инфракрасный порт, соответствующий стандартам 1.1 (Fast IR) и 1.0 ассоциации IrDA
Аудиовыход	Гнездо для аудиоустройств (для дополнительных наушников)
Видеовыход	Один разъем
Сеть	Один разъем RJ-45
Стыковочный разъем (для соединения с компьютером)	Один разъем

Контроллер для сетей Ethernet

Набор микросхем	3Com [®] 3C920; 10/100 BASE-TX (PC99-совместимый)
Разрядность шины данных	32-разрядная шина с интерфейсом PCI host
IRQ	IRQ10

Инструкции по технике безопасности и электромагнитной совместимости для портативных компьютеров

Далее приведено описание *дополнительных* символов, используемых *только* в инструкциях по технике безопасности и электромагнитной совместимости.



Опасность взрыва



Перевозки воздушным транспортом



Опасность возгорания



Использование этой возможности в самолете может быть запрещено



Опасность поражения электрическим током



Инструкции по технике безопасности

Общие положения

- При подготовке повторителя порта APR к работе поставьте его на ровную поверхность.
- Не пытайтесь производить текущий ремонт и обслуживание повторителя порта APR самостоятельно, если вы не являетесь сертифицированным специалистом службы технической поддержки. Всегда точно следуйте инструкциям по установке.
- Если адаптер переменного тока подключается через удлинитель, то общая потребляемая мощность всех устройств, подключенных к удлинителю, не должна превышать максимальную потребляемую мощность удлинителя.



- Не вставляйте никаких предметов в вентиляционные и другие отверстия компьютера. Это может вызвать короткое замыкание внутренних компонентов и, как следствие, привести к пожару или поражению электрическим током.



- Если для работы компьютера или подзарядки батареи используется адаптер переменного тока, он должен находиться на открытом месте, например, на столе или на полу. Не накрывайте адаптер переменного тока газетами или другими предметами, препятствующими охлаждению, и не используйте его, когда он находится в сумке для перевозки.



- Не пользуйтесь компьютером в помещениях с высокой влажностью, например, вблизи ванных комнат, плавательных бассейнов или в сырых подвальных помещениях.



- Во избежание поражения электрическим током не производите соединение кабелей, обслуживание или перенастройку компьютера во время грозы. В это время работать с компьютером можно, только если все кабели отсоединены и компьютер питается от батареи.
- Пользуйтесь только теми адаптерами переменного тока и аккумуляторными батареями, которые разрешено применять с этим повторителем портов APR, как указано в данном документе. Использование других типов аккумуляторных батарей и адаптеров переменного тока может привести к возгоранию или взрыву.
- Перед чисткой стыковочного устройства выключите питание и отсоедините адаптер переменного тока от электросети. Чистите стыковочное устройство мягкой влажной тряпочкой. Не используйте жидкие и аэрозольные очистители, которые могут содержать огнеопасные вещества.



Электропитание (инструкции по технике безопасности)



- Пользуйтесь только адаптером переменного тока, поставляемым для этого повторителя портов APR корпорацией Dell. Использование других адаптеров может привести к пожару или взрыву.
- Перед подключением повторителя портов APR к электросети убедитесь, что номинальное напряжение адаптера переменного тока соответствует номинальному напряжению и частоте тока в сети.
- Чтобы обесточить компьютер, выключите его и отсоедините адаптер переменного тока от электросети.



- Во избежание поражения электрическим током подключайте адаптер переменного тока и кабели питания периферийных устройств к правильно заземленным источникам питания. Эти кабели оснащены трехконтактными вилками, которые обеспечивают надежное заземление. Не пользуйтесь адаптерными разъемами и не удаляйте заземляющий контакт из вилки. При необходимости используйте для подключения к кабелю адаптера двух- или трехконтактный удлинитель.
- Не кладите никаких предметов на кабель питания адаптера и держите его в таком месте, где на него нельзя наступить или задеть ногой.



- Если используется удлинитель на несколько розеток, будьте внимательны при подключении кабеля адаптера. В некоторые удлинители можно вставить разъем неправильно. Это может привести к повреждению компьютера, а также к поражению электрическим током или пожару. Убедитесь, что заземляющий контакт разъема питания вставлен в заземленное гнездо розетки удлинителя.

Законодательство и стандарты

Электромагнитные помехи (Electromagnetic Interference – EMI) – это любое излучение или сигналы, излучаемые в свободном пространстве, а также вдоль силовых или сигнальных кабелей. Они угрожают работе радионавигационных приборов и других служб безопасности, а также значительно ухудшают, затрудняют или периодически прерывают работу лицензированной службы радиосвязи. Службы радиосвязи включают, в частности, коммерческое радиовещание в диапазоне AM/FM, телевидение, сотовую связь, радиолокационные установки, авиадиспетчерские службы, пейджинговые службы и службы персональной связи (Personal Communication Services – PCS). Эти лицензированные службы и источники непреднамеренного излучения, например, цифровые устройства (включая компьютеры), создают электромагнитную среду.

Электромагнитной совместимостью (Electromagnetic Compatibility – EMC) называют способность электронного оборудования правильно работать в окружении электронных приборов. Хотя этот компьютер разработан с учетом законодательства по электромагнитным помехам, гарантировать отсутствие помех в каждом конкретном устройстве невозможно. Если данное оборудование создает помехи в работе служб радиосвязи, что можно определить, отключив это оборудование и снова включив его, попытайтесь устранить помехи с помощью одного или нескольких указанных ниже способов.

- Переориентируйте приемную антенну.
- Измените положение компьютера относительно приемника.
- Отодвиньте компьютер от приемника.
- Подключите компьютер к другой розетке таким образом, чтобы питание компьютера и приемника осуществлялось от разных электроцепей.

Если необходимо, проконсультируйтесь у представителя службы технической поддержки корпорации Dell или у опытного радиотехника.

Компьютеры Dell проектируются, тестируются и классифицируются в соответствии с типом электромагнитного окружения, в котором предполагается их использовать. Такая классификация по электромагнитному окружению обычно основана на следующих согласованных определениях.

- Устройства класса А обычно рассчитаны на работу в производственных или промышленных условиях.
- Устройства класса В обычно предназначены для использования в жилых районах.

Информационно-технологическое оборудование, включая платы расширения, принтеры, устройства ввода/вывода, мониторы и прочие устройства, встраиваемые в компьютер или подключаемые к нему, должно соответствовать классу электромагнитного окружения компьютера.

Замечание по поводу экранированных сигнальных кабелей.

Для подключения периферийных устройств к любому устройству корпорации Dell используйте только экранированные кабели, чтобы уменьшить возможность возникновения помех для служб радиосвязи. Использование экранированных кабелей гарантирует соблюдение соответствующего стандарта электромагнитной совместимости для рабочей среды. Кабель для подключения принтера к параллельному порту можно приобрести у корпорации Dell. При желании можно заказать кабель на веб-узле корпорации Dell по адресу: <http://accessories.us.dell.com/>.

Большинство компьютеров Dell предназначены для использования в электромагнитных средах класса В. Однако включение некоторых параметров может изменить разряд некоторых конфигураций на класс А. Класс компьютера или устройства по электромагнитному излучению можно определить с помощью информации из разделов по отдельным странам. В каждом разделе содержится специфическая информация по EMC/EMI или по безопасности устройства для конкретной страны или группы стран.

Требования ЕС (Европейский Союз)

Знак **CE** на компьютере означает, что этот компьютер соответствует требованиям директив по электромагнитной совместимости и ограничению напряжения, принятым в странах Европейского Союза. Эта маркировка указывает, что данная система Dell соответствует следующим техническим стандартам:

- EN 55022 – "Limits and Methods of Measurement of Radio Interference Characteristics of Information Technology Equipment" (Предельные параметры и методики измерения характеристик радиопомех информационно-технологического оборудования)
- EN 55024 – "Information technology equipment - Immunity characteristics - Limits and methods of measurement" (Информационно-технологическое оборудование – Характеристики защиты – Ограничения и методы измерения)
- EN 61000-3-2 – "Electromagnetic compatibility (EMC) - Part 3: Limits - Section 2: Limits for harmonic current emissions (Equipment input current up to and including 16 A per phase)" (Электромагнитная совместимость (EMC) – часть 3. Ограничения – раздел 2. Ограничения на эмиссию синусоидальных токов (для оборудования с входным током до 16 А включительно на каждую фазу))
- EN 61000-3-3 – "Electromagnetic compatibility (EMC) - Part 3: Limits - Section 3: Limitation of voltage fluctuations and flicker in low-voltage supply systems for equipment with rated current up to and including 16 A" (Электромагнитная совместимость (EMC) – часть 3. Ограничения – раздел 3. Ограничение на колебания напряжения в низковольтных линиях для оборудования с номинальным током до 16 А включительно)
- EN 60950 – "Safety of Information Technology Equipment" (Безопасность информационно-технологического оборудования)



ПРИМЕЧАНИЕ. В стандарте EN 55022 по требованиям к излучению предусмотрены два класса.

- К классу А относится оборудование для использования в типичных коммерческих областях.
- К классу В относится оборудование для использования в типичных жилых помещениях.

Данное устройство корпорации Dell предназначено для использования в типичных домашних условиях, соответствующих классу В.

В соответствии с вышеуказанными директивами и стандартами разработана "Декларация соответствия" (Declaration of Conformity), которая хранится в европейском отделении корпорации Dell по адресу: Dell Computer Corporation Products Europe BV, Limerick, Ireland.

Маркировка для стран ЕС

Данное устройство соответствует требованиям Директивы Европейского Союза 1999/5/ЕС.

Dell™ Latitude™ C/Port II APR

Guía de información del sistema

Notas, avisos y precauciones



NOTA: Una NOTA proporciona información importante que le ayuda a utilizar su ordenador de la mejor manera posible.



AVISO: Un AVISO indica un posible daño en el hardware o la pérdida de datos y le explica cómo evitar el problema.



PRECAUCIÓN: Una PRECAUCIÓN indica un posible daño material, lesión corporal o muerte.

La información contenida en este documento puede modificarse sin aviso previo.

© 2001 Dell Computer Corporation. Reservados todos los derechos.

Queda estrictamente prohibida la reproducción de este documento de cualquier manera sin la autorización por escrito de Dell Computer Corporation.

Marcas comerciales utilizadas en este texto: *Dell*, el logotipo de *DELL*, *Latitude* y *DellWare* son marcas comerciales de Dell Computer Corporation; *3Com* es marca comercial de 3Com Corporation; *Microsoft*, *Windows*, y *Windows NT* son marcas registradas de Microsoft Corporation.

Este documento puede incluir otras marcas y nombres comerciales para referirse a las entidades que son propietarias de los mismos o a sus productos. Dell Computer Corporation renuncia a cualquier interés sobre la propiedad de marcas y nombres comerciales que no sean los suyos.

Este producto incorpora tecnología de protección de copyright amparada por reclamaciones de método de ciertas patentes de E.E.U.U. y otros derechos de propiedad intelectual de Macrovision Corporation y otros propietarios. La utilización de la tecnología de protección de copyright debe estar autorizada por Macrovision Corporation y su finalidad es el uso doméstico y otros tipos de visualización con carácter limitado, a menos que Macrovision Corporation lo autorice expresamente. Se prohíbe la ingeniería inversa y el desensamblaje.

Octubre de 2001 P/N 4G281 Rev. A01

Guía de información del sistema

Este documento contiene información introductoria y sobre seguridad, regulaciones e información sobre la garantía del replicador de puertos avanzado Dell Latitude C/Port II (APR), así como información acerca de otros documentos de Dell disponibles y cómo obtenerlos.

Otros documentos disponibles

- Actualizaciones de la documentación, que algunas veces se incluyen con el dispositivo de acoplamiento para describir cambios en el dispositivo de acoplamiento o en el software. Lea siempre estas actualizaciones *antes* de consultar cualquier otra documentación, ya que las actualizaciones suelen contener la información más reciente.
- Se incluye la documentación de cualquier opción que haya adquirido independientemente de su dispositivo de acoplamiento. Esta documentación incluye información necesaria para configurar e instalar estas opciones en el dispositivo de acoplamiento.

Obtención de ayuda

Dell proporciona una serie de herramientas para ayudarle en el caso de que el dispositivo de acoplamiento no funcione como es de esperar. Si desea obtener información sobre estas herramientas de ayuda, consulte la sección “Obtención de ayuda” en la *Guía del usuario* del ordenador.

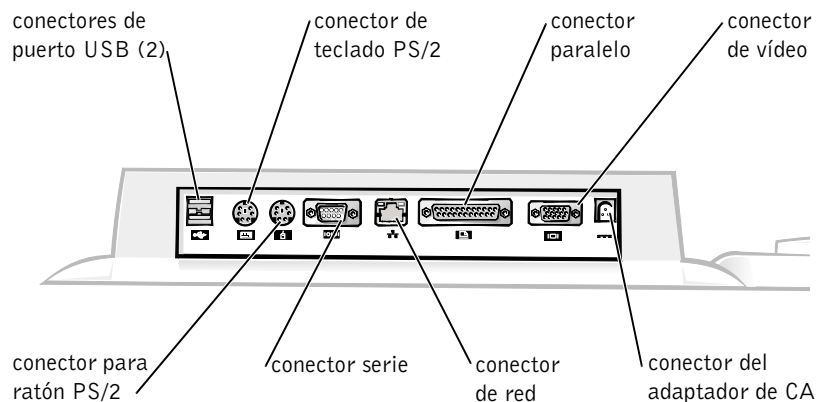
Descripción del dispositivo de acoplamiento

NOTA: Informe al administrador de la red antes de conectar el dispositivo de acoplamiento a una red.

Debe conectar un adaptador de CA al dispositivo de acoplamiento antes de acoplar el ordenador al dispositivo de acoplamiento y encender el ordenador. El adaptador de CA alimenta al dispositivo de acoplamiento y al ordenador a la vez. La batería instalada en el ordenador se carga mientras se utiliza el dispositivo de acoplamiento.





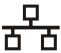



AVISO: Siempre utilice el adaptador de CA Dell incluido con el dispositivo de acoplamiento. Si utiliza cualquier otro adaptador de CA disponible en el mercado (o un adaptador de CA de modelos anteriores de ordenadores Dell) puede dañar el dispositivo de acoplamiento o el ordenador.

Panel de E/S del dispositivo de acoplamiento

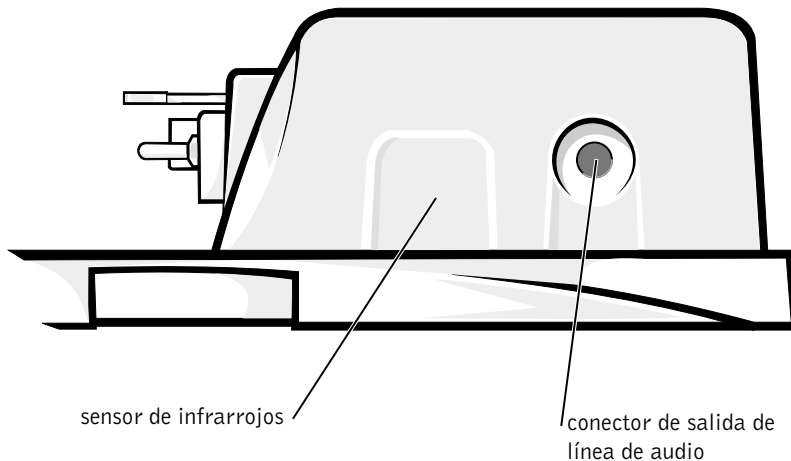


La tabla de Conectores E/S externos muestra los iconos de cada uno de los conectores situados en la parte posterior del APR e indica el tipo de los dispositivos externos que se pueden conectar a cada conector.

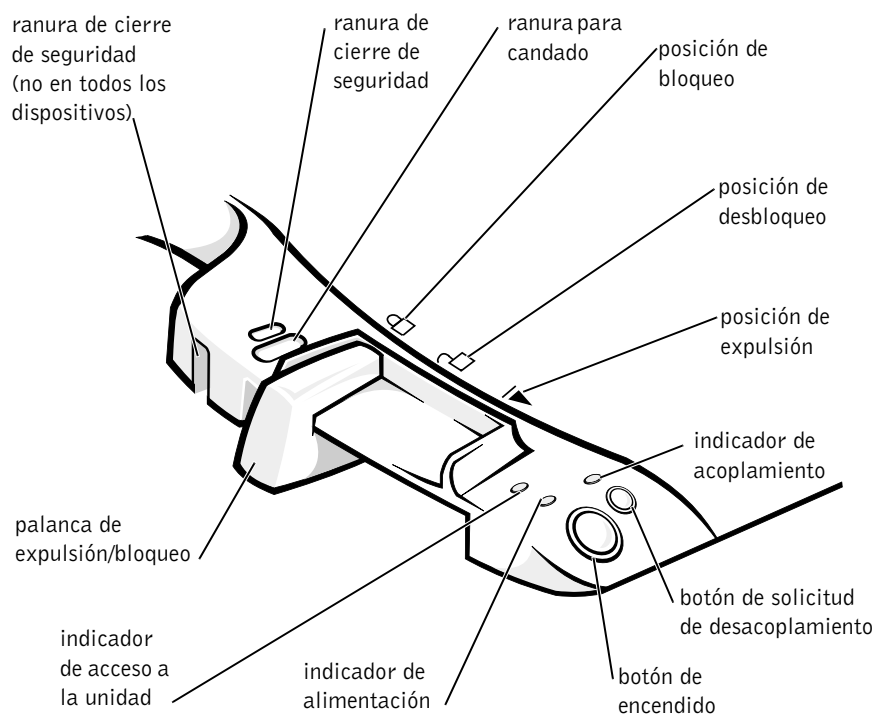
Conectores E/S externos

Icono del conector	Descripción del conector
	Uno o dos dispositivos USB, como puede ser un ratón USB, se conectan al conector USB dual.
	Un teclado externo estilo PS/2 o un teclado numérico externo se conecta al conector de teclado PS/2.
	Un ratón compatible externo PS/2 se conecta al conector de ratón PS/2.
	Un dispositivo serie, como puede ser un ratón serie o un módem externo, se conecta al conector del puerto serie.
	Un cable de interfaz de red se conecta al conector NIC.
	Un dispositivo paralelo, como puede ser una impresora, se conecta al conector de puerto paralelo.
	Un monitor externo se conecta al conector de vídeo.
	El adaptador de CA incluido con el APR se conecta al conector del adaptador de CA.

Conectores de audio y sensor de infrarrojos



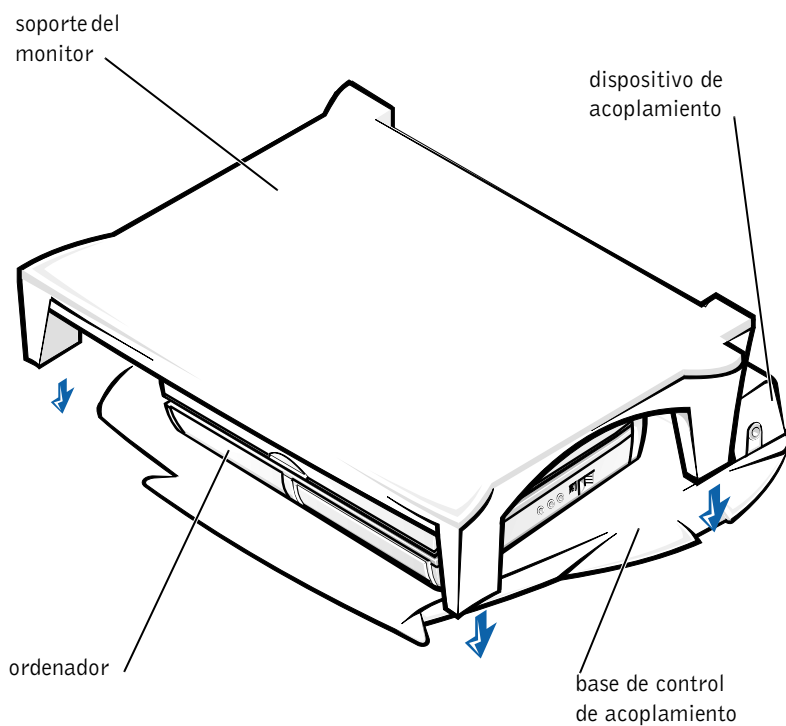
Controles e indicadores de base de control de acoplamiento



Soporte del monitor

- ➔ **AVISO:** El soporte admite monitores con un peso de hasta 45,3 kilogramos (kg) (100 libras [lb]). Los monitores más pesados pueden dañar el soporte, el ordenador y el dispositivo de acoplamiento.

Dispositivo de acoplamiento con la base para monitor



NOTA: Asegúrese de que las patas traseras del soporte del monitor encajan en las ranuras situadas a ambos lados de la base de control de acoplamiento.

Antes de acoplar el ordenador

Si el ordenador ejecuta el sistema operativo Microsoft® Windows® 9x, Windows NT® o Windows Millennium (Me), debe comprobar primero los drivers de acoplamiento existentes en el ordenador. Si el ordenador no tiene drivers de acoplamiento, instálelos antes de acoplar el ordenador por primera vez. Para instalar los drivers de acoplamiento, siga los pasos descritos en “Instalación de los drivers de acoplamiento”.



NOTA: Si el ordenador ejecuta el sistema operativo Windows XP o Windows 2000, los drivers se instalarán automáticamente y no será necesario seguir los pasos de “Instalación de los drivers de acoplamiento”. Vaya a “Acoplamiento del ordenador”.

Compruebe los drivers de acoplamiento existentes en el ordenador

- 1 Haga doble clic en **Mi PC**.
- 2 Pulse dos veces sobre **Panel de control**.
- 3 Pulse dos veces sobre **Agregar o quitar programas**.
- 4 Localice los drivers de acoplamiento correctos a partir de la lista de programas.

Para Windows 9x y Windows Me, busque el driver que incluye **Instalación rápida** en el nombre. Por ejemplo: Instalación rápida de Dell Dock para Windows.

Para Windows NT, busque **NT Softex Docking Services**.

Si el ordenador no tiene los drivers de acoplamiento, vaya a la siguiente sección, “Instalación de los drivers de acoplamiento”. Si el ordenador tiene los drivers de acoplamiento, vaya a “Acoplamiento del ordenador”.

Instalación de los drivers de acoplamiento

Puede instalar los drivers de acoplamiento de una de las siguientes maneras:

- Instale los drivers desde el *ResourceCD* (CD de recursos) o desde el CD *Drivers and Utilities* (Drivers y utilidades) que se incluye con el ordenador o el dispositivo de acoplamiento.
- Descargue los drivers del sitio Web de asistencia técnica de Dell.

Instalación de los drivers de acoplamiento desde el *ResourceCD* o el CD *Drivers and Utilities* (Drivers y utilidades)

- 1 Inserte el *ResourceCD* o el CD *Drivers y utilidades* en la unidad de CD.

En la mayoría de los casos, el CD se inicia automáticamente. Si no es así, inicie el Explorador de Windows, pulse sobre el directorio de la unidad de CD para mostrar el contenido del CD y, a continuación, pulse dos veces sobre el archivo de aplicación **autorcd**. Si aparece la pantalla de bienvenida, haga clic en **Siguiente**. La primera vez que ejecute el CD podría pedirle que instale algunos archivos de configuración. Haga clic en **Aceptar** y siga las instrucciones en pantalla para continuar.

- 2 En el menú descendente **Idioma** de la barra de herramientas, seleccione el idioma que desee para el driver.

Aparece una pantalla de bienvenida.

- 3 Haga clic en **Siguiente**.

- 4 Bajo **Search Criteria** (Criterios de búsqueda), seleccione las categorías correspondientes en los menús descendentes **System Model** (Modelo del sistema) y **Operating System** (Sistema operativo).

Si el sistema utiliza Windows 9x o Windows Me, seleccione Utilidades del sistema en el menú descendente **Tipo de dispositivo** y seleccione **Drivers** en el menú descendente **Tema**.

Si el sistema utiliza Windows NT, seleccione Utilidades del sistema en el menú descendente **Tipo de dispositivo** y seleccione **Utilidades** en el menú descendente **Tema**.

Aparecerán uno o varios enlaces para los drivers o utilidades específicos que utiliza su ordenador.

- 5 *Si el sistema utiliza Windows 9x o Windows Me*, haga clic en el enlace para la utilidad **Dell Dock QuickInstall**.

El archivo de **instalación rápida del acoplamiento de Dell** es una utilidad que instala los drivers de acoplamiento necesarios en el ordenador.

Si el ordenador ejecuta Windows NT, pulse sobre el enlace para los **Softex Docking Services**.

- 6 Pulse sobre el botón **Instalar** e inicie la instalación automática. En la pantalla de bienvenida, siga los mensajes que aparecen en pantalla para completar la instalación.



NOTA: Algunos ResourceCD pueden exigir al usuario que se desplace por otras carpetas para conseguir el driver correcto. Para obtener información completa sobre la reinstalación de drivers, consulte la *Guía del usuario*.


Instalación de los drivers de acoplamiento desde el sitio Web de asistencia técnica de Dell

- 1 Vaya al sitio Web de asistencia técnica de Dell, en <http://support.dell.com>. Si va a visitar el sitio Web por primera vez, especifique el país pulsando sobre el mapa que aparece.
Se abre la página **Welcome to support.dell.com**.
- 2 Introduzca la información del dispositivo de acoplamiento y, a continuación, pulse sobre **Go!**
Pulse sobre **Downloads For Your Dell** (Descargas de Dell).
Aparece la ventana **Downloads For Your Dell** (Descargas de Dell), incluido un formulario para que lo rellene.
- 3 Escriba el número de la etiqueta de servicio del sistema o seleccione el sistema Dell.
- 4 Seleccione el sistema operativo y el idioma del sistema operativo.
- 5 Seleccione **Utilidades del sistema y de configuración** como categoría de descarga.
- 6 Pulse sobre **Go!**.
- 7 *Si el ordenador utiliza Windows 9x o Windows Me*, localice y haga clic en el enlace para la utilidad **Dell Dock QuickInstall**.
Si el ordenador ejecuta Windows NT, localice y pulse sobre el enlace para los **Softex Docking Services**.
- 8 Siga las instrucciones de la pantalla para descargar e instalar los drivers necesarios.
- 9 Tras descargar los archivos y antes de instalar los drivers, asegúrese de leer el archivo **readme.txt** incluido en los archivos descargados para obtener información importante sobre la instalación.


Acoplamiento del ordenador

Si conecta un monitor al dispositivo de acoplamiento y enciende el monitor, la imagen de la pantalla aparece en el monitor. Para cambiar la imagen a la pantalla del ordenador, o al monitor y la pantalla del ordenador, pulse <Fn><F8>.

Cuando se acopla el ordenador al dispositivo de acoplamiento y se enciende el ordenador, se enciende el indicador verde de alimentación en la base del control de acoplamiento (véase “Controles e indicadores de base de control de acoplamiento”).

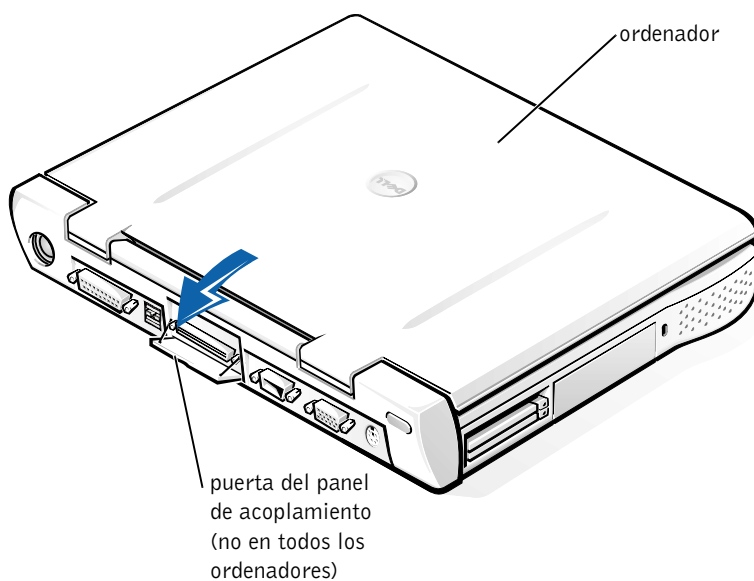
 **AVISO:** Para evitar la pérdida de datos, guarde los archivos abiertos antes de acoplar el ordenador.

- 1 Guarde todos los archivos, cierre y salga de todas los programas de aplicación, salga del sistema operativo y apague el ordenador.

 **AVISO:** Para no dañar el conector de acoplamiento, abra la puerta del panel de acoplamiento antes de intentar acoplar el ordenador al dispositivo de acoplamiento.

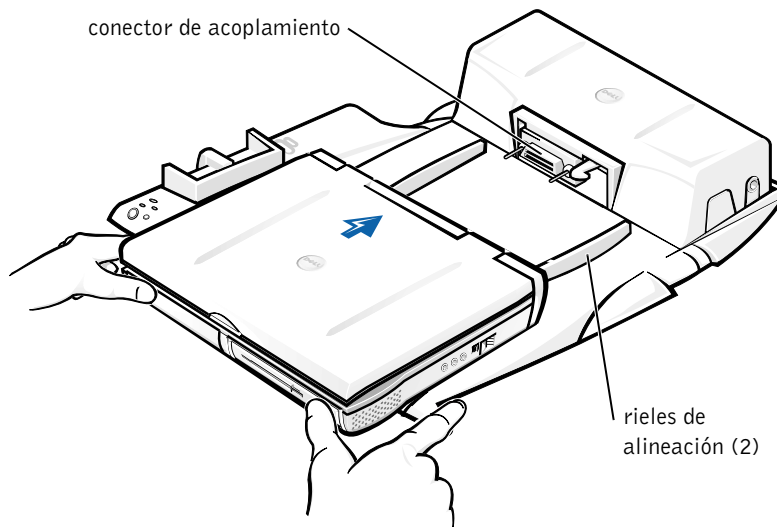
- 2 Si el ordenador tiene una puerta en el panel de acoplamiento, ábrala en la parte posterior del ordenador.

Puerta del panel de acoplamiento en el ordenador



- 3 Si está utilizando el dispositivo de acoplamiento con un soporte para monitor, cierre la pantalla del ordenador.
- 4 Asegúrese de que la palanca de expulsión/bloqueo está en la posición de desbloqueo.
- 5 Acople el ordenador al dispositivo de acoplamiento de la siguiente manera:

Acoplamiento del ordenador



- a Centre horizontalmente el ordenador en la plataforma APR, con la parte posterior del ordenador mirando hacia el conector de acoplamiento del dispositivo de acoplamiento, como se muestra en “Acoplamiento del ordenador”.
- b Deslice el ordenador hacia el conector hasta que los huecos de la parte inferior del ordenador encajen con los rieles de alineación.

➔ **AVISO:** Si intenta insertar el ordenador totalmente en el APR sin encajar los rieles de alineación, podría dañar el conector de acoplamiento de forma irreparable.

➔ **AVISO:** No levante el ordenador o el dispositivo de acoplamiento separadamente cuando estén conectados pues pueden resultar dañados los conectores del ordenador y el dispositivo de acoplamiento.

➔ **AVISO:** Si está utilizando un monitor con el soporte para monitores, retire el monitor del soporte antes de poner en su sitio la base de control de acoplamiento.

- c Empuje con suavidad el ordenador hacia adelante hasta que el conector de acoplamiento esté totalmente encajado.

Acoplamiento por primera vez con Windows XP y Windows 2000

- 1 Acople y encienda el ordenador.
- 2 Pulse <F2> durante la rutina de inicialización del sistema para ver el programa de configuración del sistema.
- 3 Defina **Docking IRQ** (Acoplamiento de IRQ) como **Optimized** (Optimizado).
- 4 Defina **Universal Connect** (Conexión universal) como **Enabled** (Activada).
- 5 Salga del programa de configuración del sistema.
El sistema continuará el proceso de inicialización.

En Windows 2000 aparecerá el **Asistente para agregar nuevo hardware**.



NOTA: Si el ordenador ejecuta *Windows XP*, el sistema operativo instala automáticamente los drivers. Si su ordenador ejecuta *Windows 2000*, el **Asistente para agregar nuevo hardware** instalará automáticamente los drivers.

Acoplamiento por primera vez con Windows Me

- 1 Acople y encienda el ordenador.
- 2 Pulse <F2> durante la rutina de inicialización del sistema para ver el programa de configuración del sistema.
- 3 Defina **Docking IRQ** (Acoplamiento de IRQ) como **Optimized** (Optimizado).
- 4 Defina **Universal Connect** (Conexión universal) como **Enabled** (Activada).
- 5 Salga del programa de configuración del sistema.
El sistema continuará el proceso de inicialización.
Aparecerá el **Asistente para agregar nuevo hardware**.
- 6 Seleccione **Buscar un driver apropiado para el dispositivo (recomendado)** y, a continuación, pulse sobre **Siguiente**.
- 7 Haga clic en **Siguiente**.
- 8 Siga las indicaciones del **Asistente para agregar nuevo hardware**.

- 9 Cuando se le indique, seleccione **Buscar un driver apropiado para el dispositivo (recomendado)** y, a continuación, pulse sobre **Siguiente**.
- 10 Siga las indicaciones para completar la instalación.
Aparece el escritorio de Windows y la instalación finaliza.

Acoplamiento por primera vez con Windows NT 4.0

- 1 Acople y encienda el ordenador.
- 2 Pulse <F2> durante la rutina de inicialización del sistema, o pulse <Fn><F1> después de inicializar el ordenador para ver el programa de configuración del sistema.
- 3 Defina **Docking IRQ** (Acoplamiento de IRQ) como **Optimized** (Optimizado).
- 4 Defina **Universal Connect** (Conexión universal) como **Enabled** (Activada).
- 5 Salga del programa de configuración del sistema.
- 6 Pulse <Ctrl><Alt><Supr> para iniciar la sesión.

Aparece la ventana **Docking Station Setup** (Configuración de la estación de acoplamiento) indicando que el ordenador debe estar desacoplado para continuar.

- 7 Pulse sobre **Aceptar** y espere a que se apague el ordenador.
- 8 Desacople el ordenador (consulte “Desacoplamiento del ordenador”).
El ordenador se reiniciará automáticamente. Si no lo hace, enciéndalo.
- 9 Pulse sobre **Inicio** y seleccione **Apagar el sistema**.
- 10 Espere a que el ordenador se apague completamente y vuelva a acoplarlo al dispositivo de acoplamiento.
El ordenador se reiniciará automáticamente. Si no lo hace, enciéndalo.
- 11 Pulse <Ctrl><Alt><Supr> para iniciar la sesión.
El ordenador detecta automáticamente los nuevos dispositivos.
- 12 Cuando se le indique, seleccione **Install System Provided Driver for the Selected Device (Recommended)** (Instalar el driver proporcionado por el sistema para el dispositivo seleccionado (recomendado)) y pulse sobre **Aceptar**.

- 13** Pulse sobre **Continue** (Continuar) en la ventana **Instalación de Windows NT**.
- 14** Seleccione **Install System Provided Driver for the Selected Device (Recommended)** (Instalar el driver proporcionado por el sistema para el dispositivo seleccionado (recomendado)) y pulse sobre **Aceptar**.
- 15** Seleccione el nombre del controlador de interfaz de red (NIC) desde el menú descendente.
- 16** Seleccione si el adaptador de red debe obtener una dirección IP de un servidor, o si se especifica una dirección IP.
Si no sabe qué debe seleccionar, consulte al administrador del sistema.
- 17** Siga las indicaciones para completar la instalación.

Aparece el escritorio de Windows y la instalación finaliza.

El ordenador no puede entrar en modo de suspensión con almacenamiento en disco mientras está acoplado.

Acoplamiento por primera vez con Windows 98

- 1** Acople y encienda el ordenador.
- 2** Pulse <F2> durante la rutina de inicialización del sistema, o pulse <Fn><F1> después de inicializar el ordenador para ver el programa de configuración del sistema.
- 3** Defina **Docking IRQ** (Acoplamiento de IRQ) como **Optimized** (Optimizado).
- 4** Defina **Universal Connect** (Conexión universal) como **Enabled** (Activada).
- 5** Salga del programa de configuración del sistema.
El ordenador detecta el nuevo hardware.
- 6** Pulse sobre **Aceptar** en la ventana **Configuration Setup** (Configuración de la instalación).
Aparecerá el **Asistente para agregar nuevo hardware**.
- 7** Haga clic en **Siguiente**.

- 8** Seleccione **Buscar un driver apropiado para el dispositivo (recomendado)** y, a continuación, pulse sobre **Siguiente**.
- 9** Retire la marca de comprobación que hay junto a cada opción y pulse sobre **Siguiente**.
Aparece una ventana, indicando que Windows ya puede instalar el mejor driver para el dispositivo.
- 10** Siga las indicaciones del **Asistente para agregar nuevo hardware**.
- 11** Cuando se le indique, seleccione la opción **Buscar un driver apropiado para el dispositivo (recomendado)** y, a continuación, pulse sobre **Siguiente**.
- 12** Siga las indicaciones para completar la instalación.

Aparece el escritorio de Windows y la instalación finaliza.

Acoplamiento por primera vez con Windows 95

- 1** Acople y encienda el ordenador.
- 2** Pulse <F2> durante la rutina de inicialización del sistema, o pulse <Fn><F1> después de inicializar el ordenador para ver el programa de configuración del sistema.
- 3** Defina **Docking IRQ** (Acoplamiento de IRQ) como **Optimized** (Optimizado).
- 4** Defina **Universal Connect** (Conexión universal) como **Enabled** (Activada).
- 5** Salga del programa de configuración del sistema.
El ordenador detecta automáticamente el nuevo hardware.
- 6** Pulse sobre **Sí** en la ventana **System Settings Change** (Cambio de selecciones del sistema).
El ordenador se reinicia y detecta automáticamente el nuevo hardware.
- 7** Pulse sobre **Aceptar** en la ventana **Red**.
- 8** Seleccione la pestaña **Identification** (Identificación) en la siguiente ventana **Red**.

- 9 Escriba un **Nombre del equipo** y un **Grupo de trabajo** que identifique el ordenador en la red, y haga pulse sobre **Cerrar**.

Si no está seguro del **Nombre de equipo** y **Grupo de trabajo** que debe escribir, consulte al administrador del sistema.



NOTA: Debe escribir un **Nombre de equipo** y **Grupo de trabajo** para continuar con la instalación del driver.

El ordenador copia automáticamente archivos y crea una base de datos de información del driver.

- 10 Pulse sobre **Aceptar** en la ventana **Configuration Setup** (Configuración de la instalación).

- 11 Siga las indicaciones para completar la instalación.

Aparece el escritorio de Windows y la instalación finaliza.



NOTA: Para utilizar los conectores USB debe instalar el suplemento USB desde el *ResourceCD* (CD de recursos) en el directorio **Win95\OSUpdate**. Si instala el suplemento USB, el ordenador no puede entrar en el modo de suspensión. Dell recomienda no instalar el suplemento USB a menos que intente utilizar dispositivos USB.

Actualización de drivers en Windows XP y Windows 2000

Para actualizar los drivers en Windows XP y Windows 2000:

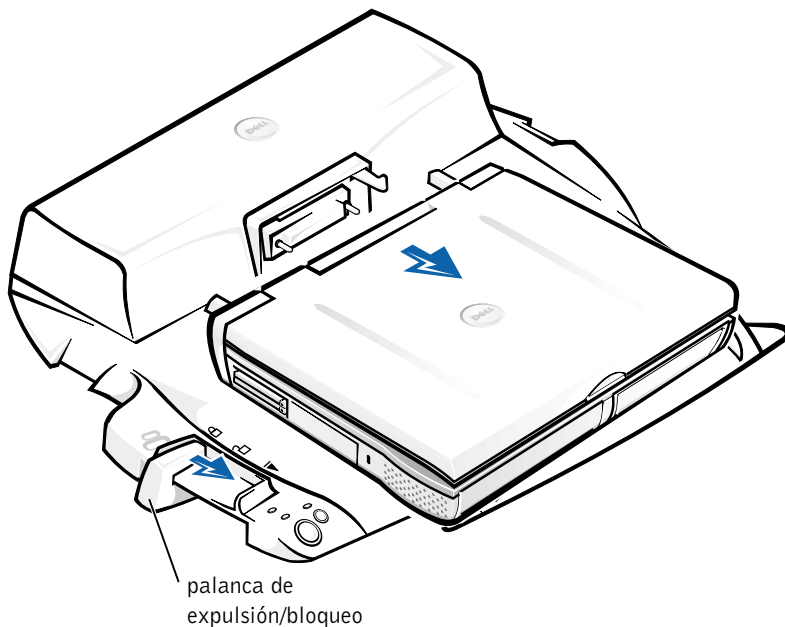
- 1 Pulse con el botón derecho del ratón sobre **Mi PC** y pulse sobre **Manage** (administrar). (*En Windows XP*, haga clic en el botón **Inicio** para acceder a **Mi PC**. *En Windows 2000*, **Mi PC** está en el escritorio de Windows.)
- 2 En la ventana **Computer Management** (Administración de ordenadores), haga clic en **Device Manager** (Administrador de dispositivos) y haga doble clic en **Network adapters** (Adaptadores de red).
- 3 Haga doble clic en **3Com 3C920 Integrated Fast Ethernet Controller** (Controlador 3Com 3C920 Fast Ethernet integrado).
- 4 Haga clic en la ficha **Controlador**.
- 5 Haga clic en **Actualizar controlador...** y siga las indicaciones.

Actualización de drivers en Windows Me

Para actualizar los drivers en Windows Me:

- 1 Pulse con el botón derecho sobre **Mi PC** en el escritorio y sobre **Propiedades**.
- 2 En la ventana **Propiedades del Sistema** elija la ficha **Administrador de dispositivos** y haga doble clic en **Adaptadores de red**.
- 3 Haga doble clic en **3Com 3C920 Integrated Fast Ethernet Controller** (Controlador 3Com 3C920 Fast Ethernet integrado).
- 4 Haga clic en la ficha **Controlador**.
- 5 Haga clic en **Actualizar controlador...** y siga las indicaciones.

Desacoplamiento del ordenador



- AVISO:** Si el ordenador no tiene una batería cargada, se apagará al desacoplarlo y se perderán todos los datos que no haya guardado.

- ➔ **AVISO:** No desacople nunca el ordenador sin prepararlo previamente. Si desacopla el ordenador antes de prepararlo, perderá los datos y el ordenador puede tardar minutos en recuperar el funcionamiento normal, o no recuperarlo.

Para preparar el ordenador para el desacoplamiento, siga uno de estos métodos:

- Pulse <Fn><Esc> en el teclado del ordenador (o pulse <Bloq Despl><Esc> en el teclado externo).
Espere unos segundos a que se apague el indicador de alimentación.
- *En Windows XP*, haga clic en el botón **Inicio** y en **Desacoplar ordenador**.
En Windows 95, Windows 98, Windows Me o Windows 2000, haga clic en el botón **Inicio** y en **Retirar equipo**.
En Windows NT, haga clic en el icono de acoplamiento en la barra de tareas y en **Desacoplar** para poner el ordenador en modo de suspensión.
Espere unos segundos a que se apague el indicador de alimentación del ordenador.
- Pulse el botón de solicitud de desacoplamiento en la base de control de acoplamiento (vea la figura “Controles e indicadores de base de control de acoplamiento”). Espere a que se apague el indicador verde de acoplamiento.

Sujeción del C/Port II APR

Funciones de seguridad

El dispositivo de acoplamiento cuenta con las siguientes funciones de seguridad:

- Una palanca de expulsión/bloqueo que le permite sujetar y extraer su ordenador. La posición hacia atrás sujeta el ordenador al C/Port II APR. La posición intermedia le permite utilizar el dispositivo de acoplamiento sin necesidad de sujetarlo. En la posición hacia adelante se expulsa el ordenador del dispositivo de acoplamiento. Empuje la palanca de expulsión/bloqueo a la posición hacia atrás para utilizar el cerrojo de seguridad por candado y la ranura del cerrojo de seguridad.

- Una palanca activada por un resorte que se encaja en la ranura de seguridad en la parte inferior del ordenador y que se encuentra al frente de la base, sujeta el ordenador a la base de control de acoplamiento. No todos los ordenadores Dell cuentan con la ranura de seguridad.
- Un botón asegurado de expulsión de compartimento para medios que bloquea el desmontaje de dispositivos del compartimento para dispositivos.
- Una palanca inmóvil de captura para impedir el traslado no autorizado del ordenador.

Sujeción del C/Port II APR

Utilice uno de los métodos siguientes para sujetar el dispositivo de acoplamiento:

- Utilice un candado por sí solo o un candado y un cable de seguridad en la ranura para candado (consulte “Controles e indicadores de base de control de acoplamiento”) en el dispositivo de acoplamiento.

Un candado por sí solo bloquea la palanca de expulsión y hace difícil la tarea de desconectar el ordenador del dispositivo de acoplamiento.

Un cable de seguridad que rodea un objeto inmóvil y que se utiliza en conjunto con el candado puede ayudar a prevenir el traslado no autorizado del ordenador y del C/Port II APR.

- Conecte un dispositivo contra robos disponible comercialmente a la ranura de cerrojo de seguridad (consulte la figura “Controles e indicadores de base de control de acoplamiento”) en el dispositivo de acoplamiento.

Los dispositivos antirrobo por lo general incluyen una sección de cable de filamentos metálicos que tiene sujeto un dispositivo de cerrojo que se abre con una llave. Dell le sugiere que utilice un cerrojo de marca Kensington. Para obtener instrucciones sobre la instalación de este tipo de dispositivo antirrobo, consulte la documentación que venía con el dispositivo.

Diagnósticos Dell

Los Diagnósticos Dell que vienen con su ordenador Dell Latitude incluyen pruebas que le ayudan a resolver problemas de los controladores en su dispositivo de acoplamiento.

Las subpruebas del grupo de pruebas **Interfaz de red** de los Diagnósticos Dell verifican el funcionamiento básico del controlador de red en el dispositivo de acoplamiento. Éstas prueban las funciones internas del controlador, que incluyen los accesos de lectura y escritura a sus registros y la capacidad de transmisión y recepción interna (ciclo retroactivo).

Las subpruebas del grupo de pruebas **Puertos serie/infrarrojos** verifican la interfaz del dispositivo de acoplamiento con dispositivos externos (tales como un ratón serie o una impresora). Las subpruebas de este grupo de pruebas no están diseñadas para probar el dispositivo externo.

Las subpruebas del grupo de pruebas **USB** verifican la interfaz del dispositivo de acoplamiento con dispositivos externos (tales como un ratón). Las subpruebas de este grupo de pruebas no están diseñadas para probar el dispositivo externo.

Para obtener instrucciones completas sobre la utilización de los Diagnósticos Dell, consulte la *Guía del usuario* del ordenador.

Especificaciones técnicas

Especificaciones técnicas

Físicas

Altura:

Con el soporte del monitor	10,2 cm (4,0 pulgadas)
Sin accesorios	5,8 cm (2,3 pulgadas)

Profundidad:

Con el soporte del monitor	39,0 cm (15,4 pulgadas)
Sin accesorios	35,8 cm (14,1 pulgadas)

Anchura:

Con el soporte del monitor	40,9 cm (16,1 pulgadas)
Sin accesorios	37,5 cm (14,8 pulgadas)

Peso:

Con el soporte del monitor	3,0 kg (6,5 libras)
Sin accesorios	1,6 kg (3,5 libras)

Alimentación

Adaptador de CA:

Voltaje	100–200VCA, 50–60 Hz
Amperaje	1,5 A

Entrada APRII:

Voltaje	requiere 20 VDC del adaptador de CA
Amperaje	3,5 A

Especificaciones técnicas *(continuación)*

E/S	
Serie (DTE)	un conector compatible con el estándar 16550, con un área de almacenamiento temporal de 16 bytes
Paralelo	un conector unidireccional, bidireccional o ECP
PS/2	dos conectores DIN miniatura
conector	dos conectores compatibles con el estándar USB
Infrarrojos	un sensor de infrarrojos compatible con los estándares IrDA 1,1 (Fast IR [IR rápido]) y 1,0
Línea de salida de audio	enchufe de sonido (para auriculares opcionales)
Vídeo	un conector
Red	un conector RJ45
Acoplamiento (para conectar el ordenador)	un conector
Controlador de red Ethernet	
Conjunto de chips	3Com® 3C920; 10/100 BASE-TX (compatible con-PC99)
Amplitud del bus de datos	interfaz de bus anfitrión PCI de 32 bits
IRQ	IRQ10

Instrucciones de seguridad y EMC: Ordenadores portátiles

La información siguiente define el significado de los símbolos *adicionales* utilizados *únicamente* en las instrucciones de Seguridad y Compatibilidad electromagnética (EMC).



Riesgo de explosión



Aeronave



Riesgo de fuego



La utilización de esta característica podría restringirse en las aeronaves



Riesgo de una
descarga eléctrica



Instrucciones de seguridad

General

- Cuando configure el APR para trabajar, colóquelo en una superficie plana.
- No intente reparar el APR usted mismo a menos que sea una persona del servicio técnico autorizado. Siga siempre las instrucciones de instalación con exactitud.
- Si utiliza un alargador con el adaptador de corriente alterna, asegúrese de que el porcentaje total de amperios de los productos enchufados al alargador no exceden el porcentaje de amperios de éste.
- No inserte ningún objeto en las rejillas o aberturas de ventilación de su ordenador. Si lo hace y hubiera un cortocircuito en los componentes internos, se podría ocasionar un incendio o una descarga eléctrica.





- Cuando utilice el adaptador de CA para suministrar alimentación al ordenador o para cargar la batería, sitúelo en un área ventilada, como podría ser un escritorio o en el suelo. No cubra el adaptador de CA con papeles u otros objetos que reduzcan la refrigeración; tampoco utilice el adaptador de CA dentro de un maletín.



- No utilice el equipo en un entorno húmedo, por ejemplo, cerca de un baño, lavabo, fregadero, piscina o en una superficie mojada.



- Para evitar el peligro potencial de sufrir una descarga eléctrica, no conecte ni desconecte ningún cable ni realice el mantenimiento o la reconfiguración de este producto en el transcurso de una tormenta eléctrica. No utilice el ordenador durante una tormenta eléctrica a menos que todos los cables hayan sido desconectados previamente y el ordenador funcione con la alimentación proporcionada por la batería.
- Utilice sólo el adaptador de CA y las baterías que se han aprobado para su uso con este APR tal como se indica en este documento. La utilización de otro tipo de paquetes de baterías o de adaptadores de CA podría implicar un riesgo de incendio o explosión.
- Antes de limpiar la estación de acoplamiento, apáguela y desconecte el adaptador de CA de la toma de corriente. Limpie la estación de acoplamiento con un paño suave mojado en agua. No utilice ningún líquido limpiador o aerosol que pudiera contener sustancias inflamables.



Alimentación (Instrucciones de seguridad)



- Utilice siempre el adaptador de CA proporcionado por Dell que ha sido aprobado para su uso con este APR. El uso de otro tipo de adaptador de CA podría implicar un riesgo de incendio o explosión.
- Antes de conectar el APR a una toma de corriente, asegúrese de que el tipo de voltaje del adaptador CA y la frecuencia coinciden con los de la fuente de alimentación disponible.
- Para eliminar la alimentación del ordenador, apáguelo y desconecte el adaptador de CA de la toma de corriente.



- Para evitar una descarga eléctrica, enchufe el adaptador de CA y los cables de alimentación de los dispositivos periféricos a fuentes de alimentación con toma de tierra. Estos cables podrían estar equipados con enchufes de tres clavijas para garantizar la toma de tierra. No utilice adaptadores ni retire la clavija de toma de tierra del enchufe de la toma de alimentación. Si utiliza un alargador para realizar la conexión, utilice el tipo apropiado, de dos o tres clavijas, para conectar el cable de alimentación de CA del adaptador.
- Asegúrese de que no haya nada sobre el cable de alimentación del adaptador de CA y de que éste no esté en un sitio donde se pueda pisar o sea fácil tropezar con él.



- Si utiliza una regleta de enchufes, proceda con precaución al conectar el cable de alimentación de CA del adaptador a la regleta. Algunas regletas permiten realizar conexiones erróneas. La conexión incorrecta del enchufe podría provocar daños irreparables en el ordenador, además del riesgo de sufrir una descarga eléctrica o de producir fuego. Asegúrese de que la clavija de toma de tierra del enchufe de alimentación está insertada en la conexión de toma de tierra de la regleta.

Avisos sobre regulación

Una interferencia electromagnética (EMI, Electromagnetic Interference) es cualquier señal o emisión, radiada en el espacio o conducida a través de un cable de alimentación o señal, que pone en peligro el funcionamiento de la navegación por radio u otro servicio de seguridad, o degrada seriamente, obstruye o interrumpe de forma repetida un servicio de comunicaciones por radio autorizado. Los servicios de radiocomunicaciones incluyen, entre otros, emisoras comerciales de AM/FM, televisión, servicios de telefonía móvil, radar, control de tráfico aéreo, buscapersonas y servicios de comunicación personal (PCS, Personal Communication Services). Estos servicios autorizados, junto con emisores no intencionados como dispositivos digitales, incluidos los ordenadores, contribuyen al entorno electromagnético.

La compatibilidad electromagnética (EMC, Electromagnetic Compatibility) es la capacidad de los componentes del equipo electrónico de funcionar correctamente juntos en el entorno electrónico. Aunque este ordenador se ha diseñado y ajustado para cumplir con los límites de emisión electromagnética establecidos por la agencia reguladora, no hay ninguna garantía de que no ocurran interferencias en una instalación en particular. Si este equipo provoca interferencias con servicios de comunicaciones por radio, lo que se puede determinar apagando y encendiendo el equipo, intente corregir dichas interferencias adoptando una o varias de las siguientes medidas:

- Reoriente la antena de recepción.
- Reubique el equipo con respecto al receptor.
- Aparte el ordenador del receptor.
- Conecte el equipo a una toma diferente de forma que el equipo y el receptor se encuentren en ramas diferentes del circuito.

Si es necesario, consulte a un representante de la Asistencia técnica de Dell o a un técnico experimentado de radio o televisión para obtener consejos adicionales.

Los ordenadores Dell se diseñan, prueban y clasifican en función del entorno electromagnético en el que se van a utilizar. Estas clasificaciones de entornos electromagnéticos se refieren generalmente a las siguientes definiciones armonizadas:

- Clase A: normalmente para entornos empresariales o industriales.
- Clase B: normalmente para entornos residenciales.

El equipo de tecnología de información (ITE, Information Technology Equipment), incluidos los dispositivos, tarjetas de expansión, impresoras, dispositivos de entrada/salida (E/S), monitores, etc., integrados en el ordenador o conectados a él, debe ajustarse a la clasificación del entorno electromagnético del ordenador.

Aviso acerca de los cables de señal blindados: Utilice únicamente cables blindados para conectar dispositivos a cualquier dispositivo Dell con el fin de reducir las posibilidades de interferencias con los servicios de comunicaciones de radio. La utilización de cables blindados garantiza que se mantiene la apropiada clasificación EMC para el entorno diseñado. Para impresoras en paralelo, existen cables de Dell. Si lo prefiere, puede solicitar un cable de Dell en el sitio <http://accessories.us.dell.com/> de la World Wide Web.

La mayoría de los ordenadores Dell están clasificados para entornos de Clase B. Sin embargo, la inclusión de determinadas opciones puede cambiar la clasificación de algunas configuraciones a Clase A. Para determinar la clasificación electromagnética para el ordenador o el dispositivo, consulte las siguientes secciones específicas para cada agencia reguladora. Cada sección proporciona el EMI/EMC específico de cada país o información de seguridad del producto.

Aviso CE (Unión Europea)

El símbolo **CE** indica que este ordenador Dell se ajusta a la directiva EMC y a la directiva de bajo voltaje de la Unión Europea. Dicho símbolo indica que este sistema Dell cumple los siguientes estándares técnicos:

- EN 55022: “Límites y métodos de medición de interferencias de radio características de equipos de tecnología de información”.
- EN 55024: “Equipos de tecnología de información - Características de inmunidad - Límites y métodos de medición”.
- EN 61000-2-3: “Compatibilidad electromagnética (EMC) - parte 3: Límites: sección 2: Límites de las emisiones de corriente armónica (Corriente de entrada al equipo hasta 16 A, inclusive, por fase)”.

- EN 61000-3-3: “Compatibilidad electromagnética (EMC) - parte 3: Límites: sección 3: Limitación de las fluctuaciones y oscilaciones de voltaje en sistemas de alimentación a bajo voltaje para equipos con corriente declarada hasta 16 A, inclusive”.
- EN 60950: “Seguridad de los equipos de tecnología de información”.



NOTA: Los requisitos de emisiones EN 55022 proporcionan dos clasificaciones:

- La clase A es para áreas comerciales convencionales.
- La clase B es para áreas domésticas convencionales.

Este dispositivo Dell está clasificado para su uso en un entorno doméstico convencional de Clase B.

Se ha realizado una “Declaración de conformidad” de acuerdo con las directivas y estándares anteriores y está archivada en Dell Computer Corporation Products Europe BV, Limerick, Irlanda.

Conformidad EN 55022 (sólo para la República Checa)

Este dispositivo pertenece a los dispositivos de Clase B como se describe en EN 55022, a no ser que aparezca específicamente marcado en la tarjeta de especificación que se trata de un dispositivo de Clase A. Lo siguiente se aplica a dispositivos de Clase A de EN 55022 (con un radio de protección de hasta 30 metros). El usuario del dispositivo está obligado a tomar las medidas necesarias para eliminar todas las fuentes de interferencia a telecomunicaciones u otros dispositivos.

Pokud není na typovém štítku počítače uvedeno, že spadá do třídy A podle EN 55022, spadá automaticky do třídy B podle EN 55022. Pro zařízení zařazená do třídy A (ochranné pásmo 30m) podle EN 55022 platí následující. Dojde-li k rušení telekomunikačních nebo jiných zařízení, je uživatel povinen provést taková opatření, aby rušení odstranil.

Aviso del centro polaco de pruebas y certificación

El equipo debe conectarse a un enchufe con circuito de protección (un enchufe de tres bornes). Todos los elementos que funcionan en conjunto (ordenador, monitor, impresora, etcétera) deben tener la misma fuente de alimentación.

El conductor de fase de la instalación eléctrica de la sala debe tener un dispositivo de reserva de protección contra cortocircuitos en forma de fusible con un valor nominal no superior a 16 amperios (A).

Para desconectar totalmente el equipo, es preciso desconectar el cable de la fuente de alimentación del enchufe, que debe estar situado cerca del equipo y ser fácilmente accesible.

La marca de protección "B" confirma que el equipo cumple los requisitos de uso de protección de los estándares PN-93/T-42107 y PN-EN 55022: 1996.

Wymagania Polskiego Centrum Badań i Certyfikacji

Urządzenie powinno być zasilane z gniazda z przyłączonym obwodem ochronnym (gniazdo z kołkiem). Współpracujące ze sobą urządzenia (komputer, monitor, drukarka) powinny być zasilane z tego samego źródła.

Instalacja elektryczna pomieszczenia powinna zawierać w przewodzie fazowym rezerwową ochronę przed zwarciami, w postaci bezpiecznika o wartości znamionowej nie większej niż 16A (amperów).

W celu całkowitego wyłączenia urządzenia z sieci zasilania, należy wyjąć wtyczkę kabla zasilającego z gniazdka, które powinno znajdować się w pobliżu urządzenia i być łatwo dostępne.

Znak bezpieczeństwa "B" potwierdza zgodność urządzenia z wymaganiami bezpieczeństwa użytkownika zawartymi w PN-93/T-42107 i PN-EN 55022:1996.

Jeżeli na tabliczce znamionowej umieszczono informację, że urządzenie jest klasy A, to oznacza to, że urządzenie w środowisku mieszkalnym może powodować zakłócenia radioelektryczne. W takich przypadkach można żądać od jego użytkownika zastosowania odpowiednich środków zaradczych.

Pozostałe instrukcje bezpieczeństwa

- Nie należy używać wtyczek adapterowych lub usuwać kołka obwodu ochronnego z wtyczki. Jeżeli konieczne jest użycie przedłużacza to należy użyć przedłużacza 3-żyłowego z prawidłowo połączonym przewodem ochronnym.
- System komputerowy należy zabezpieczyć przed nagłymi, chwilowymi wzrostami lub spadkami napięcia, używając eliminatora przepięć, urządzenia dopasowującego lub bezzakłócenowego źródła zasilania.
- Należy upewnić się, aby nic nie leżało na kablach systemu komputerowego, oraz aby kable nie były umieszczone w miejscu, gdzie można byłoby na nie nadeptywać lub potykać się o nie.
- Nie należy rozlewać napojów ani innych płynów na system komputerowy.
- Nie należy wpychać żadnych przedmiotów do otworów systemu komputerowego, gdyż może to spowodować pożar lub porażenie prądem, poprzez zwarcie elementów wewnętrznych.
- System komputerowy powinien znajdować się z dala od grzejników i źródeł ciepła. Ponadto, nie należy blokować otworów wentylacyjnych. Należy unikać kładzenia luźnych papierów pod komputer oraz umieszczania komputera w ciasnym miejscu bez możliwości cyrkulacji powietrza wokół niego.

Aviso de marca CE

Este dispositivo cumple los requisitos de la Directiva europea 1999/5/EC.

Dell™ Latitude™ C/Port II APR

Systeminformationsguide

Kommentarer av typen **Obs!**, **Viktigt!** och **Varning!**



Obs! En kommentar av typen Obs! anger viktig information som hjälper dig att använda datorn bättre.



Viktigt! En kommentar av typen Viktigt! innehåller information om sådant som kan orsaka dataförlust eller skador på maskinvaran, och hur du kan undvika problemet.



Varning! VARNINGAR indikerar risk för skada på egendom, risk för personskada eller livsfara.

Informationen i detta dokument kan förändras utan föregående meddelande.

© 2001 Dell Computer Corporation. Med ensamrätt.

Återgivning i någon form utan skriftligt tillstånd från Dell Computer Corporation är strängt förbjuden.

Varumärken som förekommer i texten: *Dell*, *DELL*-logotypen, *Latitude* och *DellWare* är varumärken som tillhör Dell Computer Corporation; *3Com* är ett varumärke som tillhör 3Com Corporation; *Microsoft*, *Windows* och *Windows NT* är registrerade varumärken som tillhör Microsoft Corporation.

Övriga varumärken och produktnamn kan förekomma i dokumentet och avse de företag som äger rättigheterna eller deras produkter. Dell Computer friskriver sig från allt ägarintresse av andra än företagets egna varumärken och märkesnamn.

Denna produkt inkluderar upphovsrättsligt skyddad teknik som skyddas av metodanspråk på vissa patent i USA och andra rättigheter som ägs av Macrovision Corporation och andra upphovsrättsinnehavare. Användning av den upphovsrättsligt skyddade tekniken måste godkännas av Macrovision Corporation och endast vara för hemmabruk och annan begränsad användning, såvida inte Macrovision Corporation uttryckligen ger sitt medgivande till annan användning. Reverse engineering eller nedmontering är förbjuden.

Systeminformationsguide

Detta dokument innehåller säkerhetsinstruktioner och säkerhetsföreskrifter samt information om garantier och hur du kommer igång med Dell Latitude C/Port II Avancerad portreplikator (APR). Dessutom finns det hänvisningar till andra tillgängliga Dell-dokument.

Annat tillgänglig dokumentation

- Dokumentationsuppdateringar som ibland levereras med dockningsenheten och som innehåller ändringar i dockningsenheten eller i tillhörande programvara. Läs alltid dessa uppdateringar *innan* du läser någon annan dokumentation eftersom uppdateringarna ofta innehåller den senaste informationen.
- Dokumentation som medföljer tillbehör som inköpts separat. Dokumentationen innehåller information som du behöver när du ska konfigurera och installera tillbehören i dockningsenheten.

Få hjälp

Dell har flera verktyg som du kan använda för att få hjälp med dockningsenheten. Mer information om dessa hjälpverktyg finns i avsnittet Hjälp i *Systemanvändarhandboken* i datorn.

Översikt över dockningsenheten

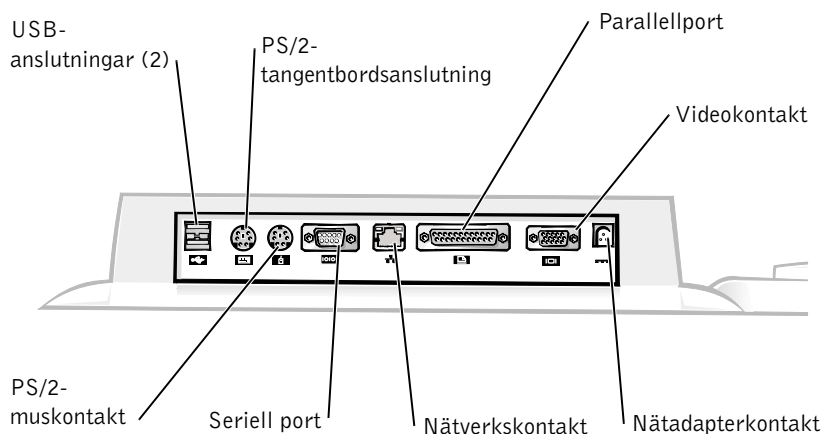


Obs! Kontakta nätverksadministratören innan du ansluter dockningsenheten till ett nätverk.

Du måste ansluta en nätadapter till dockningsenheten innan du dockar datorn med dockningsenheten och startar datorn. Nätadaptern förser både dockningsenheten och datorn med ström. Om du har batterier i datorn laddas de medan du använder dockningsenheten.

- ➔ **Viktigt!** Använd alltid nätadaptern Dell PA-6 som levererades med dockningsenheten. Om du använder någon annan nätadapter eller en nätadapter från en äldre Dell-datormodell kan dockningsenheten och datorn skadas.

I/O-panel på dockningsenheten




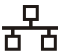



I tabellen Externa I/O-kontakter visas ikonerna för de olika kontakterna på portreplikatorns baksida och de typer av externa enheter som du kan ansluta till varje kontakt.

Externa I/O-kontakter

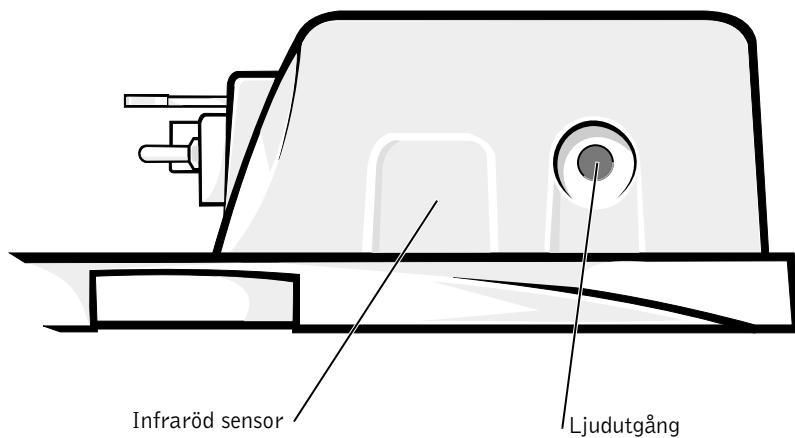
Kontaktikon	Beskrivning av kontakten
	En eller två USB-enheter, t ex en USB-mus, kan anslutas.
	Ett externt PS/2-tangentbord eller en extern numerisk knappsats kopplas till PS/2-tangentbordsanslutningen.
	En extern PS/2-kompatibel mus kopplas till PS/2-musanslutningen.



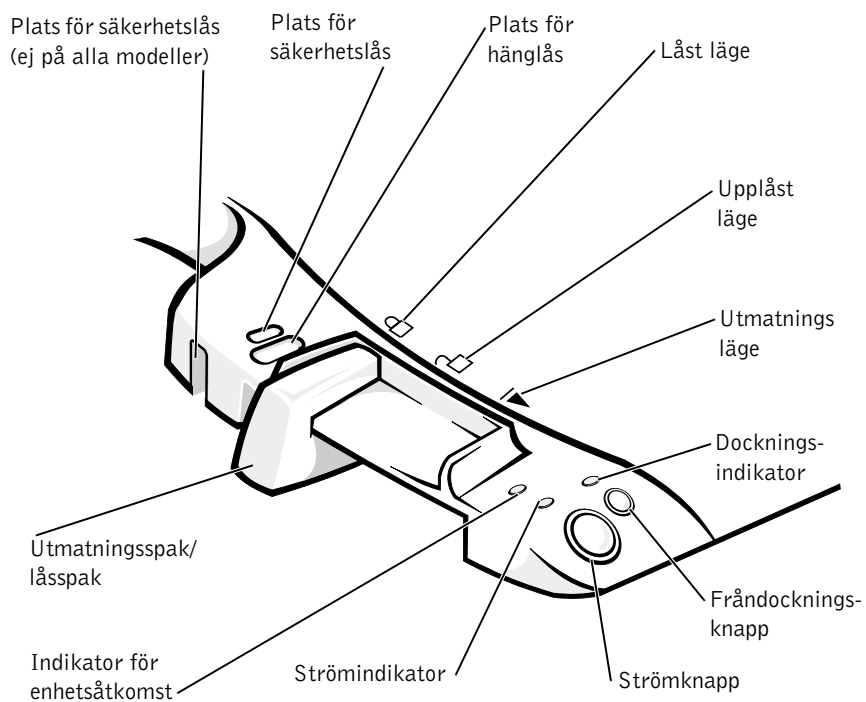
Externa I/O-kontakter

	En seriell enhet, t ex en seriell mus eller ett externt modem, kopplas till den seriella porten.
	En nätverkskabel ansluts till nätverksporten.
	En parallell enhet, t ex en skrivare, ansluts till parallellporten.
	En extern bildskärm ansluts till bildskärmsanslutningen.
	Nätadaptern som levererades med portreplikatorn ansluts till nätadapteranslutningen.

Ljudanslutningar och infraröd sensor



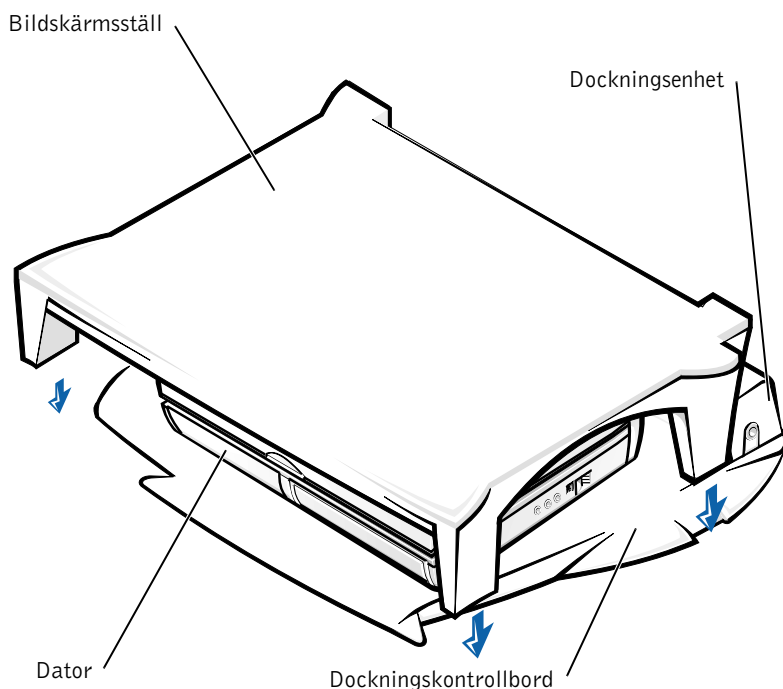
Dockningskontroller och -indikatorer



Bildskärmsställ

- ➔ **Viktigt!** Stället är gjort för bildskärmar som väger högst 45 kg. Tyngre skärmar kan skada stället, datorn och dockningsenheten.

Dockningsenhet med bildskärmsställ



Obs! Kontrollera att de bakre benen på bildskärmsstället står i spåren på dockningskontrollbordets båda sidor.

Innan du dockar datorn

Om datorn körs med operativsystemet Microsoft® Windows® 9x, Windows NT® eller Windows Millennium (Me) måste du först kontrollera om det finns dockningsdrivrutiner på datorn. Om det inte finns några dockningsdrivrutiner på datorn installerar du dem innan du dockar datorn första gången. Du installerar dockningsdrivrutinerna genom att följa stegen i avsnittet Installera dockningsdrivrutiner.

Obs! Om du använder operativsystemet Windows 2000 installeras drivrutinerna automatiskt och du behöver inte utföra stegen i avsnittet Installera dockningsdrivrutiner. Gå till avsnittet Docka datorn.

Kontrollera vilka dockningsdrivrutiner som finns på datorn

- 1 Dubbelklicka på **Den här datorn**.
- 2 Dubbelklicka på **Kontrollpanelen**.
- 3 Dubbelklicka på **Lägg till/ta bort program**.
- 4 Leta upp rätt dockningsdrivrutiner i programlistan.

För *Windows 9x* och *Windows Me* letar du efter drivrutiner vars namn innehåller **Quick Install**. Till exempel: Dell Dock Quick Install for Windows.

För *Windows NT* letar du efter **NT Softex Docking Services**.

Om det inte finns några dockningsdrivrutiner på datorn går du vidare till avsnittet **Installera dockningsdrivrutiner**. Om dockningsdrivrutinerna finns på datorn går du till avsnittet **Docka datorn**.

Installera dockningsdrivrutiner

Du kan installera dockningsdrivrutinerna på något av följande sätt:

- Installera drivrutinerna från någon av cd-skivorna *ResourceCD* eller *Drivers and Utilities* som medföljde datorn.
- Hämta drivrutinerna från Dells supportwebbplats.

Installera dockningsdrivrutinerna från någon av cd-skivorna *ResourceCD* eller *Drivers and Utilities*

- 1 Sätt in cd-skivan *ResourceCD* eller *Drivers and Utilities* i cd-enheten.

För det mesta startar cd:n automatiskt när du gör detta. Om den inte gör det, kan du starta Utforskaren, klicka på cd-romenheten så att innehållet på cd:n visas och dubbelklicka på programfilen **autorcd**. Klicka på **Nästa** om välkomstskärmen visas. När du kör cd-skivan för första gången kan du bli uppmanad att installera vissa filer. Klicka på **OK** och följ instruktionerna på skärmen.

- 2 På menyn **Language** i verktygsfältet väljer du det språk du vill ha för drivrutinen eller verktyget (om det är möjligt).

En välkomstskärm visas.

- 3 Klicka på **Nästa**.

- 4 Under **Search Criteria** (Sökvillkor) väljer du lämpliga kategorier från menyerna **System Model** (Datormodell) och **Operating System** (Operativsystem).

Om du kör *Windows 9x* eller *Windows Me* på datorn väljer du **System Utilities** (Systemverktyg) från menyn **Device Type** (Enhetstyp) och därefter väljer du **Drivers** (Drivrutiner) från menyn **Topic** (Ämne).

Om du kör *Windows NT* på datorn väljer du **System Utilities** (Systemverktyg) från menyn **Device Type** (Enhetstyp) och därefter väljer du **Utilities** (Verktyg) från menyn **Topic** (Ämne).

En eller flera länkar visas för de drivrutiner och verktyg som används för datorn.

- 5 Om du kör *Windows 9x* eller *Windows Me* på datorn letar du upp och klickar på länken för programmet **Dock Quick Install**.

Filen **Dell Dock Quick Install** är ett program som installerar nödvändiga dockningsdrivrutiner på din dator.

Om du använder *Windows NT* klickar du på länken för **Softex Docking Services**.

- 6 Klicka på knappen **Install** (Installera) för att starta den automatiska installationen. Följ instruktionerna på välkomstkärmen för att slutföra installationen.



Obs! I vissa fall kan du behöva bläddra fram rätt mapp på din ResourceCD för att kunna hitta rätt drivrutin. Fullständiga anvisningar för hur du installerar om drivrutiner finns i *Systemanvändarhandboken*.

Installera dockningsdrivrutiner från Dells supportwebbplats

- 1 Gå till Dells supportwebbplats på <http://support.dell.com>. Om det är första gången du besöker webbplatsen anger du vilket land du befinner dig i genom att klicka på kartan som visas.

Sidan **Welcome to support.dell.com** öppnas.

- 2 Skriv in information om dockningsenheten och klicka sedan på **Go!**

Klicka på **Downloads For Your Dell**.


Fönstret **Downloads For Your Dell** visas med ett formulär som du ska fylla i.

- 3 Ange det nummer som finns tryckt på serviceetiketten eller välj det Dell-system du använder.
- 4 Välj operativsystem och språk.
- 5 Välj hämtningskategorin **System and Configuration Utilities**.
- 6 Klicka på **Go!**.
- 7 *Om du kör Windows 9x eller Windows Me* på datorn letar du upp och klickar på länken för programmet **Dell Dock Quick Install**.
Om du använder Windows NT letar du upp och klickar på länken för **Softex Docking Services**.
- 8 Följ instruktionerna på skärmen om du vill hämta och installera nödvändiga drivrutiner.
- 9 Efter att ha hämtat filerna, men innan du installerar drivrutinerna, ska du läsa igenom filen **readme.txt** som finns med bland de hämtade filerna. Där finns viktig information om installationen.


Docka datorn

Om du ansluter en bildskärm till dockningsenheten och slår på bildskärmen visas skärmbilden på bildskärmen. Om du vill växla till datorskärmen eller till visning av både bildskärmen och datorskärmen trycker du på <Fn><F8>.

När du dockar datorn till dockningsenheten och slår på strömmen till datorn tänds den gröna strömindikatorn på dockningskontrollbordet (se Dockningskontroller och -indikatorer).

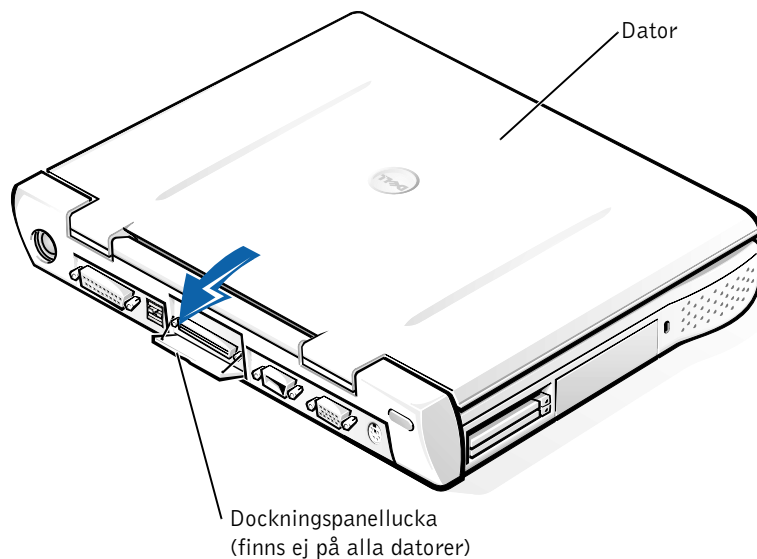
 **Viktigt!** För att inte förlora data ska du spara alla öppna filer innan du dockar datorn.

- 1 Spara alla filer, stäng och avsluta alla program, avsluta operativsystemet och stäng av datorn.

 **Viktigt!** Öppna dockningspanelluckan innan du försöker docka datorn till dockningsenheten för att inte skada dockningskontakten.

- 2 Om datorn har en dockningspanellucka öppnar du denna på datorns baksida.

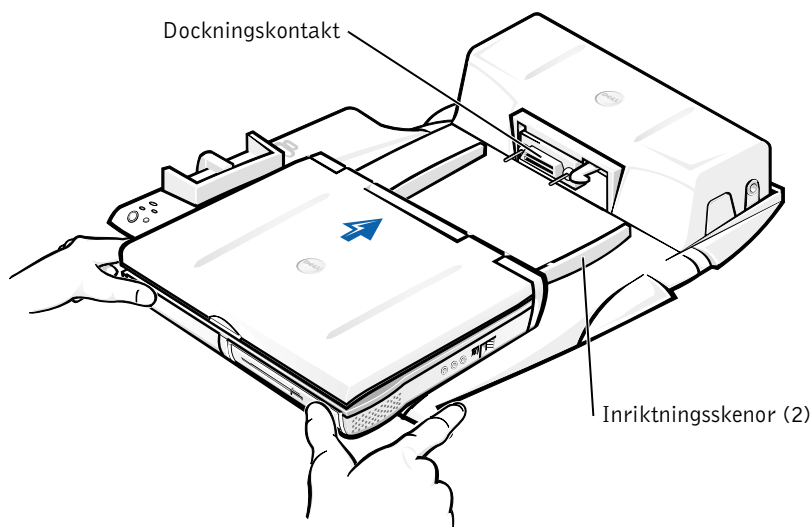
Datorns dockningspanellucka



- 3 Om du använder dockningsenheten tillsammans med ett bildskärmsställ, stänger du datorskärmen.
- 4 Försäkra dig om att utmatnings-/låsspaken är i upplåst läge.

5 Docka datorn till dockningsenheten på följande sätt:

Docka datorn



- a Centrera datorn på portreplikatorns plattform med datorns baksida riktad mot dockningsenhetens kontakt (se Docka datorn).
 - b Skjut datorn mot kontakten tills du känner att spåren på datorns undersida möter inriktningsskenorna.
- ➔ **Viktigt!** Om du försöker trycka in datorn i portreplikatorn utan att datorn är rätt placerad mot inriktningsskenorna kan du förstöra datorns dockningskontakt.
- ➔ **Viktigt!** Lyft inte enbart i datorn eller dockningsenheten när de är anslutna till varandra eftersom detta kan skada kontaktarna på datorn och dockningsenheten.
- ➔ **Viktigt!** Om du använder en skärm med bildskärmsstället tar du först bort bildskärmen från stället innan du sätter dockningskontrollbordet på plats.
- c Tryck försiktigt datorn framåt tills dockningskontakten är helt ansluten.

Docka första gången med Windows XP och Windows 2000

- 1 Docka och slå på datorn.
- 2 Tryck på <F2> när datorn startas om du vill visa systeminställningsprogrammet.
- 3 Ställ in **Docka IRQ** på **Optimerad**.
- 4 Ställ in **Universal Connect** på **Aktiverad**.
- 5 Avsluta systeminställningsprogrammet.

Startproceduren fortsätter.

I Windows 2000 visas guiden **Lägg till ny maskinvara**.



Obs! Om du använder *Windows XP* installeras drivrutinerna automatiskt.
Om du använder *Windows 2000* installeras drivrutinerna automatiskt med hjälp av guiden **Lägg till ny maskinvara**.

Docka första gången med Windows Me

- 1 Docka och slå på datorn.
- 2 Tryck på <F2> när datorn startas om du vill visa systeminställningsprogrammet.
- 3 Ställ in **Docka IRQ** på **Optimerad**.
- 4 Ställ in **Universal Connect** på **Aktiverad**.
- 5 Avsluta systeminställningsprogrammet.
Startproceduren fortsätter.
Guiden **Lägg till ny maskinvara** visas.
- 6 Välj **Sök efter den bästa drivrutinen för enheten (rekommenderas)** och klicka på **Nästa**.
- 7 Klicka på **Nästa**.
- 8 Följ instruktionerna i guiden **Lägg till ny maskinvara**.
- 9 Vid uppmaning väljer du **Sök efter den bästa drivrutinen för enheten (rekommenderas)** och klickar sedan på **Nästa**.

- 10 Slutför installationen genom att fortsätta följa instruktionerna.

Windows-skrivbordet visas och installationen är klar.

Docka första gången med Windows NT 4.0

- 1 Docka och slå på datorn.
- 2 Tryck antingen på <F2> när systemet startar eller tryck på <Fn><F1> efter att datorn startat för att visa installationsprogrammet för systemet.
- 3 Ställ in **Docka IRQ** på **Optimerad**.
- 4 Ställ in **Universal Connect** på **Aktiverad**.
- 5 Avsluta systeminställningsprogrammet.
- 6 Logga in genom att trycka på <Ctrl><Alt>. Fönstret **Docking Station Setup [Installation av dockningsstation]** visas och anger att datorn måste dockas från för att du ska kunna fortsätta.
- 7 Klicka på **OK** och vänta på att datorn stängs av.
- 8 Docka från datorn (se "Docka från datorn"). Datorn startas om automatiskt. Om datorn inte startar gör du det manuellt.
- 9 Klicka på **Start** och välj **Avsluta**.
- 10 Vänta tills datorn är avstängd och docka därefter datorn till dockningsenheten. Datorn startar om automatiskt. Om datorn inte startar gör du det manuellt.
- 11 Logga in genom att trycka på <Ctrl><Alt>. Datorn hittar automatiskt nya enheter.
- 12 Vid uppmaning väljer du **Install System Provided Driver for the Selected Device (Recommended) [Installera systemets drivrutin för den valda enheten]** och klickar sedan på **OK**.
- 13 Klicka på **Continue [Fortsätt]** i fönstret **Windows NT Setup [Windows NT Installation]**.
- 14 Välj **Install System Provided Driver for the Selected Device (Recommended) [Installera systemets drivrutin för den valda enheten]** och klicka sedan på **OK**.

- 15 Välj namn på nätverkskortet (NIC) på menyn.
- 16 Välj om nätverksadaptern ska erhålla en IP-adress från en server eller om en IP-adress är angiven.
Om du inte vet vad du ska välja, fråga systemadministratören.
- 17 Slutför installationen genom att följa instruktionerna.

Windows-skrivbordet visas och installationen är klar.

Datorn kan inte ställas i pausläge under tiden den är dockad.

Docka första gången med Windows 98

- 1 Docka och slå på datorn.
- 2 Tryck antingen på <F2> när systemet startar eller tryck på <Fn><F1> efter att datorn startat för att visa installationsprogrammet för systemet.
- 3 Ställ in **Docka IRQ** på **Optimerad**.
- 4 Ställ in **Universal Connect** på **Aktiverad**.
- 5 Avsluta systeminställningsprogrammet.
Datorn hittar ny maskinvara.
- 6 Klicka på **OK** i fönstret **Konfigurationsinställningar**.
Guiden **Lägg till ny maskinvara** visas.
- 7 Klicka på **Nästa**.
- 8 Välj **Sök efter den bästa drivrutinen för enheten (rekommenderas)** och klicka på **Nästa**.
- 9 Ta bort markeringen intill varje alternativ och klicka på **Nästa**.
Ett fönster visas som talar om att Windows är redo att installera den bästa drivrutinen för din enhet.
- 10 Följ instruktionerna i guiden **Lägg till ny maskinvara**.
- 11 Vid uppmaning väljer du **Sök efter den bästa drivrutinen för enheten (rekommenderas)** och klickar sedan på **Nästa**.
- 12 Slutför installationen genom att fortsätta följa instruktionerna.

Windows-skrivbordet visas och installationen är klar.

Docka första gången med Windows 95

- 1 Docka och slå på datorn.
- 2 Tryck antingen på <F2> när systemet startar eller tryck på <Fn><F1> efter att datorn startat för att visa installationsprogrammet för systemet.
- 3 Ställ in **Docka IRQ** på **Optimerad**.
- 4 Ställ in **Universal Connect** på **Aktiverad**.
- 5 Avsluta systeminställningsprogrammet.
Datorn hittar automatiskt ny maskinvara.
- 6 Klicka på **Ja** i fönstret **Ändringar av systeminställningar**.
Datorn startas om och hittar automatiskt ny maskinvara.
- 7 Klicka på **OK** i fönstret **Nätverk**.
- 8 Välj fliken **Identifiering** i nästa fönster i sektionen **Nätverk**.
- 9 Ange **Computer Name [Datornamn]** och **Workgroup [Arbetsgrupp]** för att identifiera din dator på nätverket och klicka sedan på **Close [Stäng]**.

Om du är osäker på vad du ska ange under **Datornamn** och **Arbetsgrupp** frågar du systemadministratören.



Obs! Du måste ange **Computer Name [Datornamn]** och **Workgroup [Arbetsgrupp]** för att kunna fortsätta med drivrutinininstallationen.

Datorn kopierar automatiskt filer och bygger en informationsdatabas med drivrutiner.

- 10 Klicka på **OK** i fönstret **Konfigurationsinställningar**.
- 11 Slutför installationen genom att följa instruktionerna.
Windows-skrivbordet visas och installationen är klar.



Obs! Om du vill använda USB-anslutningar måste du installera USB-tillägget från cd-skivan **ResourceCD** till katalogen Win95\OSUpdate. Om du installerar USB-tillägget kan datorn inte försättas i viloläge. Dell rekommenderar att du inte installerar USB-tillägget såvida du inte tänker använda USB-enheter.

Uppdatera drivrutiner i Microsoft Windows XP och Windows 2000

Så här uppdaterar du drivrutiner i Microsoft Windows XP och Windows 2000:

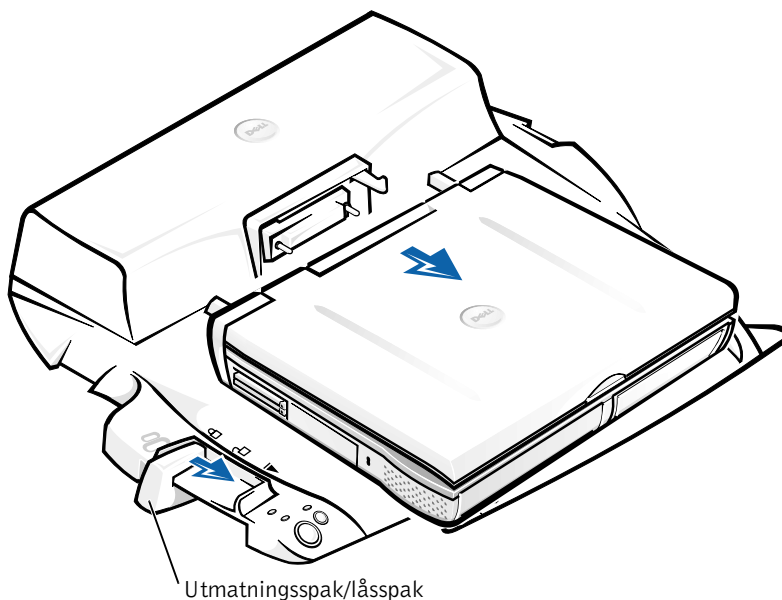
- 1 Högerklicka på **Den här datorn** och klicka på **Hantera**. *(I Windows XP klickar du på **Start** och sedan på **Den här datorn**. I Windows 2000 finns **Den här datorn** på skrivbordet.*
- 2 Klicka på **Enhetshanteraren** i fönstret **Datorhantering** och dubbelklicka sedan på **Nätverkskort**.
- 3 Dubbelklicka på **3Com 3C920 Integrated Fast Ethernet Controller**.
- 4 Klicka på fliken **Drivrutin**.
- 5 Klicka på **Uppdatera drivrutin** och följ sedan instruktionerna.

Uppdatera drivrutiner i Windows Me

Så här uppdaterar du drivrutiner i Windows Me

- 1 Högerklicka på **Den här datorn** på skrivbordet och klicka sedan på **Egenskaper**.
- 2 Klicka på fliken **Enhetshanteraren** i fönstret **Systemegenskaper** och dubbelklicka sedan på **Nätverkskort**.
- 3 Dubbelklicka på **3Com 3C920 Integrated Fast Ethernet Controller**.
- 4 Klicka på fliken **Drivrutin**.
- 5 Klicka på **Uppdatera drivrutin** och följ sedan instruktionerna.

Docka från datorn



- ➔ **Viktigt!** Om datorn inte är batteridrivna stängs datorn av när du dockar från den och du förlorar data som inte har sparats.
- ➔ **Viktigt!** Docka aldrig från datorn utan att först förbereda den. Om du dockar från datorn innan den har förberetts förlorar du data och du kanske inte kan använda datorn på flera minuter, om överhuvudtaget.

Använd någon av följande metoder för att förbereda datorn för frändockning:

- Tryck på <Fn><Esc> på datorns tangentbord (eller <Scroll Lock><Esc> på ett externt tangentbord).
Vänta ett par sekunder tills strömindikatorn på datorn stängs av.
- I *Windows XP* klickar du på **Start** och sedan på **Koppla från datorn**.
I *Windows 95*, *Windows 98*, *Windows Me* och *Windows 2000* klickar du på **Start**-knappen och sedan på **Mata ut PC**.

I *Windows NT* klickar du på dockningsikonen på Aktivitetsfältet och därefter på **Docka från** för att ställa datorn i vänteläge.

Vänta ett par sekunder tills strömindikatorn på datorn stängs av.

- Tryck på frändockningsknappen på dockningskontrollbordet (se figuren i avsnittet Dockningskontroller och indikatorer).
Vänta tills den gröna dockningsindikatorn stängs av.

Låsa fast portreplikatorn C/Port II

Säkerhetsfunktioner

Dockningsenheten har följande säkerhetsfunktioner:

- En utmatningsspak/låsspak som du använder när du vill låsa eller mata ut datorn. I det bakersta läget låses datorn fast i portreplikatorn. I mittläget kan du använda dockningsenheten utan att låsa fast datorn i den. I det främre läget matas datorn ut från dockningsenheten. Skjut utmatningsspaken/låsspaken till det bakre läget om du vill använda hänglåset och uttaget för säkerhetslås.
- En fjäderbelastad hake längst fram på dockningsenheten skjuts in i säkerhetsuttaget längst ned på datorn och låser på så sätt fast datorn. Alla Dell-datorer är inte utrustade med detta uttag.
- En låst utmatningsknapp som förhindrar borttagning av mediafacksenheter.
- En fixerad låshake som förhindrar obehörig flytt av datorn.

Låsa fast portreplikatorn C/Port II

Du kan låsa dockningsenheten på något av följande sätt:

- Använd ett hänglås fristående eller tillsammans med en säkeretskabel och hänglåsuttaget (se avsnittet Dockningskontroller och indikatorer) i dockningsenheten.

Om du enbart använder hänglås spärras utmatningsspaken vilket gör det svårt att koppla bort datorn från dockningsenheten.

Om du lägger en säkeretskabel i slinga runt ett fast föremål och sedan låser fast den med hänglåset kan du förhindra att någon obehörig flyttar datorn och portreplikatorn.

- Anslut ett stöldskydd till säkerhetslåsuttaget (se avsnittet Dockningskontroller och indikatorer) i dockningsenheten. (Lämpliga stöldskydd finns i handeln.)

Stöldskyddet består ofta av en metallfiberkabel utrustad med en låsenhet samt en tillhörande nyckel. Dell rekommenderar att du använder ett Kensington-lås. Anvisningar för hur du installerar den här typen av stöldskydd finns i den dokumentation som medföljer enheten.

Dell Diagnostics

De felsökningsverktyg som medföljde datorn innehåller testprogram som hjälper dig felsöka dockningsenhetens styrenheter.

Med hjälp av deltesterna i testgruppen **Network Interface [Nätverksgränssnitt]** i felsökningsverktygen kan du kontrollera att dockningsstationens nätverkskort fungerar. Med testerna kan du kontrollera styrenhetens interna funktioner, inklusive läs- och skrivåtkomst till dess register och interna sändnings- och mottagningsfunktioner (loopback).

Med deltesterna i testgruppen **Serial/Infrared Ports [Seriella portar och IR-portar]** kan du kontrollera dockningsenhetens gränssnitt mot externa enheter (t ex en seriell mus eller en skrivare). Deltesterna i denna testgrupp är inte avsedda att vara ett felsökningstest för den externa enheten i sig.

Med deltesterna i testgruppen **USB** kontrollerar du dockningsenhetens gränssnitt mot externa enheter (t ex en mus). Deltesterna i denna testgrupp är inte avsedda att vara ett felsökningstest för den externa enheten i sig.

Fullständiga anvisningar för hur du använder Dells felsökningsverktyg finns i *Systemanvändarhandboken* i datorn.

Tekniska data

Tekniska data

Fysiskt

Höjd:

Med bildskärmsställ	10,2 cm
Fristående	5,8 cm

Djup:

Med bildskärmsställ	39 cm
Fristående	35,8 cm

Bredd:

Med bildskärmsställ	40,9 cm
Fristående	37,5 cm

Vikt:

Med bildskärmsställ	3 kg
Fristående	1,6 kg

Strömförsörjning

Nätadapter:

Spänning	100-200 VAC, 50-60 Hz
Ström	1,5 A

APR II-ingång:

Spänning	kräver 20 VDC från nätadaptern
Ström	3,5 A

Tekniska data

I/O

Seriell (DTE)	16550-kompatibel, 16-bitars buffertport
Parallell	envägs-, tvåvägs- eller ECP-port
PS/2	två anslutningar av typ mini-DIN
USB	två USB-kompatibla portar
Infraröd	infraröd givare kompatibel med IrDA Standards 1.1 (Fast IR) och 1.0
Ljudutgång	hörlursutgång
Video	en anslutning
Nätverk	en RJ45-anslutning
Dockning (för anslutning till datorn)	en anslutning

Ethernet-nätverkskort

Kretsuppsättning	3Com [®] 3C920; 10/100 BASE-TX (PC99-kompatibel)
Bredd på databuss	32-bitars PCI-värdbussgränssnitt
IRQ	IRQ10

Säkerhetsinstruktioner och EMC-instruktioner: Bärbara datorer

I följande information förklaras innebörden av de *extra* symboler som *enbart* används i EMC-anvisningarna (Safety and Electromagnetic Compatibility).



Risk för explosioner



Flyg



Risk för eldsvåda



Det kan vara förbjudet att använda denna funktion ombord på flygplan



Risk för elektriska stötar



Säkerhetsinstruktioner

Allmänna

- När du installerar portreplikatorn för arbete placerar du den på en plan yta.
- Försök aldrig att reparera portreplikatorn själv om du inte är en auktoriserad servicetekniker. Följ alltid installationsanvisningarna noggrant.
- Om du använder en förlängningskabel med nätadaptern måste du kontrollera att det totala amperevärdet (A) för de produkter som är anslutna till förlängningskabeln inte överstiger förlängningskabelns amperevärde.



- För inte in föremål i luftventilerna eller andra öppningar i datorn. Om du gör det kan datorn börja brinna eller avge en elektrisk stöt orsakad av kortslutning.



- Placera nätadaptern på en ventilerad plats, t ex på ett skrivbord eller på golvet, när du använder den för att starta datorn eller ladda batteriet. Täck inte över nätadaptern med papper eller andra föremål som kan förhindra kylningen. Använd inte nätadaptern inuti en väska.



- Använd inte datorn i våtutrymmen, t ex i närheten av ett badkar, en diskbänk, en simbassäng eller i en fuktig källare.



- Du undviker risken att råka ut för en elektrisk stöt genom att inte ansluta eller koppla bort kablar eller utföra underhåll eller omkonfiguration under åskväder. Använd endast datorn under åskväder om du först har kopplat bort alla kablar och driver den med batteriet.
- Använd endast den nätadapter och de batterier som är godkända att användas med portreplikatorn enligt informationen i det här dokumentet. Om du använder något annat batteripaket eller någon annan nätadapter finns det risk för brand eller explosion.
- Innan du rengör dockningsstationen ska du stänga av den och ta ut nätadaptern från eluttaget. Rengör dockningsstationen med en mjuk trasa fuktad med vatten. Använd inte rengöringsmedel, varken flytande eller spray, eftersom de kan innehålla brandfarliga ämnen.



Elektricitet (Säkerhetsinstruktioner)



- Använd endast den nätadapter från Dell som medföljer portreplikatorn. Om du använder en annan nätadapter kan det finnas risk för brand eller explosion.
- Innan du ansluter portreplikatorn till en strömkälla bör du kontrollera att nätadaptorns voltspänning och frekvens överensstämmer med den aktuella strömkällan.
- Stäng av datorn och koppla ur nätadaptern från strömkällan när strömmen till datorn ska slås av.



- Undvik elektriska stötar genom att ansluta nätadaptern och strömkablar för kringutrustning till korrekt jordade strömkällor. Dessa strömkablar kan vara utrustade med speciella kontakter för jordning. Använd inte adapterkontakter och ta inte bort jordningsstiften från en kontakt. Om du använder en förlängningssladd, använd då samma typ av kontakt som nätadaptern har.
- Se till att det inte ligger föremål på strömkabeln och att kabeln har placerats så att ingen riskerar att snubbla eller kliva på den.



- Om du använder en förgreningsdosa måste du vara försiktig när du ansluter strömkabeln till förgreningsdosan. I vissa förgreningsdosor går det att sätta in kontakten fel. Om du gör det kan datorn skadas oåterkalleligt, och dessutom föreligger risk för elstötar och/eller brand. Kontrollera att kontaktens jordsstift är insatta så att de matchar förgreningsdosans jordkontakter.

Myndighetsinformation

EMI (Electromagnetic Interference) är alla signaler eller all strålning som strålar i fria utrymmen eller som leds längs ström- eller signalledningar och som stör funktionerna hos radionavigering eller andra säkerhetstjänster eller som allvarligt försämrar, förhindrar eller upprepade gånger avbryter en licensierad radiokommunikationstjänst. Radiokommunikationstjänster inkluderar men är inte begränsade till kommersiella AM/FM-utsändningar, tv, mobilradiotjänster, radar, flygtrafikkontroller, personsökare och PCS (Personal Communication Services). Dessa licensierade tjänster, tillsammans med oavsiktliga strålningsenheter, t ex digitala enheter, inklusive datorer, bidrar till den elektromagnetiska miljön.

EMC (Electromagnetic Compatibility) är förmågan hos elektronisk utrustning att fungera korrekt tillsammans i en elektronisk miljö. Även om den här datorn har konstruerats i enlighet med regleringsgränsvärdena för EMI och bedömts efterfölja dessa, lämnas inga garantier för att störningar inte kan uppstå vid en viss installation. Om den här utrustningen skapar störningar hos radiokommunikationstjänster, vilket kan kontrolleras genom att utrustningen slås på och av, rekommenderas du att försöka avhjälpa störningarna genom en eller flera av följande åtgärder:

- Rikta om den mottagande antennen.
- Placera om datorn i förhållande till mottagaren.
- Flytta bort datorn från mottagaren.
- Anslut datorn till ett annat strömuttag så att datorn och mottagaren ligger på olika kretsgrenar.

Om det behövs tar du kontakt med teknisk support hos Dell eller en kunnig radio/tv-tekniker för ytterligare förslag på åtgärder.

Dell-datorer konstrueras, testas och klassificeras för den elektromagnetiska miljö de är avsedda för. Med dessa elektromagnetiska miljöklassificeringar menas vanligen följande definitioner:

- Klass A är typisk kontors- eller industriell miljö.
- Klass B är typiskt bostadsområden.

ITE (Information Technology Equipment) inklusive enheter, tilläggskort, skrivare, in-/utdataenheter (I/O), bildskärmar och så vidare som är integrerade i eller anslutna till datorn, bör matcha datorns elektromagnetiska miljöklassificering.


Viktigt om avskärmade signalkablar: Du kan minska risken för störningar i radiokommunikationen genom att enbart använda skärmad kabel när du ansluter kringutrustning till Dell-enheterna. Genom att använda avskärmade kablar säkerställer du att rätt EMC-klassificering bibehålls för den avsedda miljön. Du kan erhålla en kabel för parallellskrivare från Dell. Om du vill kan du beställa en kabel från Dell på webbplatsen <http://accessories.us.dell.com/>.

De flesta av Dells datorsystem är klassificerade för Klass B-miljöer. Om vissa funktioner finns installerade kan detta dock ändra klassificeringen till Klass A. För att kunna bedöma den elektromagnetiska klassificering som gäller för din dator eller enhet, se följande avsnitt som är specifika för varje myndighet. Varje avsnitt innehåller EMC/EMI-information eller produktsäkerhetsinformation.

CE (Europeiska Unionen)

Märkningen med symbolen **CE** indikerar att den här Dell-datorn överensstämmer med den europeiska unionens EMC-direktiv och direktiv för lågt voltvärde. Denna märkning innebär att det här Dell-systemet motsvarar följande tekniska standarder:

- EN 55022 – "Limits and Methods of Measurement of Radio Interference Characteristics of Information Technology Equipment."
- EN 55024 – "Information technology equipment - Immunity characteristics - Limits and methods of measurement".
- EN 61000-3-2 – "Electromagnetic compatibility (EMC) - Part 3: Limits - Section 2: Limits for harmonic current emissions (Equipment input current up to and including 16 A per phase)".
- EN 61000-3-3 – "Electromagnetic compatibility (EMC) - Part 3: Limits - Section 3: Limitation of voltage fluctuations and flicker in low-voltage supply systems for equipment with rated current up to and including 16 A".
- EN 60950 – "Safety of Information Technology Equipment."

 **Obs!** Strålningskraven i EN 55022 medger två klassificeringar:

- Klass A är typiskt kontors- eller industriell miljö.
- Klass B är typiskt bostadsområden.

Den här Dell-enheten är klassificerad för användning i vanlig Klass B-bostadsmiljö.

En "konformitetsdeklaration" i enlighet med de föregående direktiven och standarderna har gjorts och är arkiverad hos Dell Computer Corporation Products Europe BV, Limerick, Irland.

EN 55022-kompatibilitet (endast Tjeckien)

Denna enhet är en Klass B-enhet, så som beskrivs i EN 55022, om det inte står att det är en enhet Klass A på etiketten där specifikationen anges. Följande information gäller enheter för Klass A EN 55022 (en skyddsradie på upp till 30 meter). Den som använder enheten förbinder sig att vidta alla nödvändiga åtgärder för att flytta utrustning som stör telekommunikation eller andra enheter.

Pokud není na typovém štítku počítače uvedeno, že spadá do třídy A podle EN 55022, spadá automaticky do třídy B podle EN 55022. Pro zařízení zařazená do třídy A (ochranné pásmo 30m) podle EN 55022 platí následující. Dojde-li k rušení telekomunikačních nebo jiných zařízení, je uživatel povinen provést taková opatření, aby rušení odstranil.

Polskt center för testning och certifiering

Utrustningen ska få ström från ett jordat uttag (3-stiftsuttag). All utrustning som fungerar tillsammans ska ha samma strömkälla.

Fasledaren för de elektriska installationerna i rummet bör vara utrustat med ett reservskydd mot kortslutning i form av en säkring med ett nominellt värde som inte är högre än 16 ampere (A).

Om du vill stänga av utrustningen helt och hållet måste du dra ur strömkabeln ur eluttaget, som ska finnas nära utrustningen och vara lätt att komma åt.

Ett skyddsmärke B bekräftar att utrustningen uppfyller de skyddskrav som finns uppställda i standarderna PN-93/T-42107 och PN-EN 55022:1996.

Wymagania Polskiego Centrum Badań i Certyfikacji

Urządzenie powinno być zasilane z gniazda z przyłączonym obwodem ochronnym (gniazdo z kołkiem). Współpracujące ze sobą urządzenia (komputer, monitor, drukarka) powinny być zasilane z tego samego źródła.

Instalacja elektryczna pomieszczenia powinna zawierać w przewodzie fazowym rezerwową ochronę przed zwarciami, w postaci bezpiecznika o wartości znamionowej nie większej niż 16A (amperów).

W celu całkowitego wyłączenia urządzenia z sieci zasilania, należy wyjąć wtyczkę kabla zasilającego z gniazdka, które powinno znajdować się w pobliżu urządzenia i być łatwo dostępne.

Znak bezpieczeństwa "B" potwierdza zgodność urządzenia z wymaganiami bezpieczeństwa użytkownika zawartymi w PN-93/T-42107 i PN-EN 55022:1996.

Jeżeli na tabliczce znamionowej umieszczono informację, że urządzenie jest klasy A, to oznacza to, że urządzenie w środowisku mieszkalnym może powodować zakłócenia radioelektryczne. W takich przypadkach można żądać od jego użytkownika zastosowania odpowiednich środków zaradczych.

Pozostałe instrukcje bezpieczeństwa

- Nie należy używać wtyczek adapterowych lub usuwać kołka obwodu ochronnego z wtyczki. Jeżeli konieczne jest użycie przedłużacza to należy użyć przedłużacza 3-żyłowego z prawidłowo połączonym przewodem ochronnym.
- System komputerowy należy zabezpieczyć przed nagłymi, chwilowymi wzrostami lub spadkami napięcia, używając eliminatora przepięć, urządzenia dopasowującego lub bezzakłócenowego źródła zasilania.
- Należy upewnić się, aby nic nie leżało na kablach systemu komputerowego, oraz aby kable nie były umieszczone w miejscu, gdzie można byłoby na nie nadeptywać lub potykać się o nie.
- Nie należy rozlewać napojów ani innych płynów na system komputerowy.
- Nie należy wpychać żadnych przedmiotów do otworów systemu komputerowego, gdyż może to spowodować pożar lub porażenie prądem, poprzez zwarcie elementów wewnętrznych.
- System komputerowy powinien znajdować się z dala od grzejników i źródeł ciepła. Ponadto, nie należy blokować otworów wentylacyjnych. Należy unikać kładzenia luźnych papierów pod komputer oraz umieszczania komputera w ciasnym miejscu bez możliwości cyrkulacji powietrza wokół niego.

Att observera angående CE-märkning


Den här enheten uppfyller kraven för European Directive 1999/5/EC.


Dell™ Latitude™ C/Port II APR


מדריך מידע למערכת



הערות, התראות ואזהרות

 **הערה:** מציינת מידע חשוב המסייע לך לנצל ביעילות יותר את המחשב שלך.

 **התראה:** מציינת נזק אפשרי לחומרה או איבוד נתונים, ומסבירה כיצד ניתן למנוע את הבעיה.

 **אזהרה:** מציינת אפשרות של נזק לרכוש, פגיעה גופנית או מוות.

המידע במסמך זה עשוי להשתנות ללא התראה.

Dell Computer Corporation © 2001 כל הזכויות שמורות.

חל איסור מוחלט על שעתוק כלשהו, בלי הרשאה בכתב מ-Dell Computer Corporation.

סימנים מסחריים הנמצאים בשימוש בטקסט זה: *DELL*, הלוגו של *DELL*, *Latitude*, *Dellware* ו-*Dellware*, הנם סימנים מסחריים של Dell Computer Corporation; *3Com* הנו סימן רשום של *3Com Corporation*; *Windows*, *Microsoft* ו-*Windows NT* הנם סימנים רשומים של חברת *Microsoft Corporation*.

ייתכן וייעשה שימוש בסימנים מסחריים ושמות מסחריים אחרים במסמך זה, כדי להתייחס לישויות הטוענות לבעלות על הסימנים והשמות, או למוצרים שלהם. חברת המחשבים Dell מוותרת על כל חלק קנייני בסימנים מסחריים ושמות מסחריים, פרט לאלה שבבעלותה.

מוצר זה כולל טכנולוגית הגנה על זכויות יוצרים המוגן על ידי שיטות תביעה של פטנטים אמריקניים מסוימים וזכויות נוספות של קניין רוחני בבעלות חברת *Macrovision* ובעלי זכויות נוספים. השימוש בטכנולוגיה זו להגנת זכויות יוצרים הנו באישור חברת *Macrovision* בלבד, ומיועד לשימוש ביתי ולסוגי שימוש נוספים המוגבלים לצורכי עיון בלבד, אלא אם אושר אחרת על ידי חברת *Macrovision*. חל איסור על ביצוע הנדסה הפוכה או פירוק.

Dell™ Latitude™ C/Port II APR מדריך מידע למערכת

מסמך זה מכיל מידע בנושאי התחלת העבודה, בטיחות, תקנות ואחריות של מחשב ה-Dell Latitude C/Port II Advanced Port Replicator (APR) שלך, ומידע הנוגע למסמכים זמינים נוספים של Dell ודרך השגתם.


מסמכים זמינים נוספים

- עדכוני תיעוד, העשויים להיות מצורפים להתקן העגינה שלך, כדי לתאר שינויים בהתקן העגינה או בתוכנה שלך. עליך לעיין בעדכונים הני"ל לפני עיון בתיעוד נוסף, היות והמידע העדכני ביותר כלול בעדכונים אלו.
- תיעוד מצורף לכל האופציות הנרכשות בנפרד מהתקן העגינה שלך. תיעוד זה כולל את המידע הדרוש להגדרת התצורה ולהתקנת האופציות הני"ל, בהתקן העגינה שלך.

קבלת עזרה

Dell מספקת כלים שונים כדי לסייע לך, אם התקן העגינה אינו מתפקד כנדרש. לקבלת מידע אודות כלי עזרה אלו, ראה פרק "קבלת עזרה" במדריך למשתמש של המחשב.

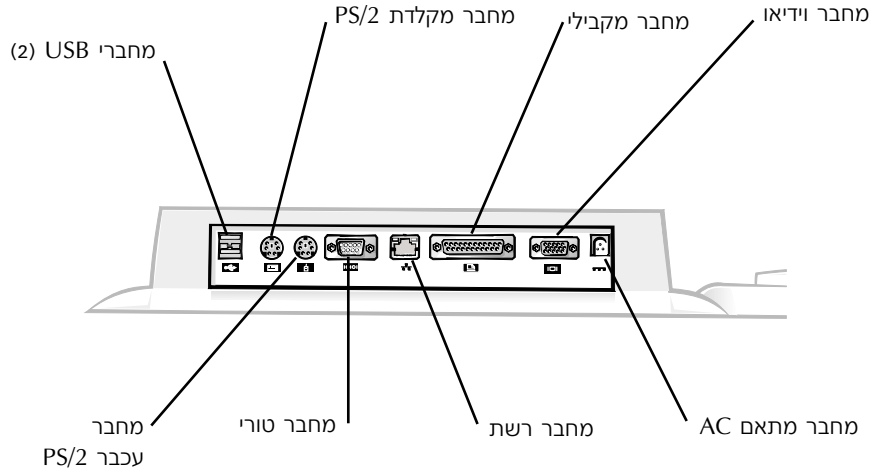
סקירה על התקן העגינה

 **הערה:** עליך להודיע למנהל הרשת שלך לפני חיבור התקן העגינה לרשת.

עליך לחבר מתאם AC (זרם חילופין) להתקן העגינה לפני עגינת המחשב להתקן העגינה ולפני הדלקת המחשב. מתאם ה- AC מפעיל את התקן העגינה ואת המחשב בו זמנית. כל סוללה המותקנת במחשב נטענת בעת השימוש בהתקן העגינה.

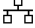
התראה: עליך להשתמש תמיד במתאם Dell PA-6 AC המצורף להתקן העגינה. אם תשתמש במתאם AC מסחרי אחר - או במתאם AC מדגמים ישנים של מחשבי Dell - התקן העגינה או המחשב עשויים להינזק.

לוח קלט/פלט של התקן העגינה

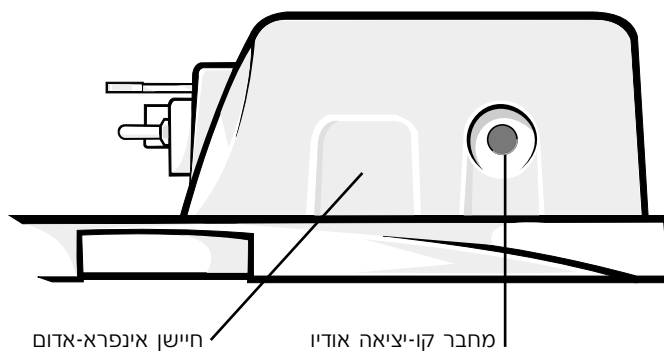


טבלת "מחברי קלט/פלט חיצוני" מציג את הסמלים של המחברים בצדו האחורי של ה - APR, ומציין את סוג ההתקן(ים) החיצוני(ים) שניתן לחבר לכל מחבר.

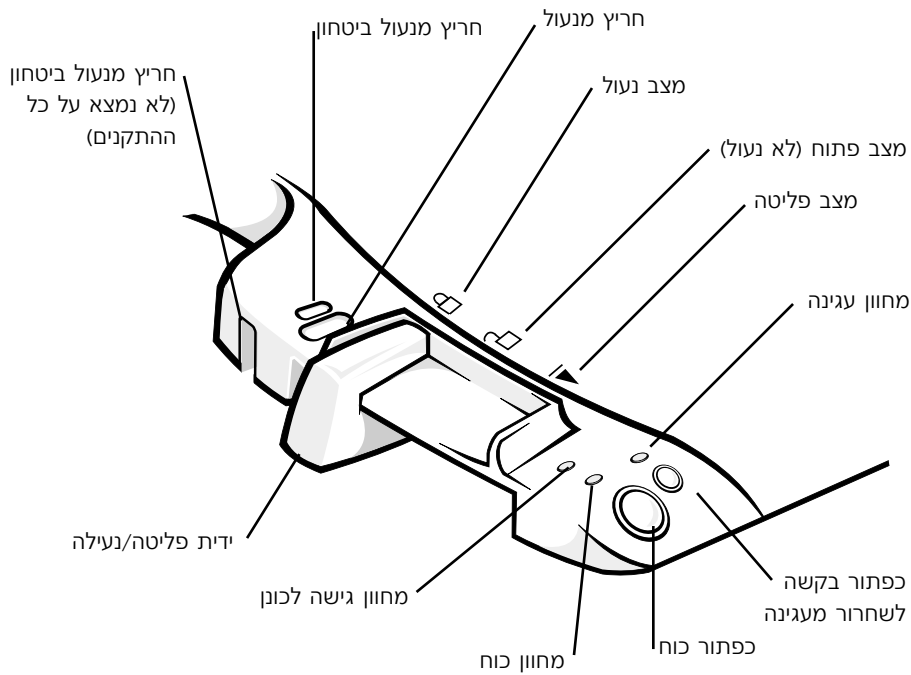
מחברי קלט/פלט חיצוניים

סמל מחבר	תיאור מחבר
	התקן USB אחד או יותר, כגון עכבר USB, מתחברים למחבר ה-USB הזוגי.
	ניתן לחבר מקלדת חיצונית מסוג PS/2, או מקלדת נומרית חיצונית למחבר מקלדת PS/2.
	ניתן לחבר עכבר חיצוני תואם PS/2 למחבר עכבר PS/2.
10101	ניתן לחבר התקן טורי, כגון עכבר טורי או מודם חיצוני, למחבר היציאה הטורית.
	יש לחבר כבל ממשק רשת למחבר NIC.
	יש לחבר התקן מקבילי, כגון מדפסת, ליציאת המחבר המקבילי
	יש לחבר צג חיצוני למחבר הווידיאו.
	יש לחבר את מתאם ה-AC המצורף ל-APR מתחבר למחבר מתאם ה-AC.

מחברי אודיו וחיישן אינפרא-אדום

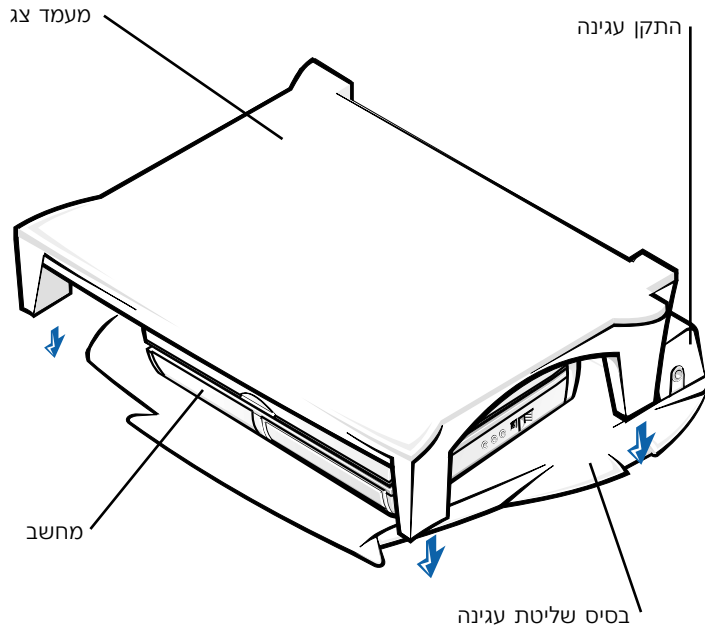


שלטים ומחוונים של בסיס התקן העגינה



מעמד הצג

התראה: המעמד תומך בצגים שמשקלם עד 45.3 קילוגרם (ק"ג) (100 פאונד [lb]). צגים כבדים יותר עשויים לגרום נזק למעמד, למחשב, ולהתקן העגינה.



הערה: ודא שהרגליים האחוריות של מעמד הצג מתחברות לחריצים בשני צדי בסיס שליטת העגינה.

לפני עגינת המחשב

אם מערכת הפעלה של המחשב שלך הינה Microsoft® Windows® 9X או Windows NT® או מערכת הפעלה Windows Millennium (Me), עליך לבדוק תחילה אם קיימים מנהלי התקן (דרייברים) של התקני עגינה במחשב שלך. אם אין במחשב את הדרייברים של התקן העגינה, עליך להתקין אותם לפני ביצוע עגינה ראשונית של המחשב. כדי להתקין דרייברים לעגינה, עקוב את השלבים של "התקנת דרייברים לעגינה".

הערה: אם מערכת ההפעלה של המחשב שלך הינה Windows XP או Windows 2000, הדרייברים מותקנים אוטומטית ואין צורך בביצוע השלבים של "התקנת דרייברים לעגינה". גש אל "עגינת המחשב שלך".

בדוק אם קיימים דרייברים לעגינה במחשב שלך

- 1 לחץ לחיצה כפולה על **המחשב שלי**.
 - 2 לחץ לחיצה כפולה על **לוח הבקרה**.
 - 3 לחץ לחיצה כפולה על **הוספת/הסרת תכניות**.
 - 4 אתר את הדרייברים לעגינה המתאימים מרשימת התוכניות.
- ל - Windows 9x ו - Windows Me, אתר את הדרייבר שבשמו מופיע **Quick Install** (התקנה מהירה). לדוגמה: Dell Dock Quick Install for Windows.
- עבור *Windows NT*, אתר את **NT Softex Docking Services**.
- אם הדרייברים לעגינה אינם נמצאים במחשב שלך, עבור לפרק הבא "התקנת דרייברים לעגינה". אם הדרייברים לעגינה נמצאים במחשב שלך, גש לפרק "עגינת המחשב שלך".

התקנת הדרייברים לעגינה

ניתן להתקין את הדרייברים לעגינה באמצעות אחת מהשיטות הבאות:

- התקן את הדרייברים מתקליטור *ResourceCD* או תקליטור *Drivers and Utilities* המצורף למחשב שלך או להתקן העגינה.
- הורד את הדרייברים מאתר התמיכה של Dell.

התקנת הדרייברים לעגינה מתקליטורי ResourceCD או Drivers and Utilities

- 1 הכנס את תקליטור *ResourceCD* או *Drivers and Utilities* לכונן התקליטורים. לרוב, התקליטור יתחיל לפעול באופן אוטומטי. אם התקליטור אינו מתחיל לפעול, הפעל את Windows Explorer, לחץ על ספריית כונן התקליטורים שלך כדי להציג את תוכן התקליטור, ולאחר מכן, לחץ לחיצה כפולה על קובץ **autorcd**. אם מסך התחלתי מופיע, לחץ **הבא**. בפעם הראשונה שתפעיל את התקליטור, עשויה להופיע הנחיה להתקנת קבצי הגדרות. לחץ **אישור** ועקוב אחר ההוראות על המסך להמשך.

2 מהתפריט הנשלף **שפה** הנמצא על שורת הכלים, בחר את השפה הרצויה עבור הדרייבר (אם השפה זמינה).
מסך התחלתי מופיע.

3 לחץ **הבא**.

4 מ - **קריטריונים לחיפוש**, בחר את הנושאים המתאימים מהתפריטים הנשלפים של **דגם מערכת ו- מערכת הפעלה**.

אם מערכת ההפעלה שלך הינה *Windows 9x* או *Windows Me*, בחר **System Utilities**, בחר **Device Type**, ובחר ב - **Drivers** מהתפריט הנשלף של **Topic** (נושא).

אם מערכת ההפעלה שלך הינה *Windows NT*, בחר **System Utilities** מהתפריט הנשלף של **Device Type**, ובחר ב - **Utilities** מהתפריט הנשלף של **Topic** (נושא).

קישורים (יופיעו) עבור הדרייבר או תוכנית השרות הנמצאים בשימוש במחשב שלך.

5 אם מערכת ההפעלה שלך היא *Windows 9x* או *Windows Me*, לחץ על הקישור של תוכנית השירות **Dell Dock QuickInstall**.

הקובץ **Dell Dock Quick Install** הוא תוכנית שירות המתקין במחשב את הדרייברים הדרושים לעגינה.

אם מערכת ההפעלה שלך היא *Windows NT*, לחץ על הקישור של **Softex Docking Services**.

6 לחץ על כפתור **ההתקנה** כדי להתחיל בהתקנה אוטומטית. עקוב אחר ההנחיות המופיעות על המסך ההתחלתי, כדי לסיים את ההתקנה.

הערה: בתקליטורי ResourceCD מסוימים עשוי להיות צורך במעבר בין תיקיות כדי לאתר את הדרייבר הדרוש. להוראת מפורטות בנושא התקנה מחדש של דרייברים, עיין במדריך למשתמש.



התקנת הדרייברים לעגינה באמצעות אתר התמיכה של Dell

1 גש לאתר התמיכה של Dell ב - <http://support.dell.com> אם זה הביקור הראשון שלך באתר, ציין את הארץ שלך על ידי לחיצה על המפה.
דף **Welcome to support.dell.com** נפתח.

- 2 הזן את המידע אודות התקן העגינה שלך, ולחץ על **GO!**
לחץ על **Downloads for your Dell** (הורדות עבור ה - Dell שלך).
- בחון **הורדות עבור ה - Dell שלך** מופיע, וכולל טופס קצר שעליך למלא.
- 3 הקש את מספר תג השרות של המערכת שלך, או בחר את מערכת ה - Dell שלך.
- 4 בחר את מערכת ההפעלה ושפת מערכת ההפעלה שלך.
- 5 בחר ב - **System and Configuration Utilities** (תוכניות שירות והגדרת תצורת מערכת) כסוג ההורדה.
- 6 לחץ **Go!**
- 7 אם מערכת ההפעלה שלך היא *Windows 9x* או *Windows Me*, אתר ולחץ על הקישור של תוכנית השירות **Dell Dock QuickInstall**.
- אם מערכת ההפעלה שלך היא *Windows NT*, אתר ולחץ על הקישור עבור **Softex Docking Services**.
- 8 עקוב אחר ההוראות שעל המסך כדי להוריד ולהתקין את הדרייברים הדרושים.
- 9 לאחר הורדת הקבצים ולפני התקנת הדרייברים, עליך לעיין בקובץ **readme.txt** המצורף לקבצים שהורדו, לקבלת מידע חשוב בנושא ההתקנה.

עגינת המחשב שלך

אם תחבר צג להתקן העגינה ותדליק את הצג, תמונת המסך תופיע על הצג. כדי להעביר את התמונה למסך המחשב, או כדי שהתמונה תופיע על הצג ועל מסך המחשב, לחץ על **<Fn> <F8>**.
בעת ביצוע עגינת המחשב להתקן העגינה, ולאחר הדלקת המחשב, נורית הכוח הירוקה הנמצאת על בסיס התקן העגינה נדלקת (ראה "שלטים ומחווים של בסיס התקן העגינה").

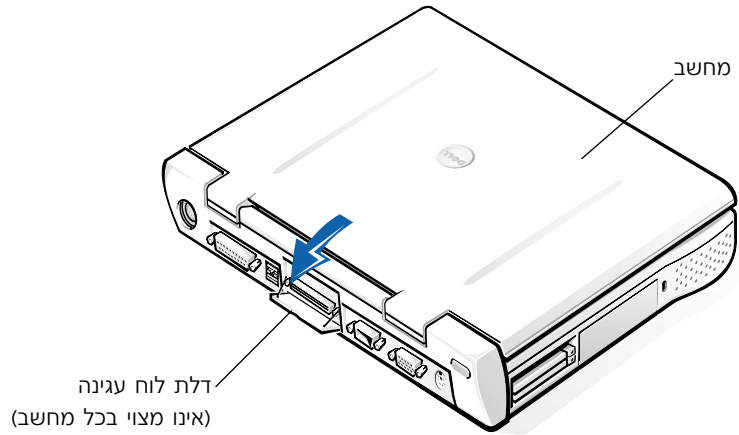
התראה: כדי להימנע מאיבוד נתונים, שמור את הקבצים הפתוחים לפני עגינת המחשב.

1 שמור את כל הקבצים, סגור וצא מכל היישומים, צא ממערכת ההפעלה וכבה את המחשב

התראה: עליך לפתוח את דלת לוח העגינה לפני עגינת המחשב להתקן העגינה, כדי שמחבר העגינה לא יינזק.

2 אם למחשב יש דלת לוח עגינה, פתח את דלת לוח העגינה בצדו האחורי של המחשב.

דלת לוח עגינה על המחשב

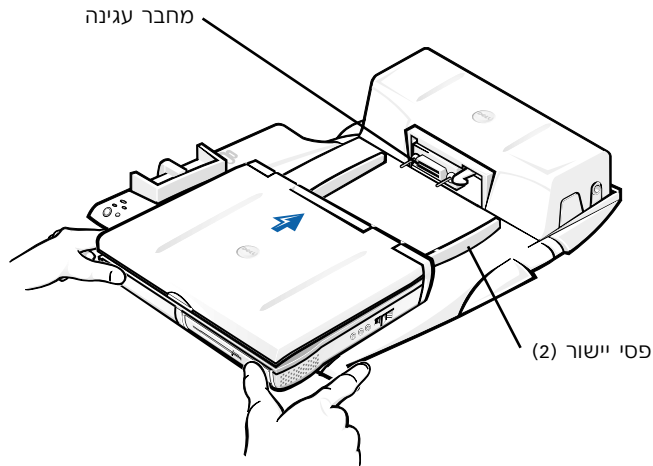


3 אם אתה משתמש בהתקן העגינה עם מעמד צג, סגור את צג המחשב

4 ודא שידית פליטה/נעילה נמצאת במצב פתוח (לא נעול).

5 עגן את המחשב להתקן העגינה כדלהלן:


עגינת המחשב



- א** יש למרכז את המחשב במצב מאונך על פלטפורמת ה-APR, כאשר צדו האחורי של המחשב מופנה כלפי מחבר העגינה של התקן העגינה, כפי שמוצג ב- "עגינת המחשב".
- ב** החלק את המחשב לכיוון המחבר, כדי שהמסילות בחלקו התחתון של המחשב יתחברו אל פסי היישור.
- התראה:** אם תנסה לדחוף את המחשב לתוך התקן העגינה מבלי להתחבר לפסי היישור, הנזק שעשוי להיגרם למחבר העגינה יהיה בלתי הפיך.
- התראה:** אסור להרים את המחשב או את התקן העגינה בנפרד כשהם מחוברים, מכיוון שהמחברים על המחשב ועל התקן העגינה עשויים להיזק.
- התראה:** אם אתה משתמש בצג עם מעמד צג, הורד את הצג מהמעמד לפני הצבת בסיס התקן העגינה במקומו.
- ג** דחוף את המחשב קדימה בעדינות עד שמחבר העגינה מתחבר במלואו.

עגינה ראשונית באמצעות Windows XP ו- Windows 2000

- 1 עגן והדלק את המחשב שלך.
 - 2 לחץ <F2> בעת אתחול המערכת כדי לעיין בתוכנית הגדרות המערכת.
 - 3 עליך להגדיר את ה- **Docking IRQ** (בקשת פסיקת עגינה) כאופטימלית.
 - 4 עליך להגדיר את החיבור האוניברסלי כזמין.
 - 5 צא מתוכנית הגדרות המערכת.
- המערכת תמשיך בתהליך האתחול.
- ב - Windows 2000, **אשף הוספת חומרה חדשה** מופיע.

 **הערה:** אם מערכת ההפעלה שלך הינה *Windows XP*, הדרייברים יותקנו באופן אוטומטי. אם מערכת ההפעלה שלך היא *Windows 2000*, **אשף הוספת חומרה חדשה** מתקין את הדרייברים באופן אוטומטי.

עגינה ראשונית באמצעות Windows Me

- 1 עגן והדלק את המחשב שלך.
 - 2 לחץ <F2> בעת אתחול המערכת כדי לעיין בתוכנית הגדרות המערכת.
 - 3 עליך להגדיר את ה- **Docking IRQ** (בקשת פסיקת עגינה) כאופטימלית.
 - 4 עליך להגדיר את החיבור האוניברסלי כזמין.
 - 5 צא מתוכנית הגדרות המערכת.
- המערכת תמשיך בתהליך האתחול.
- אשף **הוספת חומרה חדשה** מופיע.
- 6 בחר ב- **חפש את הדרייבר הטוב ביותר עבור ההתקן שלך (מומלץ)** ולחץ **הבא**.
 - 7 לחץ **הבא**.
 - 8 עקוב אחר ההנחיות המופיעות באשף **הוספת חומרה חדשה**.
 - 9 כאשר תתבקש, בחר ב- **חפש את הדרייבר הטוב ביותר עבור ההתקן שלך (מומלץ)** ולחץ **הבא**.
 - 10 המשך לעקוב אחר ההוראות כדי לסיים את ההתקנה.
- שולחן העבודה של Windows מופיע וההתקנה מסתיימת.

עגינה ראשונית באמצעות Windows NT 4.0.

- 1 עגן והדלק את המחשב שלך.
- 2 כדי לעיין בתוכנית הגדרת המערכת, לחץ על <F2> בעת אתחול המערכת, או על <Fn> <F1> לאחר אתחול המחשב.
- 3 עליך להגדיר את ה- **Docking IRQ** (בקשת פסיקת עגינה) **כאופטימלי**.
- 4 עליך להגדיר את החיבור **האוניברסלי כזמין**.
- 5 צא מתוכנית הגדרות המערכת.
- 6 לחץ <Alt> <Ctrl> כדי להתחבר.
- 7 חלון **התקנת תחנת עגינה** מופיע ומציין שיש לבטל את עגינת המחשב כדי שניתן יהיה להמשיך.
- 8 לחץ **אישור** והמתן לכיבוי המחשב.
- 9 בטל את עגינת המחשב (ראה ביטול עגינת המחשב).
- 10 המחשב נדלק מחדש באופן אוטומטי. אם המחשב לא נדלק מחדש באופן אוטומטי, עליך להדליק אותו.
- 11 לחץ **התחל** ובחר ב- **כיבוי**.
- 12 המתן לכיבוי מושלם של המחשב ועגן מחדש את המחשב להתקן העגינה.
- 13 המחשב נדלק מחדש באופן אוטומטי. אם המחשב לא נדלק מחדש באופן אוטומטי, עליך להדליק אותו.
- 14 לחץ <Alt> <Ctrl> כדי להתחבר.
- 15 המחשב מאתר התקנים חדשים באופן אוטומטי.
- 16 כאשר תתבקש, בחר ב- **התקנת דרייבר מהמערכת עבור ההתקן הנבחר (מומלץ)** ולחץ **אישור**.
- 17 לחץ **המשך** בחלון ההתקנה של **Windows NT**.
- 18 בחר ב- **התקן דרייבר מהמערכת עבור ההתקן הנבחר (מומלץ)** ולחץ **אישור**.
- 19 בחר בשם בקר ממשק הרשת (NIC) מהתפריט הנפתח.
- 20 בחר באם מתאם הרשת צריך להשיג כתובת IP משרת, או שכתובת ה- IP כבר מפורטת. אם אינך יודע באיזו אפשרות לבחור, פנה אל מנהל המערכת שלך.
- 21 עקוב אחר ההנחיות כדי לסיים את ההתקנה.
- 22 שולחן העבודה של Windows מופיע וההתקנה מסתיימת.
- 23 המחשב אינו יכול להיכנס למצב השהיה לדיסק בזמן עגינה.

עגינה ראשונית באמצעות Windows 98.

- 1 עגן והדלק את המחשב שלך.
 - 2 כדי לעיין בתוכנית הגדרת המערכת, לחץ על F2 בעת אתחול המערכת, או על <Fn> <F1> לאחר אתחול המחשב.
 - 3 עליך להגדיר את ה - **Docking IRQ** (בקשת פסיקת עגינה) **כאופטימלי**.
 - 4 עליך להגדיר את החיבור **האוניברסלי כזמין**.
 - 5 צא מתוכנית הגדרות המערכת.
 - 6 המחשב מאתר חומרה חדשה באופן אוטומטי.
 - 7 לחץ **אישור** בחלון **הגדרת תצורה**.
 - 8 לחץ **אשף הוספת חומרה חדשה** מופיע.
 - 7 לחץ **הבא**.
 - 8 בחר ב - **חפש את הדרייבר הטוב ביותר עבור ההתקן שלך (מומלץ)** ולחץ **הבא**.
 - 9 הסר את הסימון המופיע ליד כל אופציה ולחץ **הבא**.
 - 10 חלון מופיע ומציין ש - Windows מוכנה לאתר את הדרייבר הטוב ביותר עבור ההתקן שלך.
 - 10 עקוב אחר ההנחיות המופיעות **באשף הוספת חומרה חדשה**.
 - 11 כאשר תתבקש, בחר ב - **חפש את הדרייבר הטוב ביותר עבור ההתקן שלך (מומלץ)** ולחץ **הבא**.
 - 12 המשך לעקוב אחר ההנחיות כדי לסיים את ההתקנה.
- שולחן העבודה של Windows מופיע וההתקנה מסתיימת.

עגינה ראשונית באמצעות Windows 95.

- 1 עגן והדלק את המחשב שלך.
 - 2 כדי לעיין בתוכנית הגדרת המערכת, לחץ על <F2> בעת אתחול המערכת, או על <F1> <Fn> לאחר אתחול המחשב.
 - 3 עליך להגדיר את ה- Docking IRQ (בקשת פסיקת עגינה) כאופטימלי.
 - 4 עליך להגדיר את החיבור האוניברסלי כזמין.
 - 5 צא מתוכנית הגדרות המערכת.
 - 6 המחשב מאתר חומרה חדשה באופן אוטומטי.
 - 7 לחץ **כן** בחלון שינוי הגדרות מערכת.
 - 8 המחשב נדלק מחדש ומאתר חומרה חדשה באופן אוטומטי.
 - 9 לחץ **אישור** בחלון ה- **רשת**.
 - 10 בחר בלשונית **זיהוי** בחלון ה- **רשת** הבא.
 - 11 הקש **שם מחשב** ו**קבוצת עבודה** שיהיו את המחשב שלך ברשת, ולחץ **סגור**.
אם אינך בטוח בשם המחשב וקבוצת העבודה שעליך לבחור, ודא זאת עם מנהל המערכת שלך.
-  **הערה:** הקש שם מחשב וקבוצת עבודה כדי להמשיך בהתקנת הדרייבר. המחשב מעתיק קבצים באופן אוטומטי ובונה מסד נתוני מידע של דרייברים.
- 10 לחץ **אישור** בחלון **הגדרת תצורה**.
 - 11 עקוב אחר ההנחיות כדי לסיים את ההתקנה.
- שולחן העבודה של Windows מופיע וההתקנה מסתיימת.
-  **הערה:** כדי להשתמש במחברי USB, עליך להתקין את ההשלמה של ה- USB מספריית Win95/OSUpdate מתקליטור ResourceCD. אם אתה מתקין את ההשלמה של ה- USB, המחשב שלך אינו יכול להיכנס למצב השהיה. Dell ממליצה להתקין את ההשלמה ל- USB רק אם אתה מתכוון להשתמש בהתקני USB.

עדכון דרייברים ב - Windows XP ו- Windows 2000

לעדכון דרייברים ב - Windows XP ו- Windows 2000:

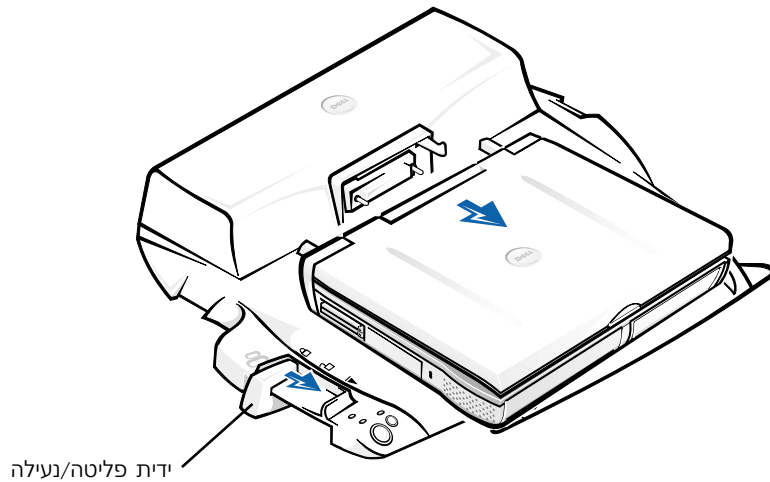
- 1 לחץ לחיצה ימנית על סמל **המחשב שלי** ולחץ על **Manage** (שליטה). (ב - Windows XP, לחץ על כפתור **התחל** כדי לגשת ל**מחשב שלי**. ב - Windows 2000, **המחשב שלי** נמצא על שולחן העבודה של Windows).
- 2 בחלון **Computer Management** (שליטה במחשב), לחץ על **Device Manager** (מנהל התקן), ולחץ לחיצה כפולה על **Network adapters** (מתאמי רשת).
- 3 לחץ לחיצה כפולה על **3Com 3C920 Integrated Fast Ethernet Controller** (בקר אתרנט משולב מהיר 3C920 של 3Com).
- 4 לחץ על לשונית **דרייבר**.
- 5 לחץ **עדכון דרייבר** ועקוב אחר ההנחיות.

עדכון דרייברים ב - Windows Me

לעדכון דרייברים ב - Windows Me:

- 1 לחץ לחיצה-ימנית על סמל **המחשב שלי** שעל שולחן העבודה ולחץ **מאפיינים**.
- 2 בחלון **System Properties** (מאפייני מערכת), לחץ על לשונית **Device Manager** (מנהל התקן), ולחץ לחיצה כפולה על **Network adapters** (מתאמי רשת).
- 3 לחץ לחיצה כפולה על **3Com 3C920 Integrated Fast Ethernet Controller** (בקר אתרנט משולב מהיר 3C920 של 3Com).
- 4 לחץ על לשונית **דרייבר**.
- 5 לחץ **עדכון דרייבר** ועקוב אחר ההנחיות.

ביטול עגינת המחשב



התראה: אם המחשב אינו מקבל הזנת כוח מסוללה, המחשב יכבה בעת ביטול העגינה, ונתונים שלא נשמרו, יאבדו.

התראה: איו לבטל את עגינת המחשב מבלי להכין את המחשב לכך תחילה. אם תבטל את העגינה לפני הכנת המחשב לכך, תאבד נתונים, והמחשב עשוי שלא לפעול בצורה סדירה במשך מספר דקות, אם בכלל.

הכן את המחשב לביטול עגינה, בהתאם לאחת השיטות הבאות:

- לחץ **<Fn> <Esc>** על מקלדת המחשב (או **<Esc> <Scroll Lock>** על מקלדת חיצונית). המתן מספר שניות לכיבוי נורית הכוח של המחשב.
- ב - *Windows XP*, לחץ על כפתור **התחל** ולאחר מכן לחץ על **ביטול עגינת המחשב**.
ב - *Windows 95, Windows 98, Windows Me, Windows 2000*, לחץ על כפתור **התחל**, ולאחר מכן לחץ על **Eject PC (פליטת מחשב)**.
- ב - *Windows NT*, לחץ על סמל העגינה שעל שורת הכלים, ולאחר מכן לחץ **ביטול עגינה**, כדי שהמחשב ייכנס למצב השהייה.
המתן מספר שניות לכיבוי נורית הכוח של המחשב.
- לחץ על כפתור בקשת ביטול עגינה שעל בסיס התקן העגינה (ראה את האזור "שלטים ומחווים של בסיס שליטת העגינה"). המתן לכיבוי אור העגינה הירוק.

אבטחת תחנת ההרחבה של C/Dock

מאפייני אבטחה

התקן העגינה כולל את מאפייני האבטחה הבאים:

- ידית פליטה/יציאה המאפשרת לך לאבטח ולפלוט את המחשב. בעמדת מצב אחורי ניתן לאבטח את המחשב ל - C/Port II APR. בעמדת מצב אמצעי, ניתן להשתמש בהתקן העגינה בלי לאבטח אותו. המצב הקדמי פולט את המחשב מהתקן העגינה. העבר את ידית הפליטה/נעילה למצב אחורי, כדי להשתמש במנעול האבטחה ובחריץ מנעול האבטחה.
- מנעול קפיצי הנמצא בצדו הקדמי של הבסיס, נכנס אל תוך חריץ אבטחה הנמצא בתחתית המחשב ומצמיד את המחשב אל בסיס שליטת העגינה. רק בדגמים מסוימים של מחשבי Dell ניתן למצוא את חריץ האבטחה.
- כפתור פליטה מאובטח של תא מדיה החוסם אפשרות הסרה של התקני תא מדיה.
- מנעול בריח מודמם המרתיע מהסרת המחשב ללא הרשאה.

אבטחת תחנת ההרחבה C/Port II APR

השתמש באחת השיטות הבאות כדי לאבטח את התקן העגינה:

- השתמש במנעול בלבד, או במנעול וכבל אבטחה מסוג לולאה, עם חריץ המנעול שעל התקן העגינה (ראה איור "שלטים ומחוונים של בסיס שליטת העגינה"). השימוש במנעול בלבד, חוסם את ידית הפליטה ומקשה על ניתוק המחשב מהתקן העגינה. כבל אבטחה (לולאה) עם מנעול הקשור סביב חפץ נייח, עשוי למנוע הזזה ללא הרשאה של המחשב ושל תחנת ההרחבה C/Port II APR.
- חבר התקן מסחרי למניעת גניבות לחריץ מנעול האבטחה (ראה איור "שלטים ומחוונים של בסיס שליטת העגינה") שעל התקן העגינה. לרוב, כוללים התקנים נגד גניבות כבל עשוי מחוטי מתכת בעל התקן נעילה ומפתח. Dell ממליצה על שימוש במנעול Kensington. להוראות התקנה עבור התקן זה, עיין בתיעוד המצורף להתקן.

תוכניות אבחון של Dell

תוכניות האבחון של Dell המצורפות למחשב ה- Dell Latitude כוללות בדיקות המסייעות לך לפתור תקלות של הבקרים בהתקן העגינה שלך.

הבדיקות המשניות בקבוצת הבדיקות של **ממשק הרשת** בבדיקות האבחון של Dell, מוודאות את הפעולות הבסיסיות של בקר ברשת בהתקן העגינה. הן בודקות את התפקודים הפנימיים של הבקר, ובכללם גישה לקריאה וכתיבה אל האוגרים ויכולת שידור וקליטה (לולאה חוזרת) פנימיים.

הבדיקות המשניות בקבוצת הבדיקות של היציאות **הטורי/אינפרא-אדום**, בודקים את ממשק התקן העגינה עם התקנים חיצוניים (כגון עכבר טורי או מדפסת). הבדיקות המשניות בקבוצה זו אינן מיועדות לשמש כבדיקת אבחון של ההתקן החיצוני.

הבדיקות המשניות בקבוצת הבדיקות של ה- **USB**, בודקות את הממשק שבין התקן העגינה והתקנים חיצוניים (כגון עכבר). הבדיקות המשניות בקבוצה זו אינן מיועדות לשמש כבדיקת אבחון של ההתקן החיצוני.

להוראות מפורטות על השימוש בבדיקות האבחון של Dell, עיין במדריך למשתמש של המחשב שלך.

מפרט טכני

מפרט טכני

פיזי

גובה:

כולל מעמד צג 10.2 ס"מ (4.0 אינצ') עוצמת הזרם

עצמאי 5.8 ס"מ (2.3 אינצ')

עומק:

כולל מעמד צג 39.0 ס"מ (15.4 אינצ')

עצמאי 35.8 ס"מ (14.1 אינצ')

רוחב:

כולל מעמד צג 40.9 ס"מ (16.1 אינצ')

עצמאי 37.5 ס"מ (14.8 אינצ')

משקל:

כולל מעמד צג 3.0 ק"ג (6.5 ליברות)

עצמאי 1.6 ק"ג (3.5 ליברות)

כוח

קלט מתאם AC:

מתח Hz 50-60, VAC 100-200

עוצמת הזרם A 1.5

קלט תחנת הרחבה APR II

מתח דרוש VDC 20 ממתאם AC

עוצמת הזרם A 3.5

קלט/פלט

טורי (DTE) תואם -16550, מחבר מאגר 16 בית (byte)

מקבילי חד-כיווני, דו-כיווני, או מחבר ECP

PS/2 שני מחברי DIN מיני

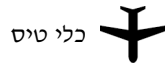
USB שני מחברים תואמי - USB

מפרט טכני

אינפרא-אדום	חיישן אינפרא-אדום התואם לתקני IrDA 1.1 (Fast IR) and 1.0
קו יציאה אודיו	שקע אודיו, (האוזניות הן אופציה)
וידיאו	מחבר אחד
רשת	מחבר RJ45 אחד
עגינה (לחיבור למחשב)	מחבר אחד
בקר רשת אתרנט	
קבוצת שבבים	3Com [®] 3C920; 10/100 BASE-TX (תואם PC99)
רוחב פס נתונים	ממשק קו מארח PCI 32 סיביות
בקשת פסיקה	בקשת פסיקה 10

הוראות בטיחות ותאימות אלקטרומגנטית: מחשבים נישאים

המידע המופיע בהמשך, מגדיר סמלים נוספים הנמצאים בשימוש בהוראות הבטיחות והתאימות האלקטרומגנטי בלבד.



כלי טיס

סכנת פיצוץ



עשוי לחול איסור על שימוש בתכונה זו בכלי טיס.



סכנת שריפה



סכנת התחשמלות






הוראות בטיחות







כללי

- בעת התקנת ה-APR לצורך עבודה, הנח אותו על שטח מישורי.
- הטיפול ב- APR הנו באמצעות טכנאי שרות מוסמך בלבד. עקוב תמיד אחר הוראות ההתקנה.
- אם אתה משתמש בכבל כוח מאריך עם המתאם AC שלך, ודא שאומדן האמפר הכללי של המוצרים המחוברים לכבל המאריך, אינו עולה על אומדן האמפר של הכבל מאריך.
- אין להכניס חפצים לפתחי האוורור או לפתחים נוספים של המחשב שלך. פעולות אלו עשויות לגרום לשריפה או להחשמלות כתוצאה מקצר חשמלי ברכיבים פנימיים.



- 
 • מקם את מתאם ה- AC במקום מאוורר, כגון שולחן עבודה או על הרצפה, בעת השימוש בו להפעלת המחשב או טעינת הסוללה. אין לכסות את מתאם ה- AC בנייר או פריטים אחרים המפחיתים את הקירור, ובנוסף, אין להשתמש במתאם הנמצא בתוך תיק נשיאה.
- 
 • אין להשתמש במחשב בסביבה רטובה, לדוגמה, ליד אמבטיה, כיור, בריכת שחיה או במרתף רטוב.
- 
 • כדי להימנע מסכנה אפשרית של התחשמלות, אין לחבר או לנתק כבלים כלשהם, ואין לבצע אחזקה או שינוי תצורה של המוצר בזמן סופת ברקים. אין להשתמש במחשב בזמן סופת ברקים, אלא באם נותקו כל הכבלים והשימוש במחשב הנו באמצעות סוללה בלבד.
- השתמש רק במתאם AC ובסוללות שאושרו לשימוש עם התקן עגינה זה, כפי שמצוין במסמך זה. השימוש בסוג אחר של מארז סוללה או מתאם AC עשוי לגרום לשריפה או להתפוצצות
- לפני שאתה מנקה את תחנת העגינה, כבה אותו ונתק את מתאם ה- AC מהשקע החשמלי. יש לנקות את תחנת העגינה עם מטלית רכה, לחה ממים. אין להשתמש בחומרי ניקוי נוזלי או חומרים הניתנים לריסוס, העשויים להכיל חומרים דליקים.

כוח (הוראות בטיחות)

- השתמש רק במתאם AC המסופק על ידי Dell ומאושר לשימוש עם APR זה. שימוש במתאם AC אחר עשוי לגרום לשריפה או להתפוצצות.  
- לפני חיבור ה- APR לשקע חשמלי, ודא את סוג מתאם ה- AC כדי לוודא שהמתח החשמלי והתדר, מתאימים למקור הכוח הזמין.
- כדי לנתק את הכוח מהמחשב, כבה את המחשב ונתק את המתאם AC מהשקע החשמלי.
- למניעת התחשמלות, חבר את מתאם ה- AC ואת כבלי הכוח ההיקפי למקורות כוח המוארקים כנדרש. כבלי כוח אלו עשויים להיות בעלי תקע משולש, כדי לספק הארקה כנדרש. אסור להשתמש בתקעים תואמים ואין להסיר את שן ההארקה מתקע כבל הכוח. אם הנך משתמש בכבל כוח מאריך, השתמש בסוג המתאים, בעל שתי שיניים או שלוש שיניים, כדי שיתאים למתאם ה- AC של כבל הכוח.
- ודא שדבר לא מונח על כבל הכוח של מתאם ה- AC שלך, ושהכבל אינו נמצא במקום בו ניתן למעוד או לדרוך עליו.
- אם הנך משתמש בפס כוח מרובה שקעים, עליך להיזהר בעת חיבור כבל הכוח של המתאם בפס הכוח. פסי כוח מסוימים עשויים לאפשר לך לחבר את התקע באופן שגוי. הכנסה שגויה של תקע הכוח עשויה לגרום לנזק בלתי הפיך במחשב שלך, ולסכנת התחשמלות ו/או שריפה. ודא הכנסת שן ההארקה של כבל הכוח לשקע ההארקה המתאים בפס הכוח.  

תקנות

הפרעה אלקטרומגנטית (EMI) היא כל אות או פליטה המוקרנים באזורים פתוחים או מובלים בקווי מתח או במוליכי אותות, המסכנים את התפקוד של ניווט רדיו או שירות בטיחותי אחר, או מבוה, חוסם או מפריע באופן תדיר ובצורה משמעותית לשירות תקשורת רדיו מורשה. שירותי תקשורת רדיו כוללים, אך אינם מוגבלים, לשידורים מסחריים של AM/FM, טלוויזיה, שירותים סלולאריים, מכ"מ, בקרה אווירית, ביפרים, ולשירותי תקשורת אישיים (PCS). שירותים מורשים אלו, בנוסף להקרנות לא מכוונות, כגון שירותים דיגיטליים, כולל מחשבים, תורמים לסביבה האלקטרומגנטית

תאימות אלקטרומגנטית (EMC) היא היכולת של פריטי ציוד אלקטרוני לתפקד במשותף בסביבה האלקטרונית. למרות שמחשב זה עוצב ונקבע כתואם למגבלות של תקנות EMI, אין ערובה לכך שלא תהיינה הפרעות בעת התקנה מסוימת. אם ציוד זה גורם להפרעות בשירותי תקשורת רדיו, כפי שניתן לקבוע על יד הדלקה וכיבוי של הציוד, ניתן לנסות ולבטל את ההפרעות באמצעות אחד או יותר מהאמצעים הבאים:

- כוונן מחדש את אנטנת הקליטה.
 - מקם מחדש את המחשב, תוך התחשבות במיקום המקלט.
 - הרחק את המחשב מהמקלט.
 - חבר את המחשב לשקע אחר כך שהמחשב והמקלט יהיו מחוברים במעגלים שונים.
- בעת הצורך, התייעץ עם נציג תמיכה טכנית של Dell או עם טכנאי טלוויזיה/רדיו מנוסה לקבלת ייעוץ נוסף.

מחשבי Dell מעוצבים, נבדקים ומסווגים בהתאם לסביבה האלקטרומגנטית לה הם מיועדים. ככלל, סיווגי סביבה אלקטרומגנטית אלו מתייחסים להגדרות המותאמות הבאות:

- Class A אופייני לסביבה עסקית או תעשייתית.
 - Class B אופייני לסביבת מגורים.
- ציוד טכנולוגיית מידע (ITE), הכולל התקנים, כרטיסי הרחבה, מדפסות, התקני קלט/פלט (I/O), צגים וכו', המשולבים או מחוברים למחשב, אמורים להתאים לסיווג הסביבה האלקטרומגנטית של המחשב.

הודעה בדבר כבלי אותות מוגנים: יש להשתמש רק בכבלים מוגנים כדי לחבר התקנים להתקן Dell כלשהו, כדי לצמצם את האפשרות של הפרעה בשירותי תקשורת רדיו. השימוש בכבלים מוגנים מבטיח שמירה על סיווג ה-EMC המתאים לסביבה לה הוא מיועד. ניתן להזמין מ - Dell כבל למדפסת מקבילית. אם אתה מעדיף, ניתן להזמין את הכבל מ-Dell מאתר האינטרנט <http://accessories.us.dell.com/>

רוב מחשבי Dell מסווגים לסביבות Class B. בכל אופן, הככלה של אופציות מסוימות עשויות לשנות את הדירוג של הגדרות תצורה מסוימות ל - Class A. כדי לקבוע את הסיווג האלקטרומגנטי של המחשב או ההתקן שלך, עיין בפרקים הבאים המתייחסים לתקנות של הרשויות המחוקקות. כל פרק מספק מידע שהנו ספציפי לארץ/מדינה, בנושא EMC/EMI או מידע בנושא בטיחות המוצר.

הודעת CE (האיגוד האירופאי)

סימון באמצעות הסמל **CE**, מציין שמחשב Dell זה כפוף להנחיית ה- EMC ול- "הנחיית מתח נמוך" של האיגוד האירופאי. סימון זה מצביע על כך שמערכת Dell זו עונה על התקנים הטכניים הבאים:

- EN 55022 - "מגבלות ושיטות מדידה של מאפייני הפרעות רדיו של ציוד טכנולוגיית מידע"
- EN55024 - "ציוד טכנולוגיית מידע - מאפייני חסינות - מגבלות ושיטות מדידה".
- EN 61000-3-2 - תאימות אלקטרומגנטית (EMC) - פרק 3: מגבלות - פרק 2: מגבלות לפליטה מתואמת עדכנית (זרם מבוא של ציוד, עד 16 אמפר לפזה, כולל)"
- EN 61000-3-3 - תאימות אלקטרומגנטית (EMC) - פרק 3: מגבלות - פרק 3: מגבלות של תנודות מתח והבהוב במערכות אספקה בעלות מתח נמוך עבור ציוד בעל זרם מדורג, עד 16 אמפר כולל.
- EN 60950 - "בטיחות של ציוד טכנולוגיית מידע".

הערה: EN 55022 דרישות פליטה מתאימות לשני סיווגים: 

- Class A מתאים לאזורים מסחריים אופייניים.
- Class B מתאים לאזורים ביתיים אופייניים.

התקן זה של Dell, מסווג לשימוש בסביבה ביתית אופיינית של Class B.

מסמך "הצהרת תאימות" הוכן בהתאם להנחיות והתקנות הנ"ל, ונמצא בידי Dell Computer Corporation Products Europe BV, Limerick, Ireland.

הודעת סמל CE

התקן זה תואם לדרישות של ה- European Directive 1999/5/EC

Printed in Mexico.
Vytištěno v Mexiku.
Trykt i Mexico.
Gedruckt in Mexico.
Painettu Meksikossa.
Imprimé au Mexique.
Gedruckt in Mexiko.
Stampato in Messico.
Trykket i Mexico.
Wydrukowano w Meksyku.
Отпечатано в Мексике.
Impreso en México.
Tryckt i Mexiko.
ודפסו במקסיקו



04G281 A01

P/N 4G281 Rev. A01

